

C-24

Coupe &
Sport Coupe

Owner's Manual



<https://www.boat-manuals.com/>

TABLE OF CONTENTS



Table Of Contents	2
Congratulations	3
Safety	3
Symbol Glossary	4
Specifications (Subject To Change Without Notice)	5
Equipment Location	6
Starboard Fittings	6
Port Fittings	7
Stern Components	8
Main Cabin And Cockpit Lights	9
Fuel System, Engine, Generator	10
Raw Water / Sea Strainer System	11
Fresh Water Plumbing System	12
Shower Sump	13
Bilge Pump System	14
Waste System With Macerator Pump	15
Air Conditioning	16
Webasto Furnace	17
Battery Configuration	18
Fuse Location & Values	19
AC Distribution Panel & Rotary Switch	20
12V Helm Control Operation	21
Cutwater C-24 Wiring Schematic (Acc. 1)	22
Cutwater C-24 Wiring Schematic (Acc. 2)	23
Cutwater C-24 Wiring Schematic (Acc. 3)	24
Cutwater C-24 Wiring Schematic (Lighting)	25
Cutwater C-24 Wiring Schematic (P.D.P.)	26
Cutwater C-24 Working Deck	27
Care And Maintenance	28
Example Of A Preparation For The Road Checklist	28
Example Of A Spring Pre-Launch Checklist	29
Example Of Winter Storage Checklist	30
Warning Label Locations	31

CONGRATULATIONS

The Cutwater family has a passion for boating. We are committed to continuous process improvement in all areas that affect our customer's satisfaction with our products and providing great customer service.

SAFETY

Safety is always a concern at Cutwater. Please read all manuals to ensure that equipment is used in a safe manner. We highly recommend attendance in a Coast Guard approved boating safety course. Such courses are available from the Coast Guard directly or from boating organizations. Owners should have annual inspections to ensure that all safety equipment is current.



WARNING

Operating, servicing and maintaining a recreational marine vessel can expose you to chemicals including engine exhaust, carbon monoxide, phthalates, and lead, which are known to the State of California to cause cancer and birth defects or other reproductive harm. To minimize exposure, avoid breathing exhaust, service your vessel in a well-ventilated area and wear gloves or wash your hands frequently when servicing this vessel. For more information go to www.P65warnings.ca.gov/marine.

SYMBOL GLOSSARY



Attention! – Important Operating or Maintenance Instructions



Attention! – Electrical Shock Hazard



Fresh Water



Black Water



Fuel



Standard Equipment



Optional Equipment



Hints

SPECIFICATIONS



C-24 Coupe

LOH (transom - bow)	23' 7"	7.2 m
LOA (motor down)	31' 4"	9.55 m
LOA (motor up)	33' 8"	10.26 m
Beam	8' 6"	2.6 m
Draft (motor down)	30"	.76 m
Draft (motor up)	19"	.48 m
Weight, dry	4,900 lbs	2,223 kg
Bridge clearance	9' 11"	3.0 m
Fuel capacity	116 U.S. Gal	439 L
Water capacity	22 U.S. Gal	83.27 L
Hot water tank	4 U.S. Gal	15.14 L
Holding tank capacity	11 U.S. Gal	42 L
Height on trailer	9' 11"	3.02 m
Height on trailer (with radar)	10' 7"	3.22 m
Bridge clearance (w/radar)	8' 2"	2.5 m
Bridge clearance (no radar)	7' 6"	2.28 m
Length on trailer (motor down)	34' 2"	10.41 m
Length on trailer (motor up)	36' 6"	11.12 m

C-24 Sport Coupe

LOH (transom - bow)	23' 7"	7.2 m
LOA (motor down)	31' 4"	9.55 m
LOA (motor up)	33' 8"	10.26 m
Beam	8' 6"	2.6 m
Draft (motor down)	30"	.76 m
Draft (motor up)	19"	.48 m
Weight, dry	4,900 lbs	2,223 kg
Bridge clearance	9' 11"	3.0 m
Fuel capacity	116 U.S. Gal	439 L
Water capacity	22 U.S. Gal	83.27 L
Hot water tank	4 U.S. Gal	15.14 L
Holding tank capacity	11 U.S. Gal	42 L
Height on trailer	9' 11"	3.02 m
Height on trailer (with radar)	10' 7"	3.22 m
Bridge clearance (w/radar)	8' 2"	2.5 m
Bridge clearance (no radar)	7' 6"	2.28 m
Length on trailer (motor down)	34' 2"	10.41 m
Length on trailer (motor up)	36' 6"	11.12 m

(Subject to Change Without Notice)

EQUIPMENT LOCATION



STARBOARD FITTINGS

STE

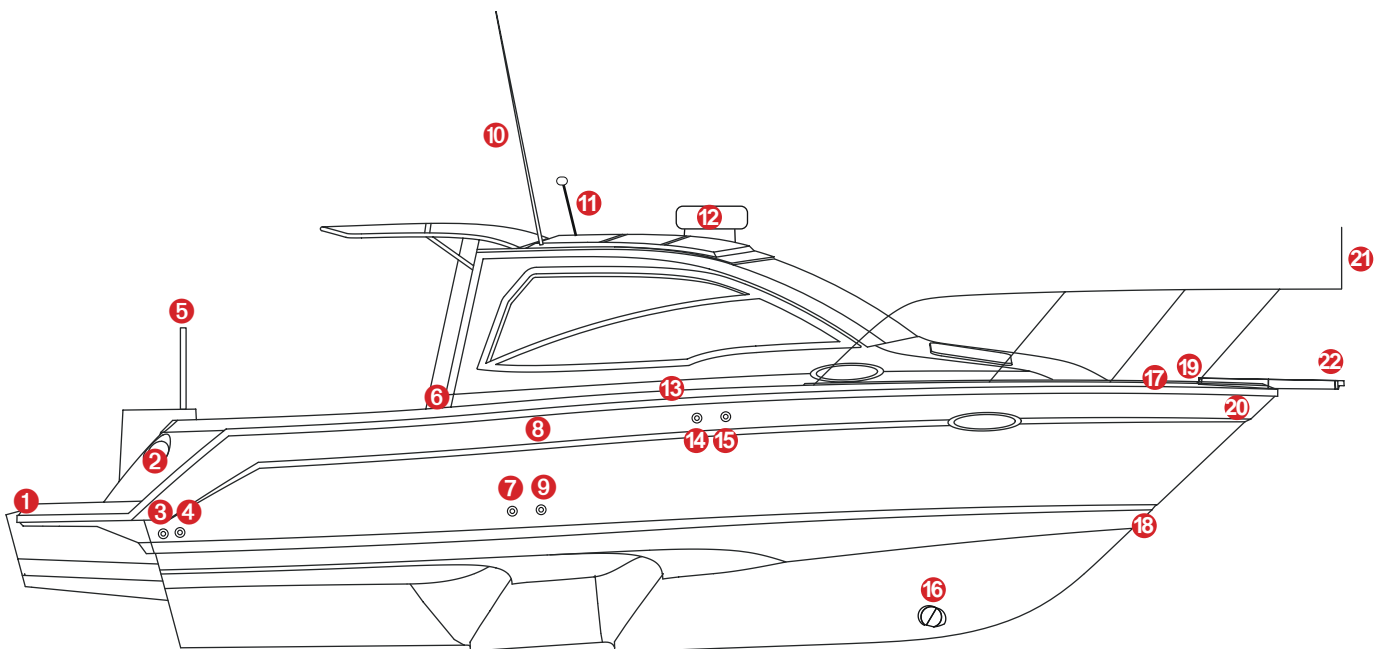
1 2 3 4 6 7 8 9 11 12 15 16 17 18 19 20 21 22

OPT

5 10 13 14



Keep all vents, drains and exhausts clear of any obstructions to ensure proper performance of each system.



- | | | |
|------------------------------|-----------------------|--|
| 1 Swim Ladder | 9 Macerator Thru-Hull | 17 Nav Light |
| 2 Fuel Fill | 10 VHF Antenna | 18 Bow Eye |
| 3 Aft Bilge | 11 Anchor Light | 19 Windlass |
| 4 Forward Aft Bilge | 12 Radar | 20 Horn |
| 5 Ski Pole | 13 Water Fill | 21 Burgee Flag Pole |
| 6 Waste Pumpout | 14 Water Tank Vent | 22 Bow Pulpit with Beaching Ladder & Anchor Roller |
| 7 Galley Sink Drain | 15 Waste Tank Vent | |
| 8 Trailing Side Marker Light | 16 Bow Thruster | |

PORT FITTINGS



STE

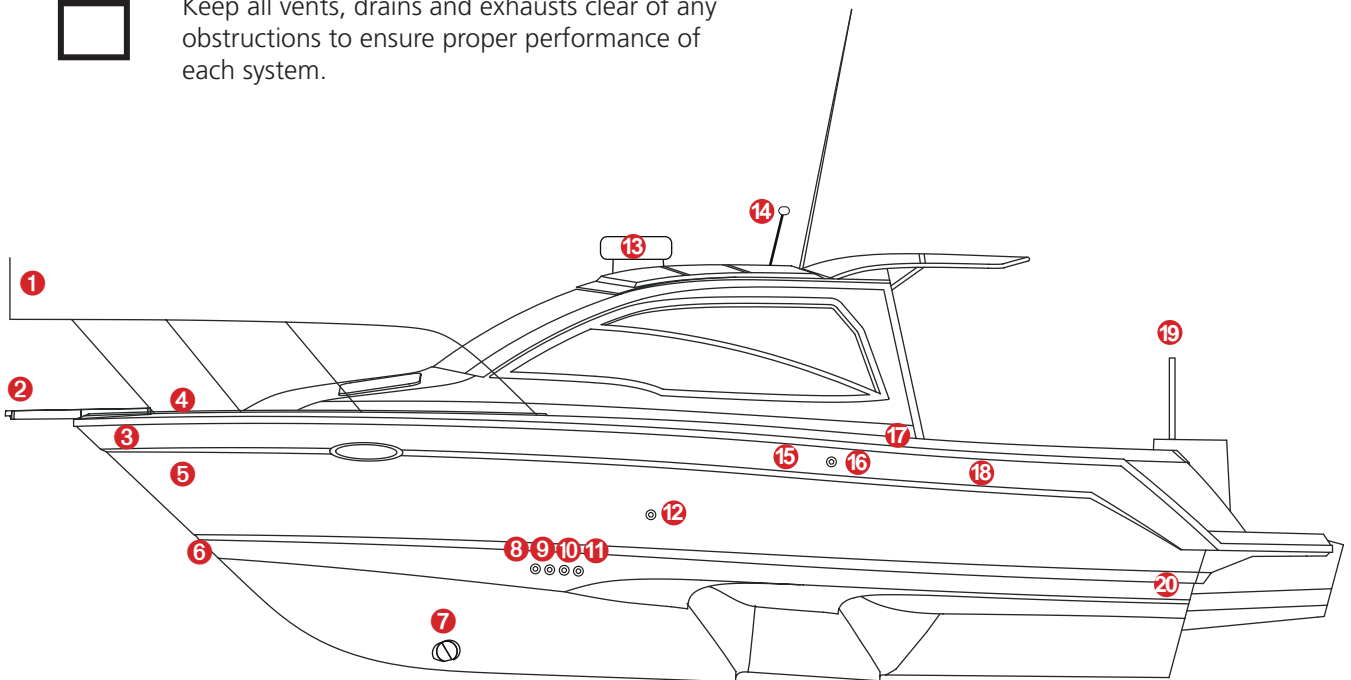
1 4 5 6 8 9 12 16 17 18

OPT

2 3 7 10 11 13 14 15



Keep all vents, drains and exhausts clear of any obstructions to ensure proper performance of each system.



- | | | |
|---|-----------------------|-------------------------------|
| 1 Burgee Flag Pole | 7 Bow Thruster | 14 Anchor Light |
| 2 Bow Pulpit with Beaching Ladder & Anchor Roller | 8 Head Sink Drain | 15 Trailing Side Marker Light |
| 3 Docking Lights | 9 Forward Bilge Drain | 16 Webasto Air Intake |
| 4 Nav Light | 10 Shower Drain | 17 Webasto Fuel Fill |
| 5 Anchor Locker Drain | 11 AC Drain | 18 Generator Air Intake |
| 6 Bow Eye | 12 Webasto Exhaust | 19 Ski Pole |
| | 13 Radar | 20 Generator Exhaust |

STERN COMPONENTS

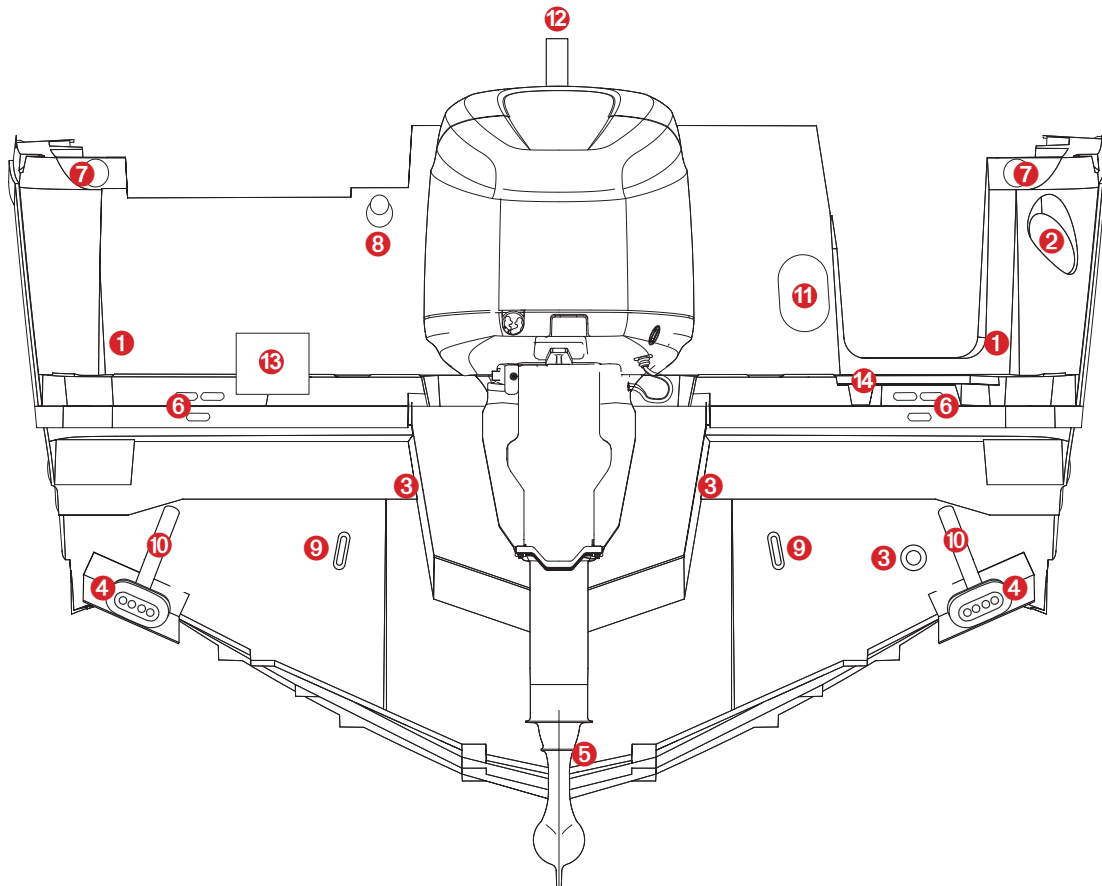


STE

1 2 3 5 6 7 8 9 10 11 12 13

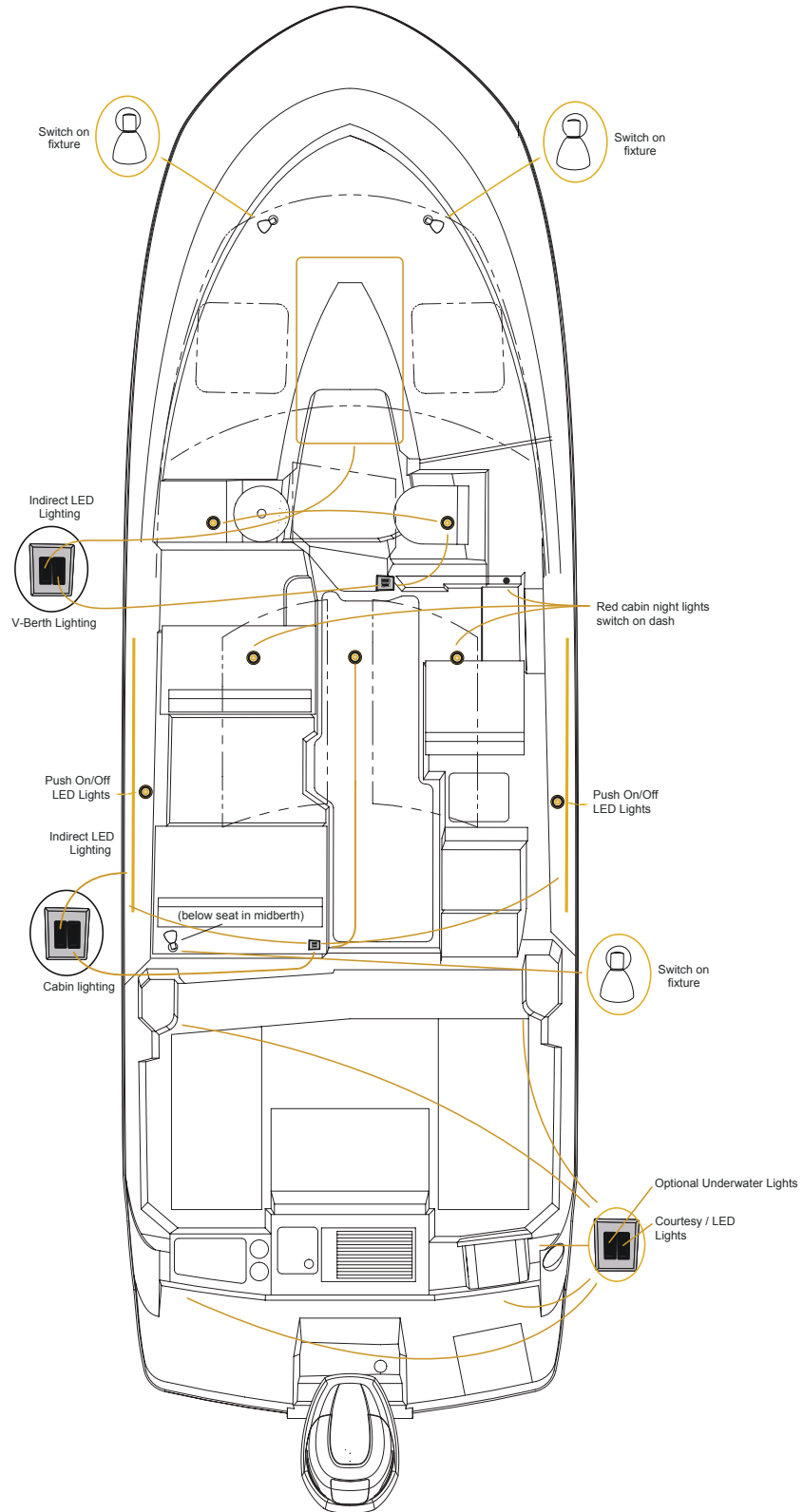
OPT

4



- | | | |
|---------------------------------|-----------------------------|---------------------|
| 1 Swim Platform Courtesy Lights | 6 Trailer Turn/Brake Lights | 11 Shower |
| 2 Fuel Fill | 7 Rod Holders | 12 Ski Pole |
| 3 Cockpit Scupper Drains | 8 Flagstaff Mount | 13 Outboard Bracket |
| 4 Underwater Lights | 9 Towing Strapdown | 14 Swim Ladder |
| 5 Drain Plug | 10 Trim Tab Ram | |

MAIN CABIN AND COCKPIT LIGHTS



FUEL SYSTEM, ENGINE, GENERATOR

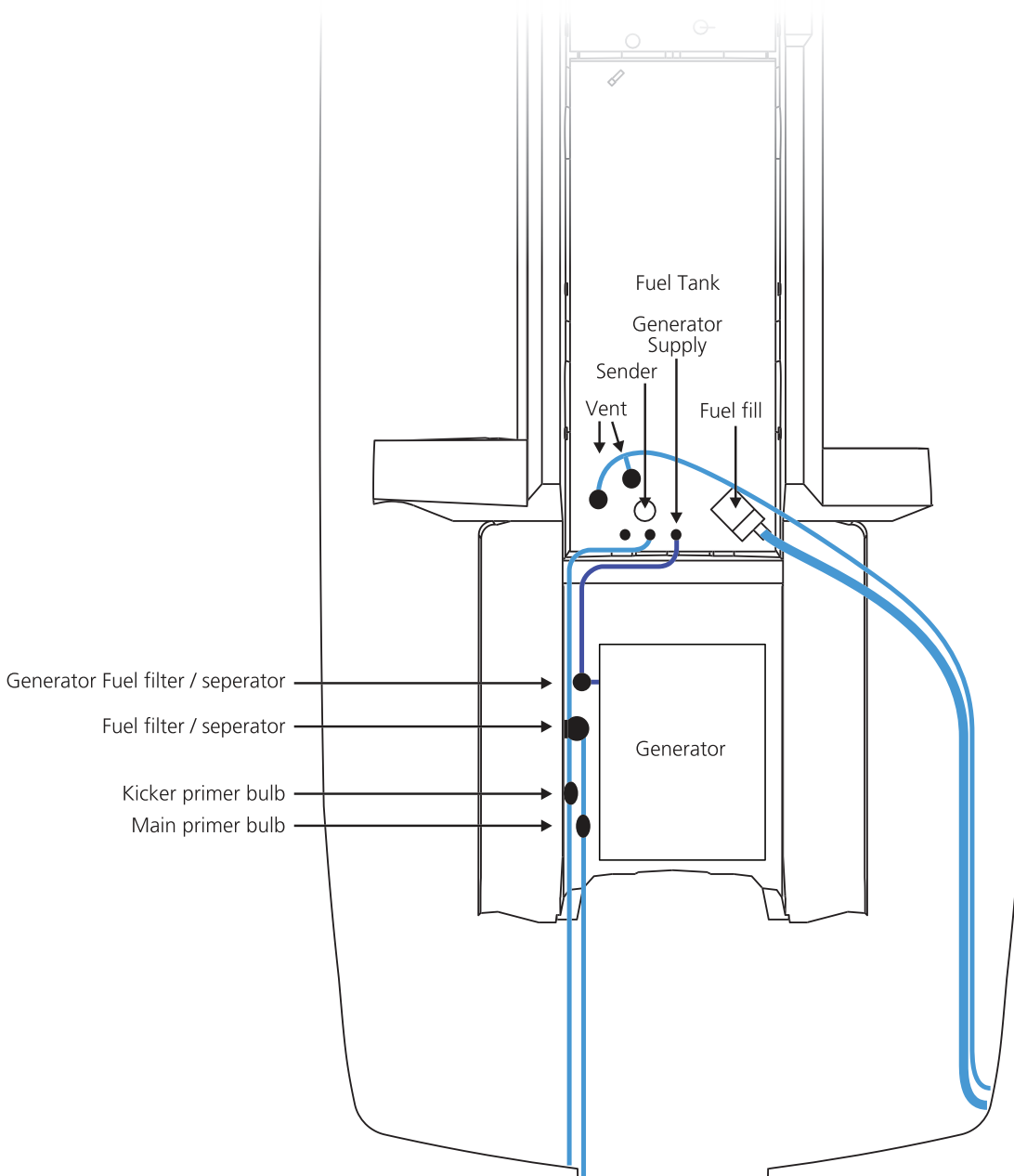


STE

Yamaha 250

OPT

Generator / Yamaha 300 / Kicker (9.9 Yamaha)



RAW WATER / SEA STRAINER SYSTEM



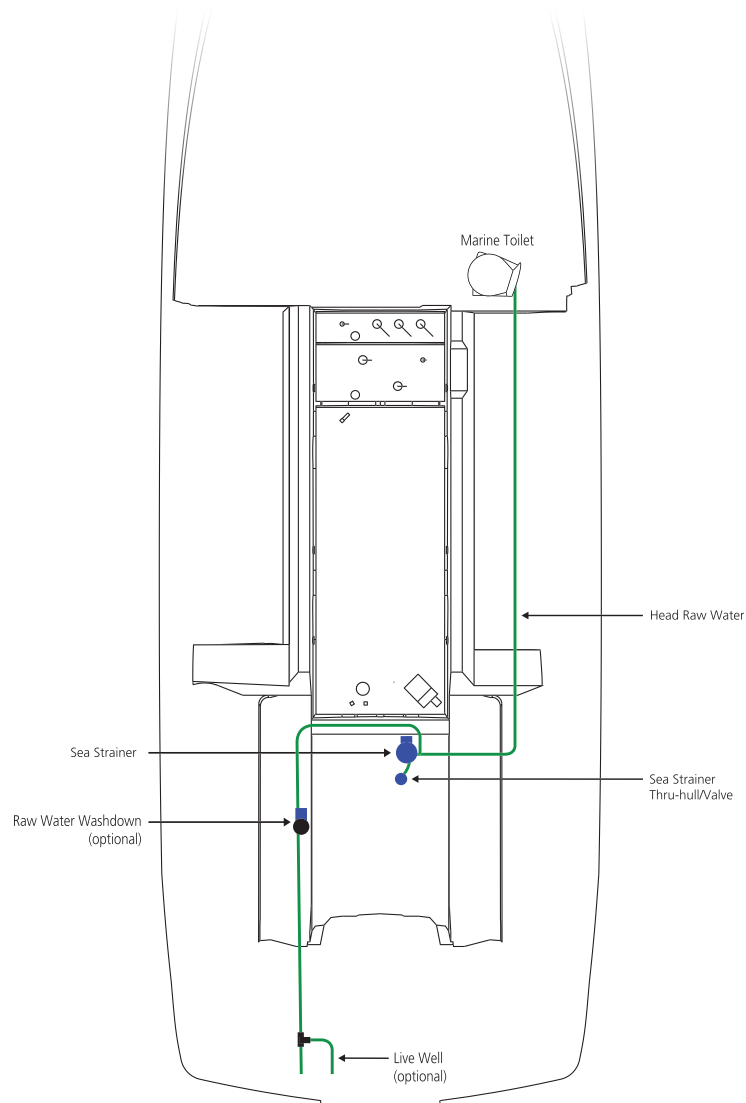
STE

- Multi port sea strainer for head and raw water wash down pump.

OPT

- Generator raw water thru-hull strainer

Raw Water System

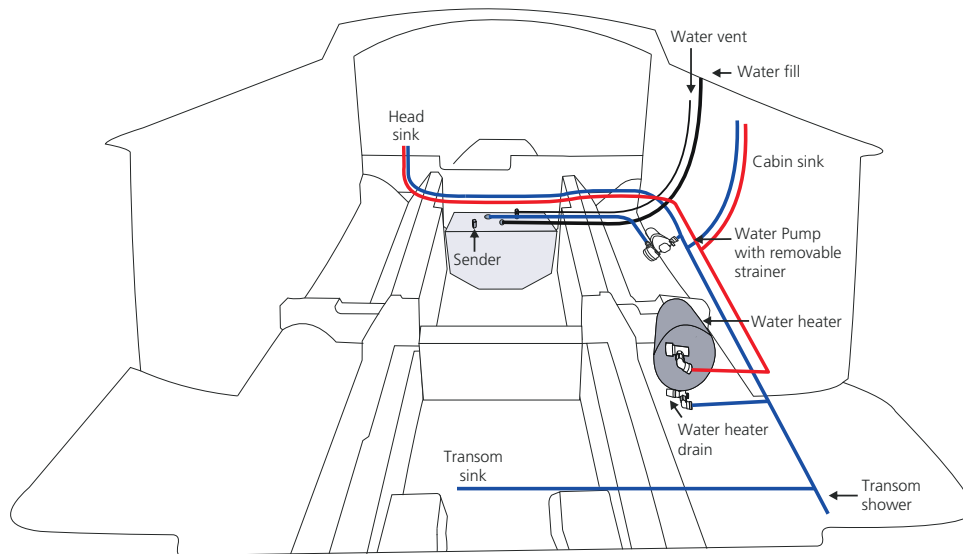


FRESH WATER PLUMBING SYSTEM



STE

22 Gallon Fresh Water Tank, 4 Gallon Hot Water Heater, 3.5 GPM Fresh Water Pump.



Disinfecting The Fresh Water System

The information contained in this appendix provides supplementary data about disinfecting a potable water system.

A SUGGESTED METHOD OF DISINFECTION

Perform the following steps in the order indicated:

- Flush entire system thoroughly by allowing potable water to flow through it;
- Drain system completely;
- Fill entire system with a chlorine solution having a strength of at least 100 parts per million, and allow to stand for one (1) hour. Shorter periods will require greater concentrations of chlorine solution. [See Table I](#)
- Drain chlorine solution from entire system;
- Flush entire system thoroughly with potable water;
- Fill system with potable water.

Table I shows how much disinfecting agent is required to make up various quantities of 100 parts per million chlorine solution.

TABLE I – CHLORINE CONCENTRATIONS

Amount of chlorine compound required for 100 ppm solution

Solution (Gallons)	Chlorinated Lime 25% (ounces)	High Test Calcium Hypochlorite 70% (ounces)	Liquid Sodium Hypochlorite 1% (quarts)
5	0.3	0.1	0.2
10	0.6	0.2	0.4
15	0.9	0.3	0.6
20	1.2	0.4	0.8
30	1.8	0.6	1.2
50	3.0	1.0	2.0
100	6.0	2.0	4.0

NOTE: This table contains information taken from the Handbook on Sanitation of Vessel Water Points, Public Health Service Publication No. 274 - Reprinted June 1963.

SHOWER SUMP

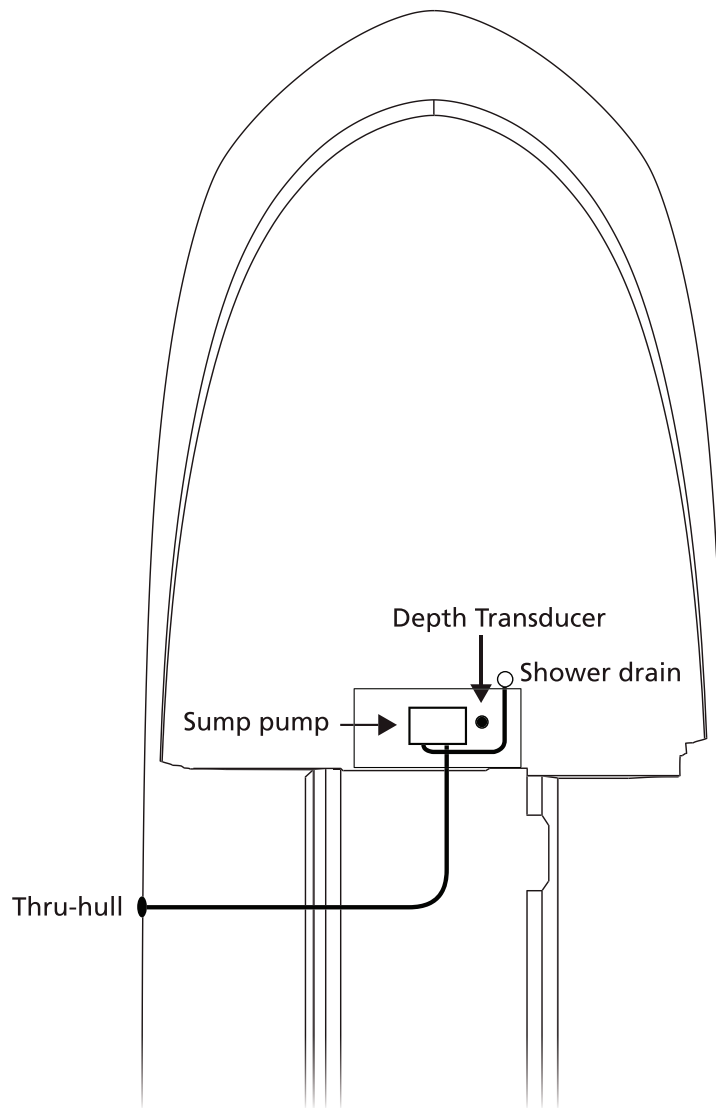


STE

12V, 1000 GPH
(This should be inspected for debris on a regular basis if shower is used frequently.)



The shower sump box is located underneath the v-berth step positioned just outside the head door.



BILGE PUMP SYSTEM



STE

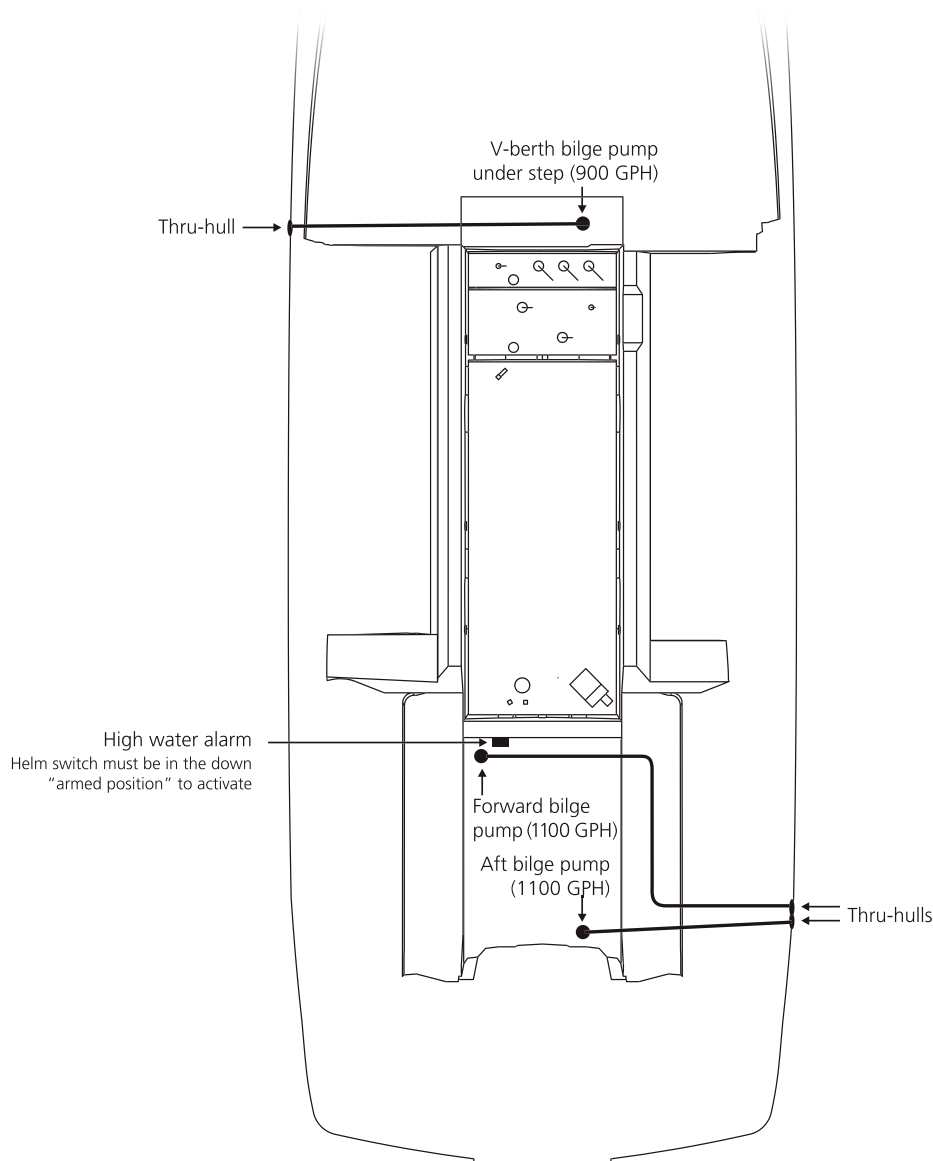
12V 1100 GPH
12v 900 GPH



The bilge pumps operate automatically by checking for water every 2.5 minutes even with battery switches and breakers in the OFF position.

However, the bilge pumps will run continuously once their switches are placed in the on position. Monitor the outflow accordingly. Do not run when dry.

- All manual bilge pump switches are located at the helm.
- V-berth switch is labeled "ACCY".



WASTE SYSTEM WITH MACERATOR PUMP



STE



11 Gallon Tank with standard pump out, and vent

OPT

Macerator pump out



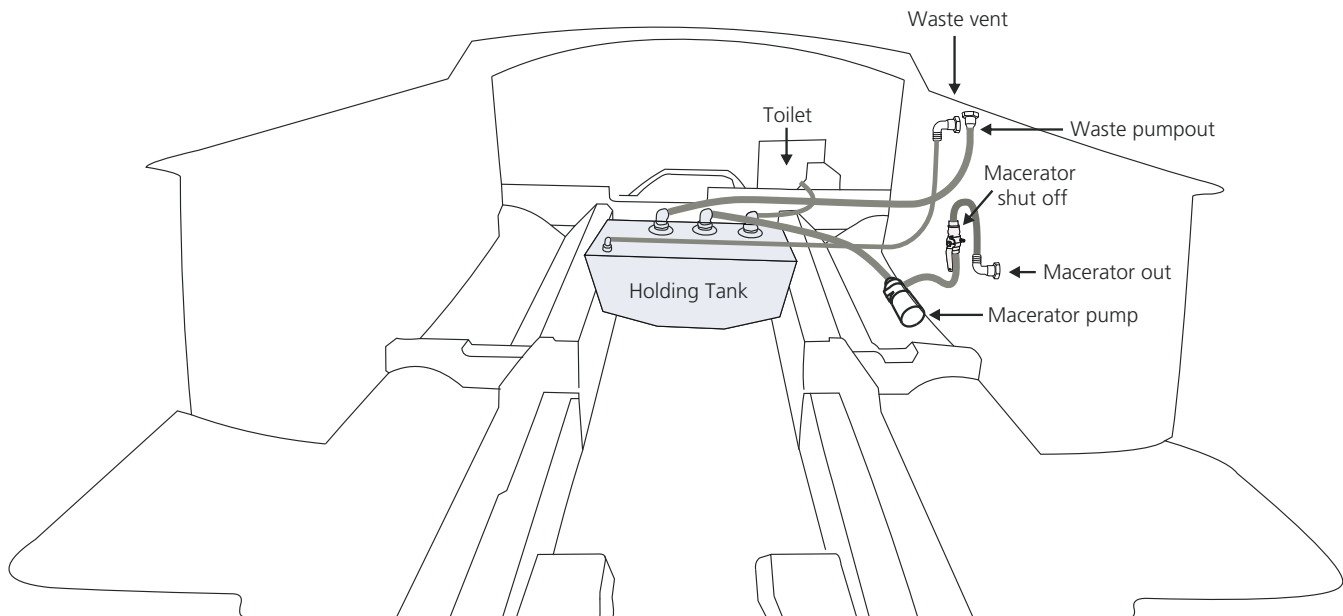
Waste tank pump out stations are widely available. Please follow the directions carefully for the pump out equipment you are using to avoid damage to the waste system.



Boat owner is responsible for following all applicable laws when using the macerator system to pump out into the surrounding waters.



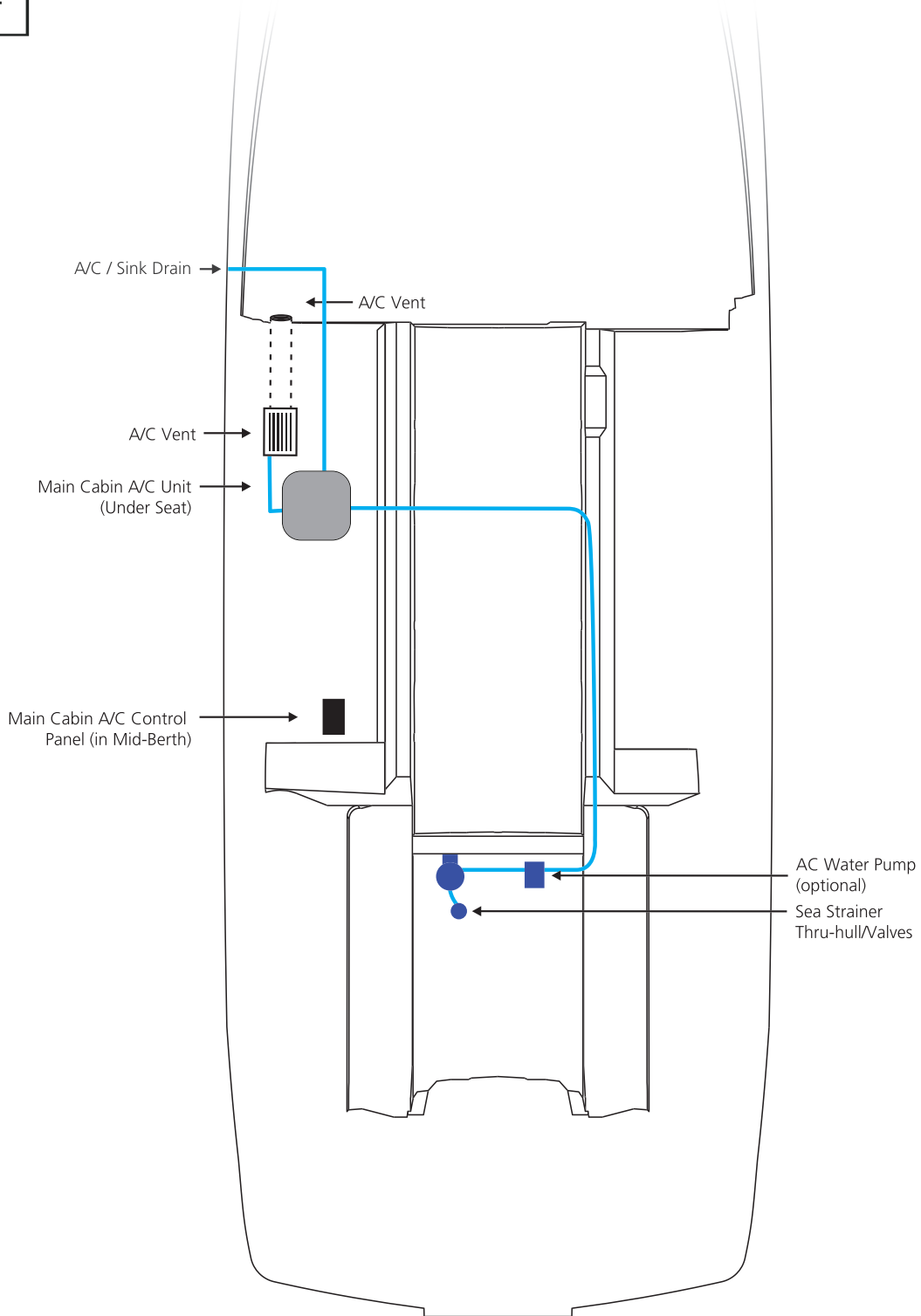
Overboard shutoff valve is accessed under the galley sink above the pump area.



AIR CONDITIONING



OPT

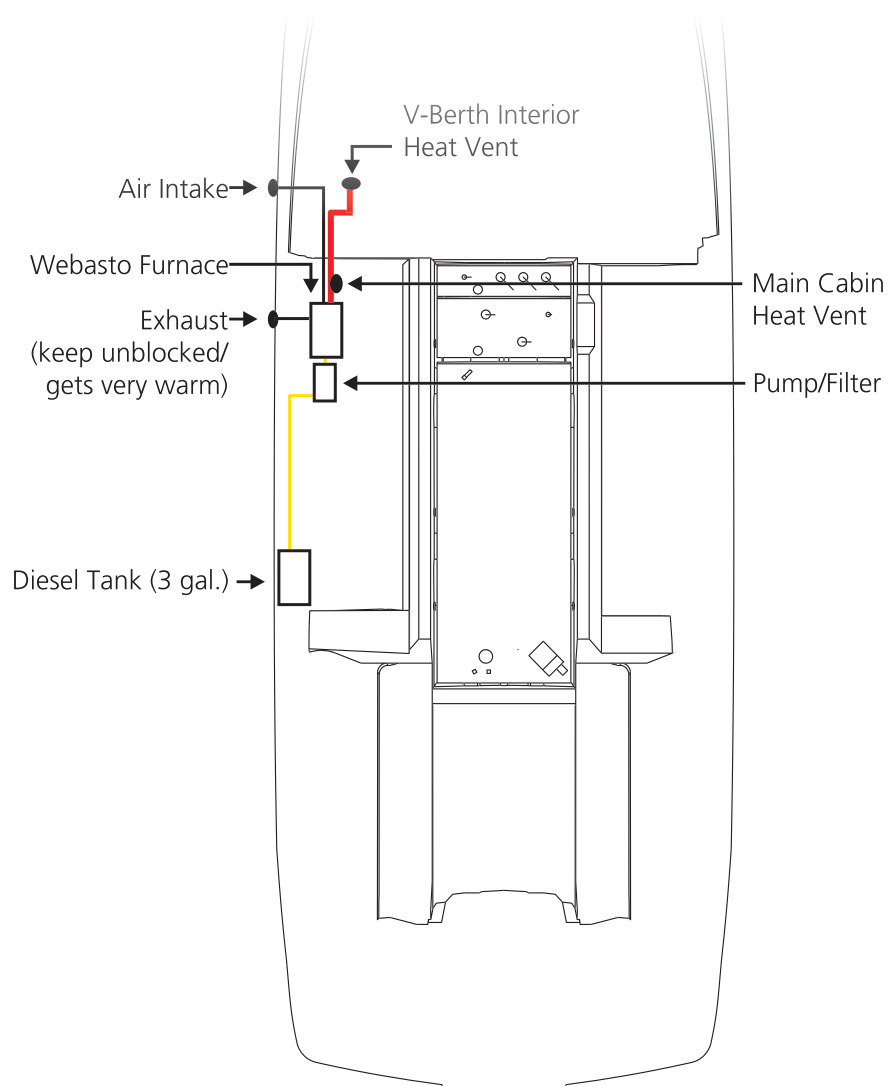


WEBASTO FURNACE



OPT

Webasto furnace is located under the forward passenger seat. The control panel is located at the quarter berth power management center. The fuel pump and filter are beneath the passenger seat, inside of the black box. To access the heater/pump the seat must be removed. The fuel filter should be changed during the annual maintenance. Filter change intervals may vary depending on usage.



BATTERY CONFIGURATION



STE

2 House Batteries, 1 Engine Battery

STE

House, engine, & battery parallel switches are located in the midberth.

OPT

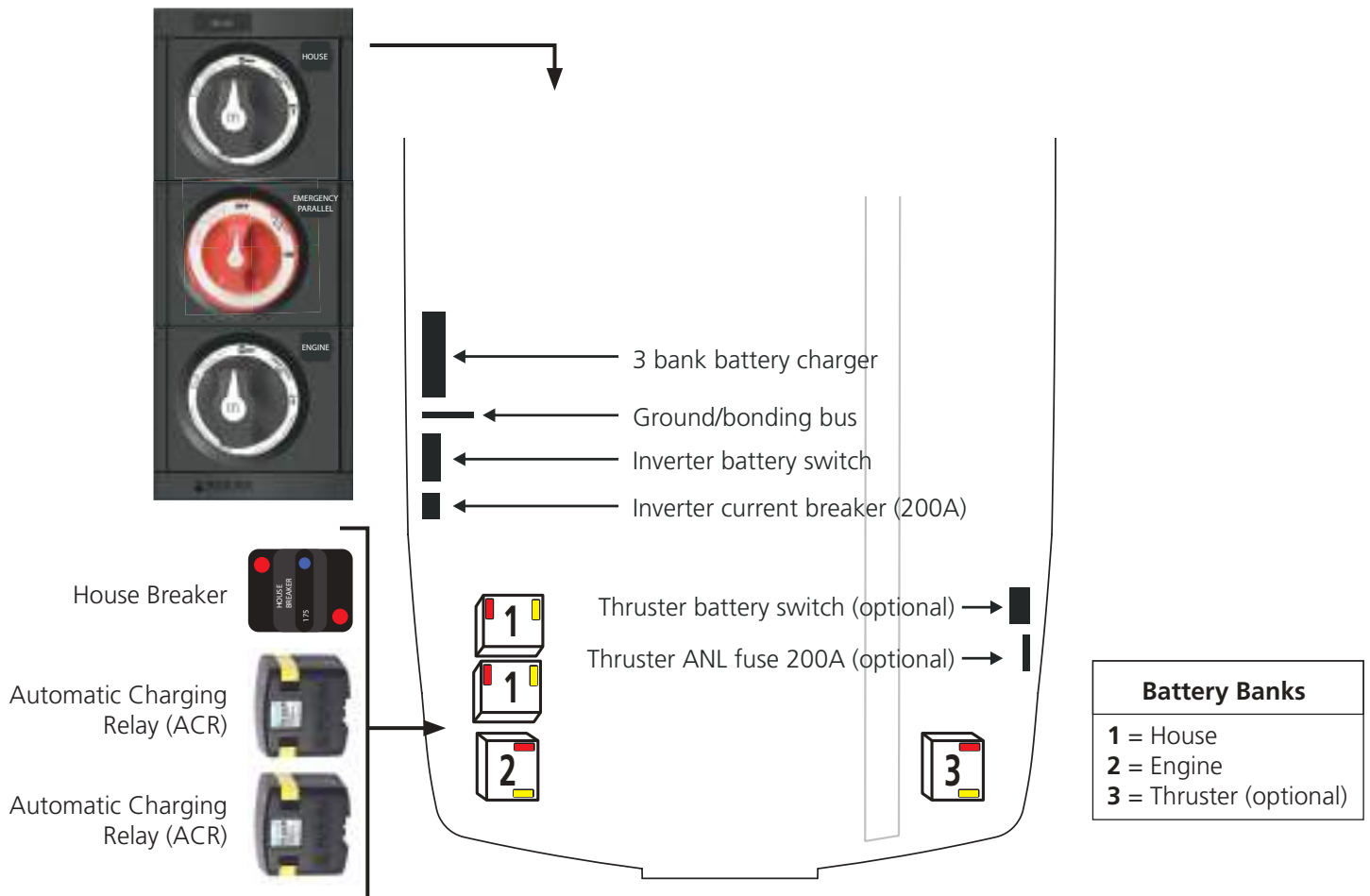
1 Thruster Battery (optional). Thruster battery switch is located in the starboard side lazarette
Inverter battery switch and ANL fuse located in the port side lazarette



Once the EMERGENCY PARALLEL switch is placed in the on position the power from the HOUSE batteries will be transferred to the ENGINE battery. Use only for EMERGENCY starting of the engine.



If the house bank drops below 10.8v you must reset the charging relay by switching on the parallel while the engine is running or while plugged into shore power.



FUSE LOCATION & VALUES



STE

Dash fuse blocks are located behind a hinged access panel in the head. The 24/7 fuse block is located in the mid cabin behind a removable panel secured with Velcro in the aft inboard corner. Fuses are automotive blade type and all values shown below are in Amps.

Dash Fuse Block #1

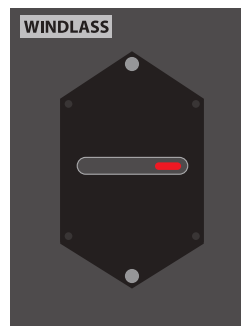
4 Switch Panel		T.V. #1 (Option)
8 Switch Panel		VHF
8 Switch Panel		Auto Pilot Pump
Heater Craft (Option)		
Shower Pump		
Stereo		

Dash Fuse Block #2

V-berth Lights		12V Outlet (Port)
Cabin Lights		12V Outlet (Star)
Misc. Lights		12V Outlet (V-berth)
Deck Lights		Fresh Water Pump
Trim Tabs		Refrigerator

24/7 Fuse Block

Downrigger (Star)		Stereo Memory
Downrigger (Port)		Bilge Pump #1
Solar		Bilge Pump #2
Washdown Switch		Bilge Alarm
		CO Monitor #1
		CO Monitor #2



* To reset, reinsert yellow arm "up" into the breaker.
To test, press red button and the yellow arm should flip down.

AC DISTRIBUTION PANEL & ROTARY SWITCH



STE

AC Distribution Panel

OPT

AC Rotary Selector Switch (Available with Generator) AC Main Line 2 (with AC)

OPT

Inverter. While using, you must power manage the devices you choose to use. Do not exceed 1000 watt maximum. Never have charger breaker on while using the inverter.



A/C Main 1 and battery charger breaker must on in order for batteries to charge.



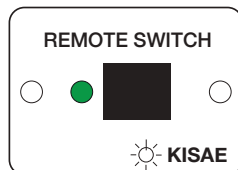
The AC Rotary Switch Selector Switch will determine which source of incoming 120 Volt power to use for your AC Distribution Panel.

STE AC Distribution Panel



AC Main 1

Inverter Switch



OPT AC Distribution Panel with Generator



AC Main 1

AC Main 2

Inverter Operation:

- Press and hold Inverter Remote switch until the green light comes on.
- On the AC Distribution panel, Turn the Shore Power off and the Inverter on.
- Microwave, AC outlets, etc. are now powered by the inverter.

12V HELM CONTROL OPERATION



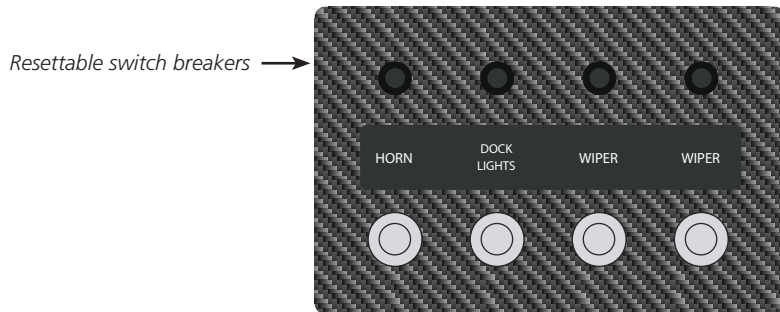
STE

High Water Alarm: Triggered = Red light/audible alarm Armed = Normal operation
 Off = center position.
 The switch should remain in the down "armed position" while cruising.
 Middle position mutes the alarm and all the way up is a momentary "alarm test".

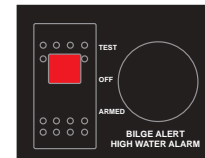


The bilge pumps operate automatically with electronic float switches regardless of battery switch position. This should be tested weekly.
 However, the aft, forward and v-berth pumps will run continuously once their switches are placed in the on position. Monitor the outflow accordingly. Do not run when dry.

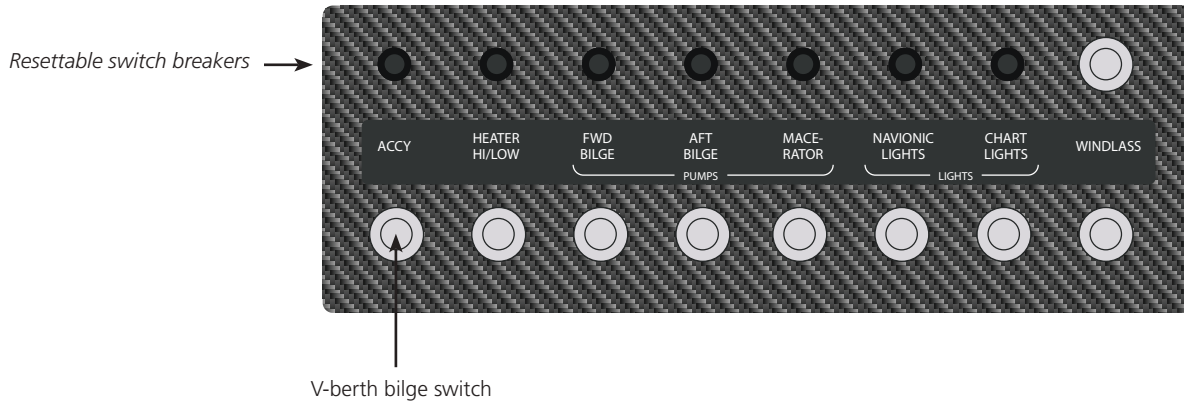
At Helm



High Water Alarm



At Helm

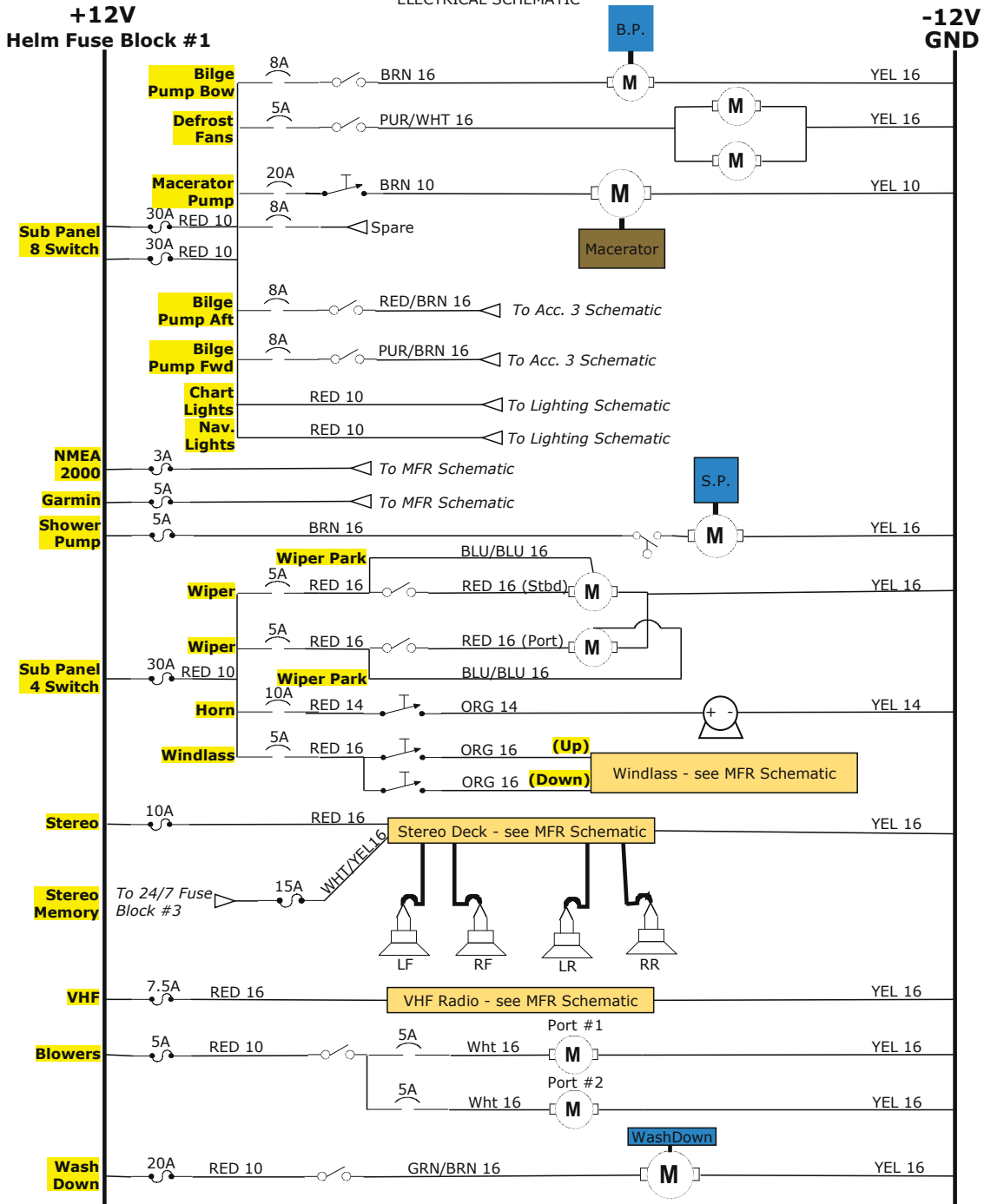


C-24 WIRING SCHEMATIC (ACC. 1)



C-24 Accessories 1

ELECTRICAL SCHEMATIC

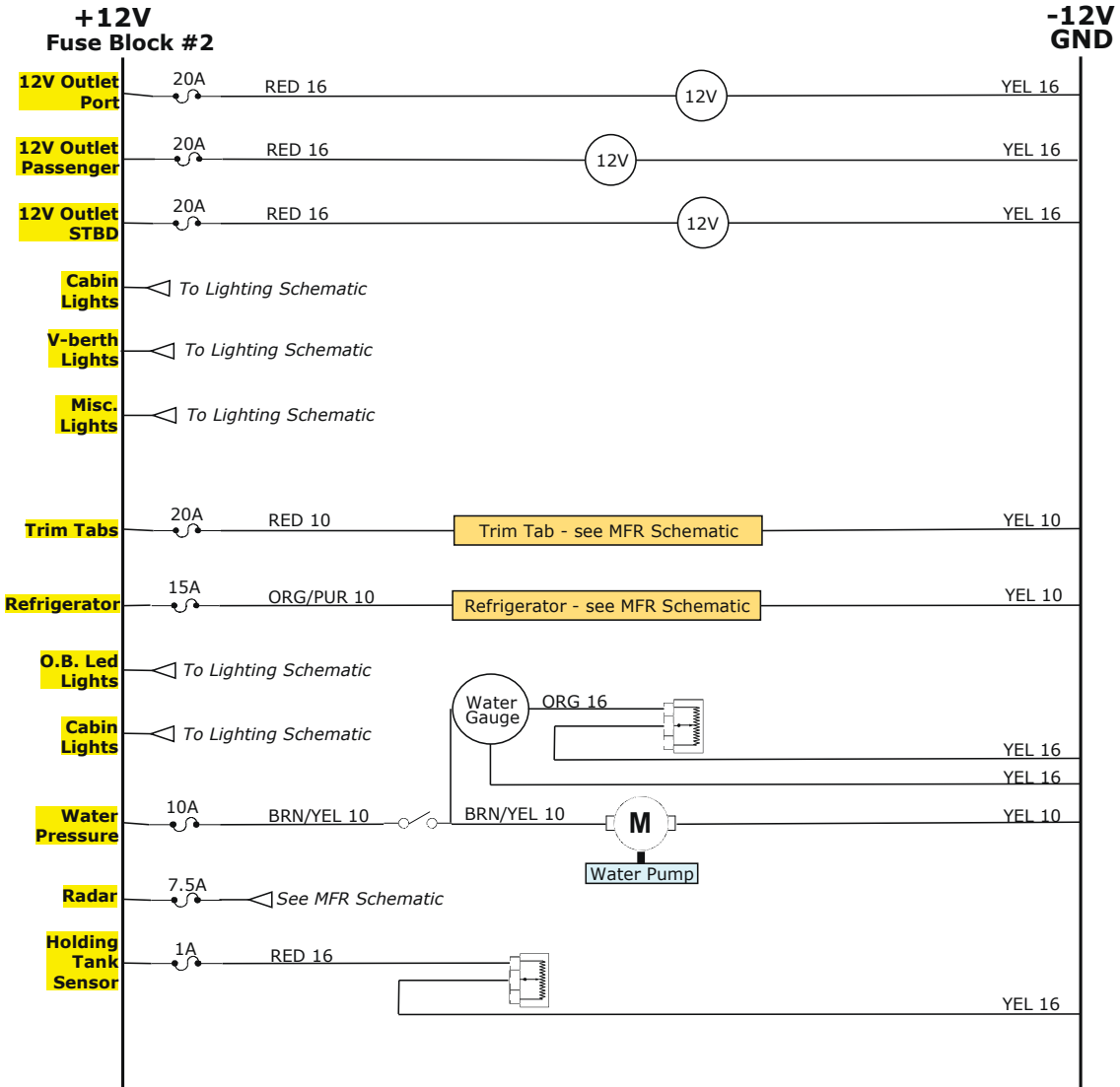


12-14-18

C-24 WIRING SCHEMATIC (ACC. 2)



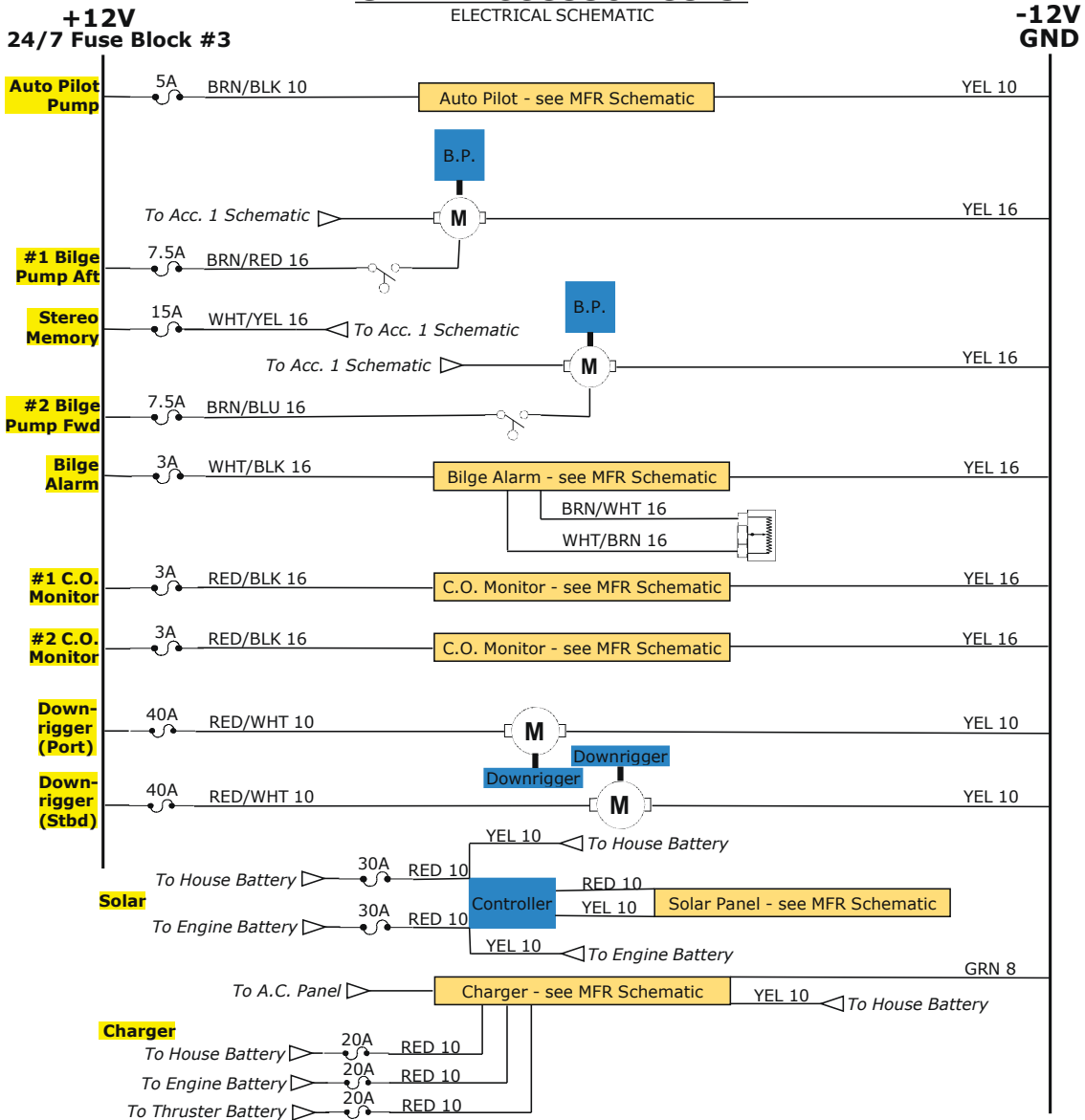
C-24 Accessories 2 ELECTRICAL SCHEMATIC



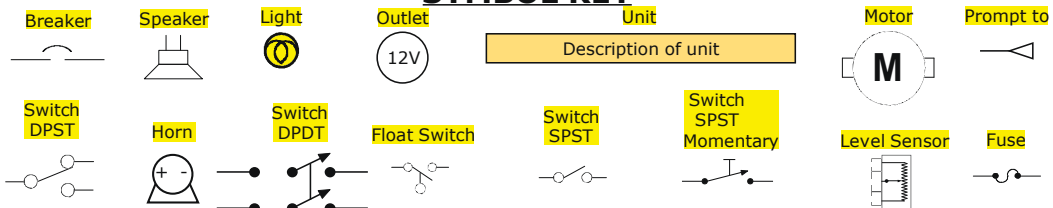
C-24 WIRING SCHEMATIC (ACC. 3)



C-24 Accessories 3 ELECTRICAL SCHEMATIC



SYMBOL KEY



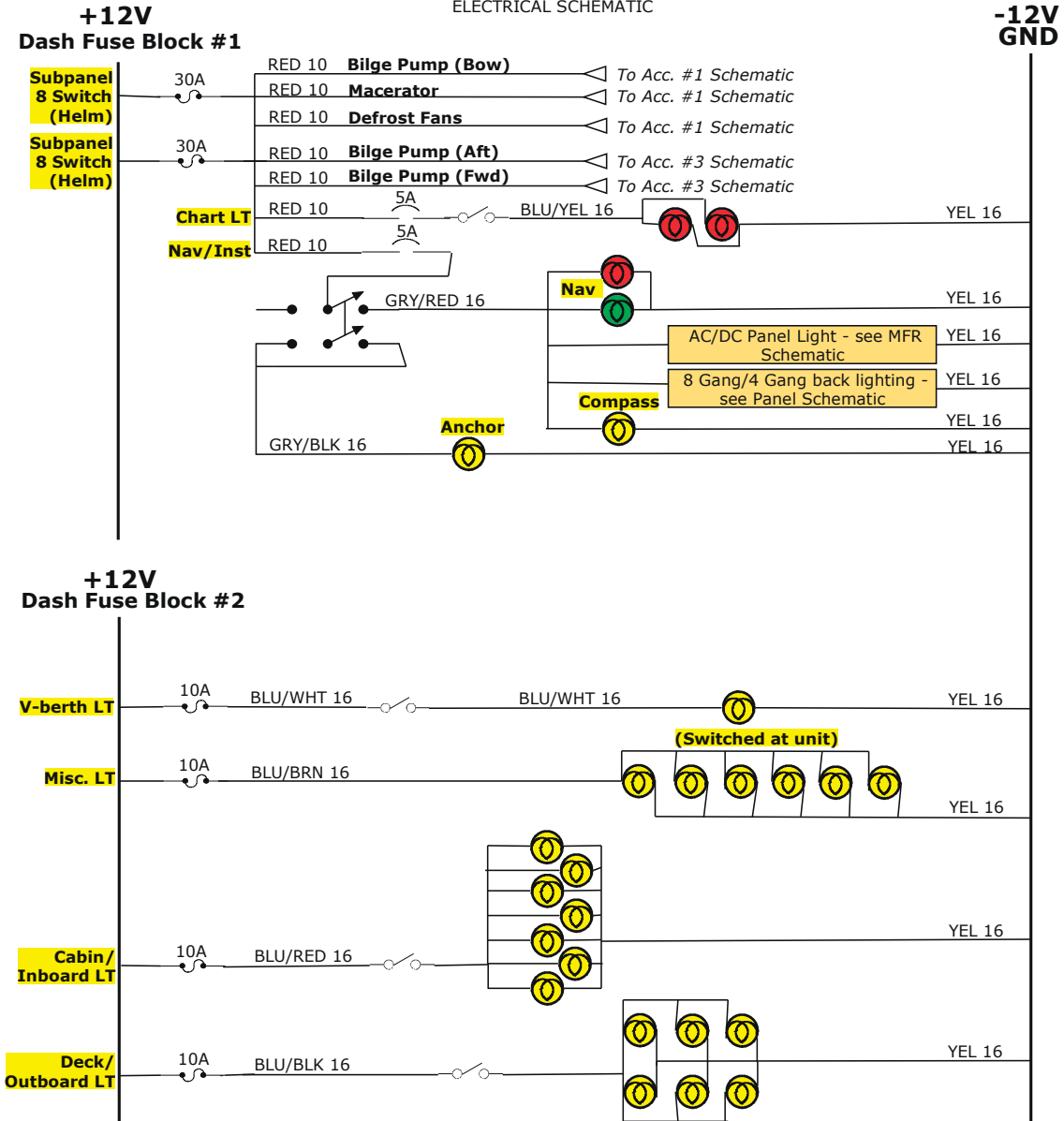
12-14-18

C-24 WIRING SCHEMATIC (LIGHTING)



C-24 Lighting

ELECTRICAL SCHEMATIC

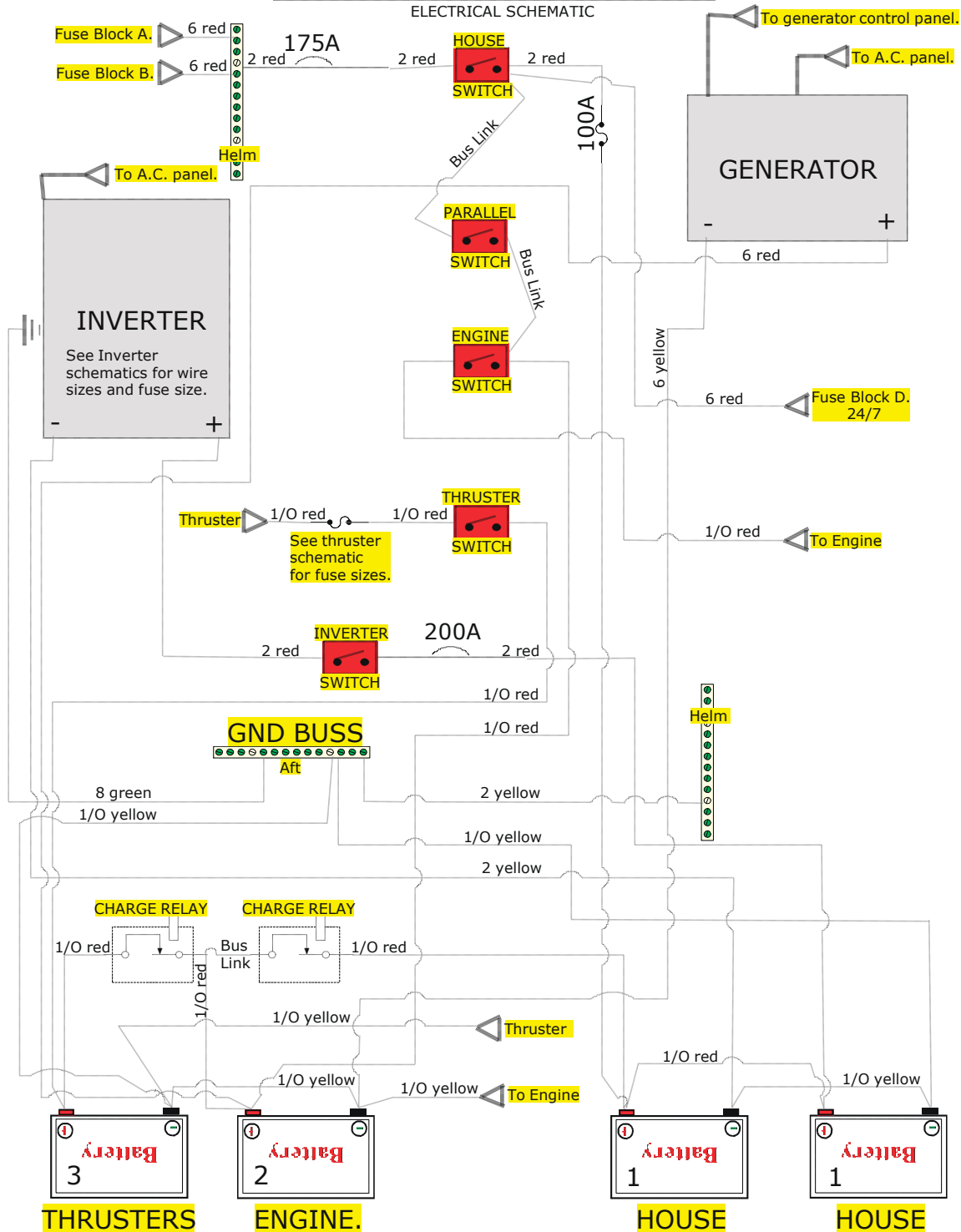


C-24 WIRING SCHEMATIC (P.D.P.)



C-24 Power Distribution

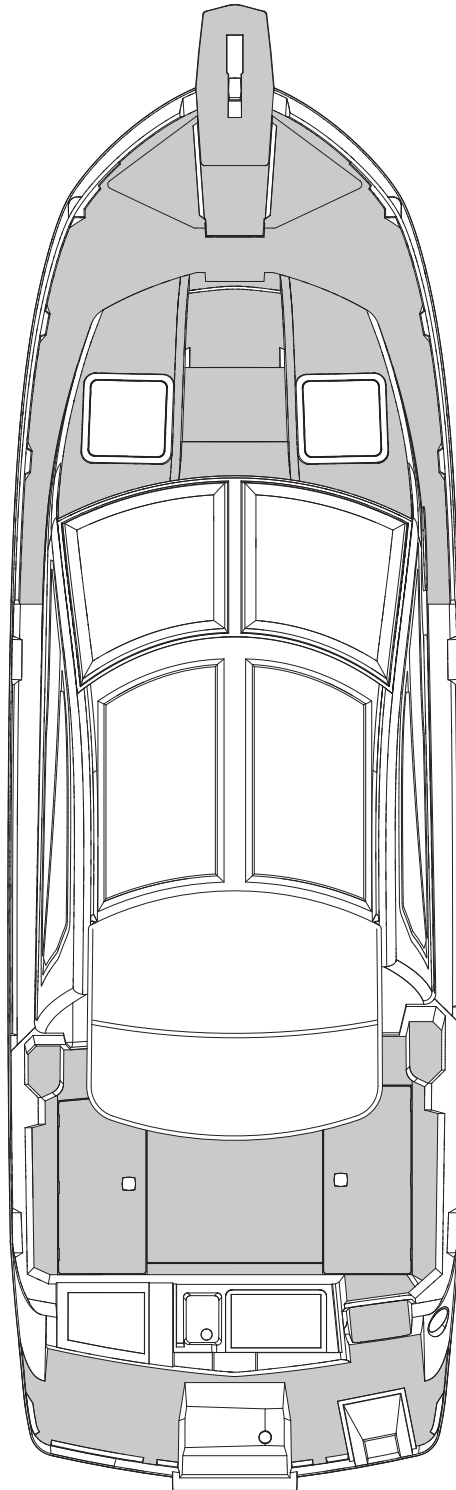
ELECTRICAL SCHEMATIC



C-24 WORKING DECK



STE



CARE AND MAINTENANCE



The following checklists are examples and are not all inclusive and are provided only as a guide. Please customize to your personal needs. Consult your engine and trailer user manuals for additional information.

EXAMPLE OF A PREPARATION FOR THE ROAD CHECKLIST

TOW VEHICLE – PRIOR TO USE

- Test Lights.
- Check brakes.
- Check tire pressure and condition.
- Check hitch related electrical connections.

TRAILER – PRIOR TO USE

- Check registration
- Check rollers and bed rails.
- Check wheel bearings and lubricate as required.
- Check winch.
- Test electrical connection and lights.
- Check tire pressure and condition.
- Check safety chains.
- Check boat straps.
- Check braking system.
- Check hitch for proper connection and lock down.
- Install safety chains (cross under hitch).
- Remove tire blocks.

BOAT – PRIOR TO USE WITH TRAILER

- Lower mast.
- Lower VHF antenna.
- Secure the Bimini awning frame.
- Raise and secure swim platform ladder.
- Set all switches and breakers to the OFF position, Including Thruster/Windlass cutoff switch
- Close and secure all windows, ports and vents.
- Clear countertops.
- Lock fridge latch.
- Check engine is up!
- Lock cabin.
- Remove Drain Plug

EXAMPLE OF A SPRING PRE-LAUNCH CHECKLIST



CLEANING

- Remove debris from scuppers and scupper drains.
- Clean hull using a mild biodegradable detergent and then wax.
- Clean topsides and decks using a mild biodegradable detergent and then wax.
- Clean and polish all bright work.
- Clean and oil teak.
- Clean windows, ports, and hatches.
- Clean bimini cover.
- Check and clean anchor, rode, and anchor storage compartment.

INSPECTION

- Check Drain Plug
- Check spare parts and tools and replace as necessary.
- Check wiper blades.
- Check swim platform.
- Inspect and test trim tabs.
- Check condition of bottom paint.
- Check windlass.
- Verify electronics for correct operation.
- Check all inside and outside lights.
- Macerator Valve in proper position and secured.
- Inspect and verify position of all sea cocks and shut off valves.
- Check alarms for proper operation.
- Check fluid levels.

SAFETY EQUIPMENT

- Sound signaling device.
- Check flares and their expiration dates.
- Check personal flotation devices/throw cushions.
- Check fire extinguishers and their fill dates.
- Boat hook.
- Lines/fenders.
- First aid kits.

GALLEY

- Check stove for proper operation.
- Check everyday utensil stock.

DOCUMENTS

- Registration sticker.
- Insurance papers and Passports.
- Boat Inspection sticker.
- Charts and float plan forms.

EXAMPLE OF WINTER STORAGE CHECKLIST



GENERAL MAINTENANCE

- Fill Fuel Tank and add a fuel stabilizer.
- Empty and clean black water tank.
- Empty fresh water tank use a non-toxic antifreeze per manufacturer's directions, or remove all water from the system.
- Winterize black and fresh water tanks as necessary based on weather.
- Check bilge area for oil and for proper operation
- Check zincs and replace as necessary.
- Check and clean water strainer.
- Clear barnacles and debris from hull fittings.
- Trickle charge batteries every 30-60 days.
- Vent boat to prevent mildew.
- Check trailer tire pressure and condition.
- Check trailer braking system.
- Check trailer bearings.
- Remove Drain Plug.
- Turn off all battery cutoff switches.

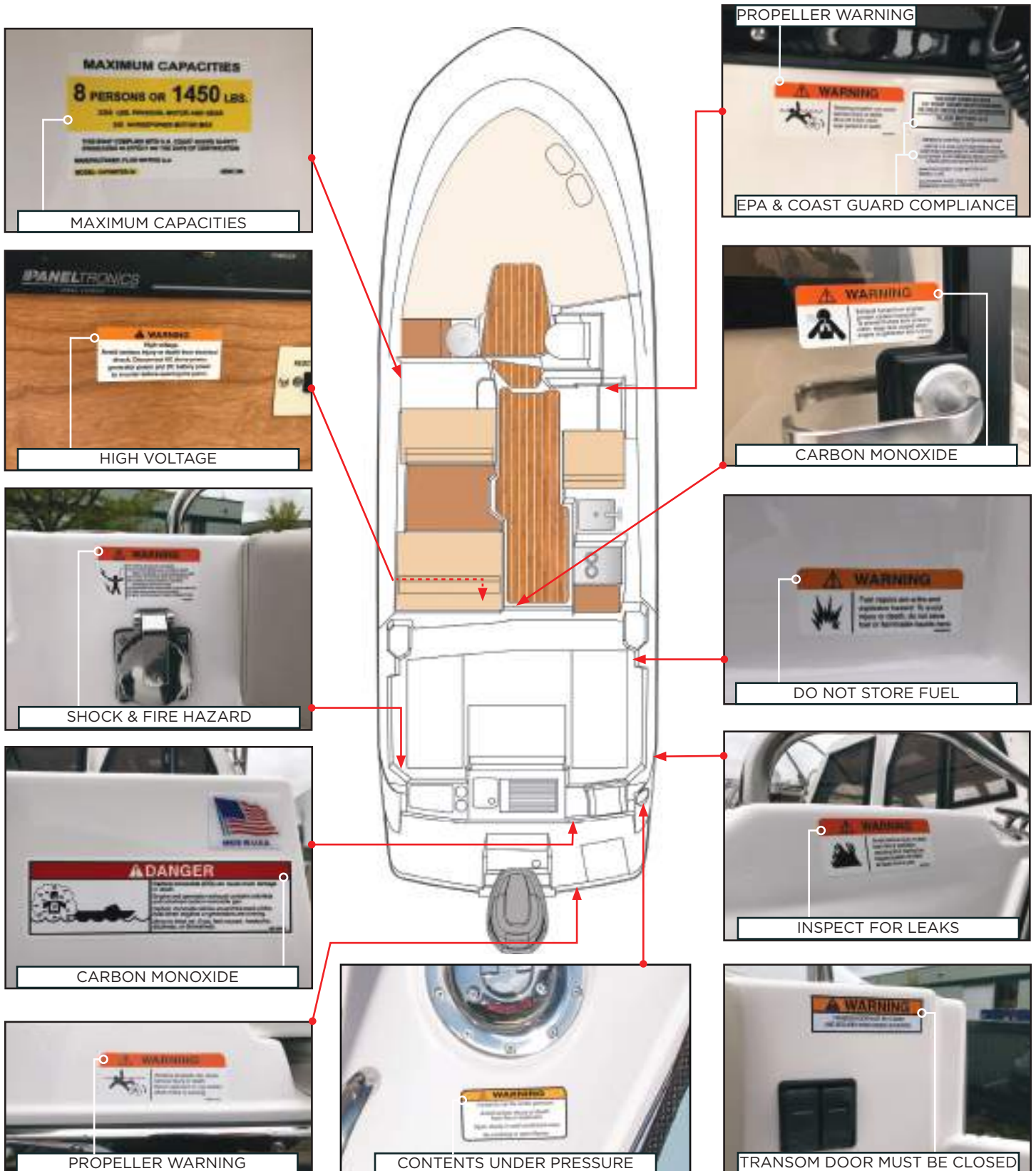
ENGINE

- Flush engine(s) with fresh water.
- Check all fluid levels.
- Check all hose fittings.
- Check impeller.
- Check engine maintenance requirements.

GALLEY

- Empty, clean and freshen refrigerator.
- Remove all dry food from storage.

WARNING LABEL LOCATIONS





17341 Tye St S.E., Monroe, WA 98272

Phone 800-349-7198 Fax 866-408-9516 **www.cutwaterboats.com**

All rights reserved. Reproduction or translation by any means in whole or in part is not permitted without written authorization from Cutwater. The information contained herein is correct to the best of Cutwater's knowledge and the contents may change without notice and without incurring obligation.

<https://www.boat-manuals.com/>