

245CC



245 Center Console **OWNER ASSISTANCE MANUAL**

Revised 2014



245CC SPECIFICATIONS

LENGTH:	24'6"	(7.5m)
BEAM:	8'6"	(2.6m)
DRAFT (boat only):	21"	(53.3cm)
BOAT WEIGHT:	3500lbs	(1588kg)
WEIGHT CAPACITY:	3400lbs	(1542kg)
PERSON CAPACITY:	11	
PERSON WEIGHT:	1815lbs	(823.3kg)
FUEL CAPACITY:	140gal	(529.96L)
TRANSOM HEIGHT:	Single-30" or Twin-25"	
MAX POWER:	350hp	(261kw)
COCKPIT DEPTH:	29"	(73cm)
COCKPIT AREA:	89sq/ft	(8.2m ²)
APPROX LENGTH ON TRAILER:	31'	(9.4m)
BRIDGE CLEARANCE:		
W/OUT TOP	6' 4"	(1.8m)
W/T-TOP	8' 6"	(2.6m)
FLOTATION:	UNSYNKABLE	
HULL DEADRISE:	21°	

U.S. Coast Guard
Maximum Capacities

11 PERSONS OR **1815** LBS

3515 LBS PERSONS, MOTORS, GEAR

350 H.P. MOTOR

CE

8 PERSONS OR 680kg

261kw MAX POWER

B RATING



Dear EdgeWater 245CC Owner:

Congratulations on purchasing one of the finest small boats ever built. It has been constructed with care from the finest available materials. At EdgeWater we take great pride in the quality and craftsmanship that goes into each boat, large or small. We believe you'll have many years of enjoyment from your new EdgeWater and thank you for entrusting your leisure time to one of our fine products.

This manual has been assembled to help you learn more about your new boat and increase your enjoyment of it. Your EdgeWater has been built for a "Lifetime on the Water".

Boat safe and boat smart, we wish you many years of boating pleasure.

Sincerely,

A handwritten signature in black ink, appearing to read "P. Truslow". The signature is stylized and somewhat cursive.

Peter Truslow
President
EdgeWater Powerboats



Service Information

Please fill out the information below completely. It will help us in assisting you in the event your EdgeWater needs service.

Customer Name _____

Address _____

City _____ State _____ Zip _____

Phone _____ Cell _____ Business _____

E-mail Address _____

Dealer Name _____

Address _____

City _____ State _____ Zip _____

Phone _____ Fax _____

Purchase Date _____ Engine Make/Model _____

Delivery Date _____ Engine Serial # _____

Hull Number __DMA_____ Ignition Key # _____

EdgeWater Power Boats, LLC. reserves the right to make alterations in the standard and optional equipment without incurring obligation to those boats already having been built. Every effort has been made to ensure that the information in this manual accurately describes vessels being built at the date of printing.

Table of Contents

Chapter 1	General Information	6
1.1	General	6
1.2	Owner / Operator Responsibilities	6
Chapter 2	Helm Control Systems	7
2.1	General	7
2.2	Steering System.....	7
2.3	Engine Throttle and Shift Controls	7
Chapter 3	Propulsion System	8
3.1	General	8
3.2	Engine Cooling System.....	9
3.3	Propellers	9
3.4	Engine Power Tilt and Trim.....	10
3.5	Engine Instrumentation	10
Chapter 4	Fuel System	12
4.1	General	12
4.2	Fuel Fill	12
4.3	Fuel Vent.....	12
4.4	Fueling	12
4.5	Fuel System Maintenance	13
4.6	Fuel Filters	13
Chapter 5	Electrical System	13
5.1	General	13
5.2	Accessory Panel Switches.....	13
5.3	Electrical System Maintenance.....	14
Chapter 6	Raw Water & Freshwater Systems	14
6.1	General	14
6.2	Livewell Operation	14
6.3	High Pressure Washdown	15
6.4	Freshwater System	15
6.5	Water Systems Maintenance	15
Chapter 7	Drainage System	16
7.1	General	16
7.2	Drain System Maintenance.....	16
7.3	Cockpit Drains.....	16
7.4	Transom Bilge.....	16

7.5 Locker Drains	17
7.6 Aft Fishbox Drains.....	17
7.7 T-Top Drain (optional T-Top)	17
Chapter 8 Safety Equipment.....	17
8.1 Required Safety Equipment	17
8.2 Suggested Safety Equipment - Inshore	18
8.3 Suggested Safety Equipment – Offshore.....	18
Chapter 9 Safe Operation.....	19
9.1 Pre-Cruise Check List	19
9.2 Basic Rules of the Road	20
9.3 Safe Operation.....	21
9.4 Towing or Being Towed	22
9.5 Stopping the Boat	22
9.6 Docking	22
9.7 After Operation	23
9.8 Trailering Your Boat	23
9.9 Launching Your Boat	24
9.10 Retrieving Your Boat.....	24
Chapter 10 Routine Maintenance	25
10.1 Exterior Hull and Deck	25
10.2 Engine.....	26
Chapter 11 Exterior Equipment.....	26
11.1 Anchor Locker.....	26
11.2 Boarding Ladder	27
11.3 Trim Tab.....	27
Chapter 12 Seasonal Maintenance.....	27
12.1 Engine.....	27
12.2 Hull.....	28
12.3 Storage	28
12.4 Trailer.....	28
Appendix	29

1/General Information

1.1 General

Your EdgeWater 245CC is a semi-custom offshore fishing vessel that is designed to be powered by either single or dual engines.

1.2 Owner / Operator Responsibilities

Registration

Registering your boat is important to you. Federal Law requires that all powered, undocumented vessels be registered in their state of principal use. Contact the appropriate agency in your local state to obtain specific registration information.

Reporting Boating Accidents

All boating accidents must be reported to the proper authorities in the state which the accident occurred. If someone dies or disappears as a result of the recreational boating accident, it must be reported immediately, with a formal report being made within 48 hours. If there is damage of more than \$500, or if the boat is completely lost, a formal report must be made within 10 days.

Questions regarding accidents may be directed to the Boating Safety Hotline, 800-368-5647.

Education

Whether or not you are an experienced boater, attending a Boating Education Course can be beneficial. If you are inexperienced, it is the best, safest way to begin your life on the water. If you are an experienced boater, it's always good to sharpen your skills.

Required Equipment

The U.S. Coast Guard requires certain equipment on each boat. In addition, they also set minimum equipment and safety standards. For more detailed requirement information, obtain "Federal Requirements And Safety Tips For Recreational Boats", by contacting the Boating Safety Hotline, 800-368-5647.



Some states and local agencies require equipment that is not required by the U.S. Coast Guard. Your local agency or dealer can provide specific information regarding these non-standard requirements.

2/Helm Control Systems

2.1 General

The helm station is the control center for the boat. The main control systems are the engine throttle and shift controls, the steering system, and the trim tab controls. These provide the operator the ability to control speed, direction, boat trim, and attitude. Each manufacturer provides manuals on the operation and use of their systems.

2.2 Steering System

General

The manual which comes with your steering system provides specific information on your steering system.

The standard hydraulic steering system has two main components: a helm assembly and hydraulic cylinder. Turning the helm, which pumps fluid in the hydraulic hoses, activates the hydraulic cylinder and causes the motor to turn. The helm acts as both pump and reservoir. Please see diagram in the manual's appendix for a visual representation of this system.

While running at slow speeds, most boats tend to wander slightly back and forth. Keeping the wheel in the center without overcompensating for the slight wandering will prevent over steering and reduce the tendency to wander.

Steering System Maintenance

Routine system inspection should occur regularly. Cables, hoses, linkage and helm assemblies should be inspected for wear, corrosion, cracking, or deterioration. Cleaning and light grease should be applied to all exposed metal parts and other damaged or deteriorated parts should be replaced as soon as possible

2.3 Engine Throttle and Shift Controls

Refer to the engine manual supplied with your engine for specific information on your controls. The ones depicted are those supplied by Yamaha.

There are three major components of the engine throttle and shift controls: handles, throttle cable, shift cable. Throttle and shift cables are push-pull and are connected to the fuel system (carburetor or fuel injection) and the other to the shift rod linkage. By moving the handles forward and back, the operator engages the cables thus controlling the amount of fuel being used and the gear selector for forward, neutral and reverse. Careful use of the controls provides smooth, responsive and safe operation.



Do not bring the throttle back abruptly to stop the boat unless it is an emergency. Allow time for the engine RPM to come down to idle before shifting to reverse or severe gearbox damage could occur. PLEASE REFER TO YOUR ENGINE OWNER'S MANUAL FOR FURTHER OPERATIONAL PROCEDURES FOR YOUR OUTBOARD.

Engine Stop Switch

This device is designed to prevent the operator falling overboard while the engine remains running. The engine stop switch lanyard should always be worn by the operator, while the boat is in motion. Pulling the lanyard from the control will stop the engine. If the engine will not crank properly, the lanyard may not be properly attached to the engine stop switch.



Do not use the engine stop switch to stop the boat unless it is an emergency as it may impair your ability to quickly re-start the engine.
****NOTE** Each ignition key has a 3 digit number stamped on it. Please record this number for future reference on the service information page in the front of this manual.**

3/Propulsion System

3.1 General

Your new EdgeWater 245CC is designed to be powered by either a single or dual outboard motors. Most 2-cycle outboards currently use an automatic system to mix the oil with the gasoline before the engine uses it. If equipped with a 2-cycle engine(s), there will be an oil tank(s) in the aft port locker. Make sure the oil tanks always have a sufficient amount of the recommended 2-cycle oil for your cruise, plus some reserve. 4-cycle engines require oil be maintained in the crankcase. Always check the crankcase oil level before each day's run.



Always follow the manufacturer's recommendations and use only the recommended oil types.



Don't attempt to service your outboard or any of its components unless you are thoroughly familiar with its operation and dangers. Many of the moving part components are exposed and can pose an extreme danger to anyone unfamiliar with their operation. Always leave the servicing to a qualified technician.

Each manufacturer provides manuals designed to assist you in the proper operation and maintenance of your new engine(s). Follow their guidance and schedules for proper operation of your new engine(s). With a modern outboard there is little to do as long as proper maintenance is performed, in accordance with the manufacturer's recommendations. If the boat is to be kept in saltwater for an extended period, electrolysis and marine growth can become a problem. When leaving your boat in salt water overnight or for an extended period, tilt the engine(s) as high out of the water as possible. This will decrease the possibility of marine growth on the outside of the engine(s), as well as reduce the potential of marine growth compromising the cooling water inlets in the lower unit(s), which can cause overheating.



Do not paint your outboard's lower unit(s) with paints designed for boat hulls. Some can cause severe damage to your engine. Check with your engine manufacturer to get their recommendation.

Do not attempt control adjustments unless you are very familiar with their function, operation and adjustment. Failure to properly adjust the system components can adversely affect your boat's performance and safety. Mis-adjustment can also cause severe control, engine or lower unit damage.



Please return all warranty cards for boat, engine(s) and other related items. This will assist you in the event you have a warranty problem.

3.2 Engine Cooling System

Most outboard engines are cooled by water taken in through ports in the lower part of the drive section. Make sure these ports are free of debris or other items that might cause the flow to be restricted. Maintain a routine vigilance to see that the visual inspection streams have a steady flow of water. If they do not, shut down the engine to see if they are clogged or if there is a more serious problem. Be especially watchful if you have gone through an area of vegetation or shallow water as the intake ports can become clogged with weeds, dirt or other debris.



Do not run your outboard without water coming into the lower unit. The water pump impeller can be damaged in only seconds of this type of operation.

3.3 Propellers

A turning propeller moves the boat through the water, forward or backward. They should always be clean and free from nicks or dings, which can adversely affect performance. Your dealer can assist you in the proper selection of a propeller for your boat. This selection is based on the horsepower of the engine and its relationship to the size and weight of the boat.

Propeller sizes are determined by two numbers, which appear on different propellers at various locations. They are listed in sequence, for example 13 x 17. The first number is the diameter of the propeller and the second is the pitch. Pitch is the theoretical distance the propeller moves through the water with each complete revolution. The larger the number the greater the theoretical movement. It also follows that the larger the number the greater horsepower is required to turn it. With a load which is "normal", or usual for your boating activities, the engine should be able to reach its maximum operating RPM range at wide open throttle (WOT). With a light load on smooth water, the engine should reach its manufacturer's rated maximum operating RPM at wide open throttle (WOT) and maximum trim. If it does not, you may have a propeller which has too much pitch. If it goes beyond the maximum recommended RPM range, you may have too little pitch. Neither condition is good for the engine. You will get shorter engine life and poorer performance than your boat and motor were designed to provide.



If your boat came from the factory with a propeller selected by EdgeWater, it should already be optimized for the performance of your boat. Before changing the pitch or diameter of your propeller, always check with your dealer to determine how the changes will affect your boat and engine performance. Certain modifications such as bottom paint or options that affect weight balance and/or wind resistance may lower peak rpm. Always check with your dealer first if optimum rpm can not be attained.

3.4 Engine Power Tilt and Trim

The power tilt and trim system on your outboard(s) provides the ability to optimize the running angle of your EdgeWater 245CC to allow for load and sea conditions. Moving the outboard lower unit toward the transom is generally referred to as trimming “in”, while moving the outboard lower unit away from the transom is referred to as trimming “out”. It is generally best to have the engine(s) trimmed in for acceleration from displacement to planning mode. This brings the bow down and requires less fuel and effort on the engine’s part to plane off the hull.

The first 20° of movement aft of the transom is referred to as trim and is the area generally used to operate the boat while on plane. The area beyond the first 20° is referred to as tilt and is usually reserved for operating in shallow water or pulling up on a beach.

While running under normal conditions, the bow should be in a 3° to 5° up angle to maximize the hull’s ride and performance. When sea conditions are rougher than normal, bringing the bow slightly down may improve the ride and will also allow the boat to remain on plane at a lower speed.



Watch the hoses and cable on your engine(s) as it is tilted to its full tilt position. They may become caught and damaged if the engine is in the wrong position.

3.5 Engine Instrumentation

The following is presented to familiarize you with the instruments, which may be on your boat. Every boat is not equipped with full instrumentation.



All factory installed Yamaha engines include Yamaha’s digital multifunction tachometer and speedometer. Refer to your engine operators manual for use details.

Tachometer

The tachometer displays the number of revolutions per minute (RPM) the engine is turning. There is a designed operation RPM range for the engine. Become familiar with the operating range of your engine and its operating characteristics. The tachometers designed to aid the boater to assure the engine performs within that designed range. The tachometer can be used to better understand the performance of your engine and your EdgeWater 245CC. By monitoring your tachometer as you operate your EdgeWater, you will find RPM ranges that work better in certain sea and load conditions. Be alert the tachometer operation may provide an early indication of difficulty, before it becomes irreversible.

Speedometer

The speedometer indicates the boat speed in miles per hour. Some types work using a spinning wheel to determine the boat speed. Their accuracy can vary from the actual over the bottom speed due to many factors. Other boat speedometers calculate the speed by amount of pressure the moving water forces into a “pitot” tube. These gauges should only be used as indicators of approximate speed and not used as absolute speed indicators. **NOTE:** All Yamaha speedometers utilize a pitot tube. In the event that erroneous speed readings appear, it is likely caused by debris clogging the pitot tube. Consult with your dealer on methods to clean the tube and restore normal operation.

Temperature Gauge

This is designed to monitor the operating temperature of your engine's cooling system. A sudden rise from the normal should be investigated to determine if there is an obstruction in the cooling system.

Water Pressure Gauge

This gauge measures pressure in the engine cooling system. If the pressure changes from the norm it could indicate a complete or partial blockage in the system or a water pump problem. If this does not return to normal, your dealer should check it to make sure the cooling system is operating properly. NOTE: Factory rigged boats are not equipped with water pressure gauges.

Fuel Gauge

This gauge indicates the amount of fuel in the fuel tank. It is always prudent to follow the "rule of thirds", one-third of the tank to get the destination, one-third to return, and one-third in reserve. NOTE: It is important to "calibrate" your fuel gauge during your first initial boat trip. Record the fuel reading prior to fill up and how many gallons to top off the tank at each fill-up. Make sure the boat is floating the the same position. By subtracting the amount to top off from total fuel capacity you can calculate gallons remaining in the tank for 3/4, 1/2, and 1/4 gauge readings.



This gauge is a measure of relative fuel supply and is not a calibrated instrument!

Voltmeter

This meter displays the voltage for the battery and charging system.

Hour Meter

The hour meter keeps a record of operating time and is very useful for scheduling maintenance.

Engine Alarms

Most outboards are equipped with several audible engine alarms. Your engine owner's manual will familiarize you with these and their sometimes-distinctive sounds.



Warning: If an engine alarm sounds, shut down the engine until the source of the problem is determined.

Compass



The compass assists in determining your location by indicating your position relative to magnetic north. For accuracy, your compass may need to be adjusted to take into account specifics of your boat and geographic location. Please refer to the material provided with your compass for "compensation".

Instrument Maintenance

Your instrument faces should be periodically cleaned to keep them free of salt and atmospheric debris. The ignition switches should be periodically sprayed with a contact cleaner/lubricant to keep them free of corrosion and dirt.

4/ Fuel System

4.1 General

All fuel systems and components on your EdgeWater 245CC have been checked and each fuel tank has been pressure tested. This inspection and pressure testing assure that your fuel system is leak proof and safe. It is the purchaser's responsibility to maintain the fuel system in a safe manner. Make periodic inspections to determine the system is still safe and free from leaks. Special care should be taken when inspecting joints and connections to make sure they have not loosened with vibration.

The EdgeWater fuel system has been designed to meet or exceed the requirements of the U.S. Coast Guard, the National Marine Manufacturers Association, and the American Boat and Yacht Council, which were in effect at the time of your boat's manufacture.



If any odor of gasoline is detected, immediately shut off all engines and electrical devices until the source and condition of the odor has been determined and eliminated. Have a fire extinguisher at the ready until the condition has been resolved.

4.2 Fuel Fill

The fuel fill cap is located on the port side and is labeled "GAS". The fill is opened by turning it counterclockwise, and closed by turning the cap clockwise. Tighten the cap until it is snug, not so tight it cannot be removed at the next fuel stop, or so tight that the rubber o-ring is damaged, allowing water to enter the system.

4.3 Fuel Vent

This vent is located and incorporated into the fuel fill cap. This vent allows air to escape from the tank and thus allows fuel to enter. Make sure this vent is kept free from debris.

4.4 Fueling

Your EdgeWater 245CC is equipped with a built-in 140 gallon fuel tank. Before fueling, you should follow these procedures.

- Make sure the boat is securely moored.
- Make sure all switches are off and all cigarettes are extinguished.
- Know the location of the fire extinguisher in case of an emergency.
- Remove the fuel fill cap.
- Place the nozzle firm against the side of the opening to prevent static discharge

- Begin fueling.
- When the tank is full, stop fueling.
- Remove the fuel nozzle.
- Install the fuel cap.
- Check the area for fuel odors.



Warning: If fuel odors are detected, do not start the engine! Check to make certain there are no leaks or system problems before starting the engine.



Warning: Do not fill the fuel tank while the engine is running. Do not allow smoking or open flames within 50 ft. of the fueling area. Fuel is very flammable. To prevent damage to the engine, use only fuels without harsh additives or alcohol. Refer to your engine owner's manual for specific fuel requirements.

4.5 Fuel System Maintenance

Regularly inspect the fuel system components. All lines, fittings, and bulbs should be flexible and not corroded. If fittings or other components are found to be cracked, they should be replaced at once. If you use your boat infrequently or do not use it for an extended period of time, a fuel conditioner should be added to a full tank of fuel to prevent fuel deterioration and damage to the fuel system.

4.6 Fuel Filters

Fuel filters are installed on the backside of the aft deck access doors. These are fuel/water separator type of filters and are designed to prevent water from entering your engine. The fuel filter element is a spin-off type element. At a minimum, this element should be replaced at the beginning of every boating season. Always carry a filter wrench and spare filter of the type supplied on your boat.



5/Electrical Systems

5.1 General

Your EdgeWater 245CC operates on a 12 volt DC system, similar to your automobile. The battery or batteries are typically lead acid type and require similar maintenance to your car's battery. An electrical schematic is included in the Appendix for specific location of electrical components.

5.2 Panel Switches

Your EdgeWater 245CC is equipped with panel mounted breakers. On the 245CC, switches are provided for navigation lights, decklights, manual bilge pump, livewell, raw and freshwater pumps, fishwell pumpout, spreader lights for t-top, and 4 accessory switches. A wiring diagram is included with this manual to assist you in troubleshooting the boat's electrical system. Please note that the accessory circuits are each protected by a circuit breaker. Check that the requirement of any device you install does not exceed the rating of the circuit breaker being used.



When equipped with dual batteries the boat will have a battery selector switch which provides isolation for each battery and also provides the ability to have a back-up in case of a dead or weak battery. When in port and running accessories

such as entertainment equipment or pumps, the selector switch should be set on “1” or “2”. When leaving the boat unattended, the selector switch should be in the “OFF” position.



Current is supplied to the automatic float switch and the bilge pump even when the battery selector switch is in the “OFF” position.



Avoid running the selector in the “both” position, as the weak battery will drain the charged battery, leaving you with two weak batteries. Instead, start the engine using the charged battery. Once the engine is running, turn the battery switch to the “both” position to charge both batteries.

5.3 Electrical System Maintenance

At the beginning and end of each season the exposed electrical components of the switch panel should be sprayed with a non-conductive rust/corrosion inhibiting spray. Light bulb connections and running light connections should be covered with a non-water soluble lubricant. Care must be taken not to get grease on the glass portion of the lights as it will cause them to overheat and burn out. Inspect all wiring for breaks, loose terminals and sound insulation. Replace worn or deteriorated components. Check the electrolyte level in the batteries regularly and fill with distilled water, as necessary. **DO NOT OVERFILL.**

6/Raw Water & Freshwater Systems

6.1 General

If your boat is equipped with an optional freshwater system, the components will be a freshwater tank, distribution lines, a shower head assembly, and a pump. The standard raw water system consists of a high speed pick-up, located on the transom, a pump and one or more livewells and washdowns.

6.2 Livewell Operation

The livewell is filled by a low maintenance centrifugal pump installed in the bilge. The pump is controlled by the livewell switch on the control panel. To operate properly, the valve inside the livewell must be adjusted to provide an even flow in and out of the livewell. Too much and it will be more than the drain can handle, too little and the water will not get the proper circulation. The valve should be turned counterclockwise to open and clockwise to close. There is a strainer attached to the overboard drain to regulate the height of the water level. The livewell drains through a hose connected to a thru hull fitting on the port side of the boat. To completely drain the livewell, remove the bottom plug and allow the water to drain overboard. A diagram of the raw water system is included with this manual.

6.3 High Pressure Washdown

The washdown system is comprised of a diaphragm pump, mounted on the starboard stringer aft of the fuel tank cavity and accessed through the doors on the rear wall of the deck, and a washdown fitting to attach a hose. The pump is controlled by the washdown switch on the control



panel. The diaphragm pump is fed through the same thru hull and high speed pickup as the livewell pump. The washdown hose outlet is located forward under the starboard gunnel board. With an attached hose, this system can be used to wash debris from the boat. The switch should be turned on immediately prior to use and turned off when not in use. When activated, the pump's pressure switch will automatically control the pump. It

is normal for the pump to cycle on and off in response to flow rates and water demand.



Always turn off the high pressure washdown pump switch when leaving the boat unattended.

6.4 Freshwater System

The freshwater system is comprised of a diaphragm pump, mounted on the starboard stringer aft of the fuel tank cavity and accessed through the doors on the rear wall of the deck, and a shower head assembly. The pump is controlled by the freshwater switch on the control panel. The diaphragm pump is fed by a freshwater tank located in the aft end of the fuel tank cavity. The shower head assembly is located on the starboard side of the transom area. The freshwater switch should be turned on immediately prior to use and turned off when not in use. When activated, the pump's pressure switch will automatically control the pump. It is normal for the pump to cycle on and off in response to flow rates and water demand.



Always turn off the freshwater pump switch when leaving the boat unattended.

6.5 Raw Water System Maintenance

The following checks should be made periodically to assure your system operates properly:

- Periodically spray pumps with a protective silicone solvent to reduce corrosion.
- Periodically check in-line filter to remove any collected debris.
- Fishboxes and livewells should be drained and cleaned after each use.
- Periodically check hoses and connections for signs of deterioration.

7/Drainage System

7.1 General

All water drains from your EdgeWater 245CC by gravity. Your boat is self-bailing at rest. It is important to check drains frequently to make sure they are clear and free flowing. Review the schematic in the Appendix and become familiar with the location of each thru-hull drain.

7.2 Drain System Maintenance

Essential tasks must be done periodically to maintain your boat's ability to drain in adverse conditions.

- Clean cockpit drains to remove debris or other foreign objects which could prevent boat from draining properly.
- Check bilge area for debris and foreign material, which can cause automatic switches to malfunction.
- Flush drains to keep free flowing and clean.

7.3 Cockpit Drains

Your EdgeWater 245CC drains aft through two cockpit drains located at the aft deck area. The deck is designed to take water and drain it overboard. The drains should be checked periodically to make sure they are clear running and free from debris. When washing the boat down after use, use a hose nozzle with a high pressure stream to make sure they are free running.

7.4 Transom Bilge

Your EdgeWater 245CC has a hull bilge where the raw water pump and automatic bilge pump are located. The bilge pump is designed with an internal float so that it automatically turns on if the water in the sump rises, or it may also be activated by a momentary switch on the panel. This pump should be periodically checked to make sure it is working properly and that the drain screen is clear. To check the pump, squeeze the pump sides and lift it from the base, which is fastened to the hull. The screen will be easily seen and if there is debris, it may be cleaned and replaced. Replace the pump assembly and check its operation by turning on the momentary switch on the helm switch panel.

When the boat is out of the water it may be drained by a thru hull drain located at the bottom of the transom. This drain has a brass plug that may be removed with a 1/2" wrench. This plug should be periodically checked for tightness.



Note: The bilge sump area should be checked for oil before operating the bilge pump. The discharge of oil from a bilge area is illegal and is subject to a fine. The Federal Water Pollution Control Act prohibits the discharge of oil or oily waste into or upon the navigable waters of the United States or the waters of the contiguous zone if such discharge causes a film or sheen upon, or a discoloration of the surface of the water, or causes a sludge or emulsion beneath the surface of the water. Violators are subject to a penalty of \$10,000.

7.5 Locker Drains

On the 245CC, there is a forward anchor locker which drains directly through the hull. There are also bow storage lockers on the deck, with the port side draining overboard and the starboard side draining to the deck. These lockers are close to the waterline of the boat. It is possible that under certain conditions sea water may enter the lockers. This is normal and no cause for alarm, some water may remain in the rear most part of the lockers. If you are using the port locker for something other than fish & ice, (i.e. dry storage) use the rubber plug provided in the owner's bag to prevent sea water entry. A diagram of the raw water system is included in the Appendix.

7.6 Aft Fishboxes

The aft fishboxes are plumbed to a general purpose pump mounted in the aft bilge area. The pump is controlled by the fishwell pumpout switch at the helm. The pump discharge is located on the starboard aft hull side. Note that this system should be cleared of all water prior to winter storage to prevent damage to the pump or fittings. To accomplish this, disconnect the hose from the "tee" to the pump and allow all water to drain from the system then re-attach the hose.

7.7 T-Top Drain (optional T-Top)

There are small holes drilled into the bottom of the T-top to facilitate the removal of any water that might inadvertently get into the structure. These should be periodically checked, especially during freezing weather, as trapped water could freeze, expand, and damage the hard-top.

8/Safety Equipment

8.1 Required Safety Equipment

Contact the U.S. Coast Guard Boating Safety Hotline at 1-800-368-5647, or 1-202-267-1070 to obtain a pamphlet on the latest required and suggested safety equipment. The Coast Guard Auxiliary also offers "Courtesy Examinations" to help ensure your boat is properly equipped.

The following is a list of required safety equipment to be aboard your boat. This may be modified from time to time and it is suggested that you contact the U.S. Coast Guard Boating Safety Hotline at 800-368-5647 or pick up a copy of the latest "Federal Requirements and Safety Tips of Recreational Boats" pamphlet.

- Personal Floatation Devices (PFD's)

These must bear a tag that they have been approved by the U.S. Coast Guard and must be in serviceable condition. They must also be of the appropriate size for the wearer, i.e. for children there must be children's life vests on board. Many states now require children to wear PFD's at all times. You should check with your state to determine the proper requirements. You should maintain at least one Type I, II, or III PFD for each person on board, plus one throwable device, a ring or boat cushion, Type IV.

- Visual Distress Signals

These are now required in virtually all waters of the United States. If in doubt, please check with the U.S. Coast Guard Boating Safety Hotline at 1-800-368-5647 for a specific answer.

- Pyrotechnic Visual Distress Signals

These must be U.S. Coast Guard approved, be in a serviceable condition, and be readily accessible. They each have a service life date and are not counted beyond this date. These types include both hand held flares and aerial flares.

- Sound Signaling Device

You must have an efficient means of making a proper sound signal in the event of distress or poor visibility. This may be a horn, whistle, or bell.

- Navigation Lights

These come with your EdgeWater and meet U.S. Coast Guard requirements. It is important that you periodically check to make sure they are in working order. It is very important these be checked prior to any cruise which will keep you on the water after dark.

- Fire Extinguisher

A fire extinguisher is standard on all EdgeWater boats. These require regular inspection to make certain they are ready for use. Questions may be directed to the U.S. Coast Guard Boating Safety Hotline at 1-800-368-5647, or 1-202-267-1070. You should, as part of routine boat maintenance, check to make sure your extinguisher is still operable.



Never discharge your fire extinguisher to see if it still works. This will cause it to lose pressure. If it is accidentally discharged or if it is used on a fire, replace it immediately.

8.2 Suggested Safety Equipment - Inshore

Suggested safety equipment, over and above the required equipment is:

- First aid kit and manual
- Boat hook
- Tool kit
- An adequate number and size of line should be on the boat. Bow lines should be at least 1/3 longer than the boat's length and stern lines at least as long as the boat. When operating in areas with unusually high tidal range, this should be lengthened. The minimum size line for a small boat is 3/8" diameter 3 strand nylon. Refer to one of the listed references in the Appendix for a complete discussion on line size relative to boat length.
- Waterproof flashlight, with good batteries
- Spare batteries
- Spare boat keys
- Binoculars
- Tow line. This should be a minimum of 50' long with at least one size increase over the boat's mooring lines.
- Day/Night visual distress signals
- Local charts and compass
- Properly sized anchor and line
- Fenders of the proper size



Always carry water, even for a 10 minute cruise.

8.3 Suggested Safety Equipment – Offshore

In addition to the required equipment, and the suggested inshore equipment, there is additional equipment which is prudent to have when venturing offshore. No matter what the conditions at the start of the trip, the situation can change rapidly and all your equipment and skill can be required to safely bring your crew home to safety.

- VHF radio
- A supplemental, portable VHF is also a good back-up
- Sunscreen
- Spare propeller and the knowledge of how to properly change it, if required
- Extra clothing for changeable weather conditions
- Spare anchor with sufficient line for the water depth
- Mirror
- Charts

9/Safe Operation

9.1 Pre-Cruise Check List

- Check provisions. Make sure you have plenty of water in the event you have a problem and are delayed.
- Check the weather forecast. Avoid sea conditions that are beyond the experience of yourself and your crew.
- Do you have the correct safety gear aboard and is it in good working order?
- Make sure all fire extinguishers are in good working order.
- It is advisable to carry jackets or foul weather gear in the event of adverse weather conditions.

Your EdgeWater 245CC is equipped with a maximum capacity rating plate permanently affixed to the helm area of your boat. It will provide information regarding the maximum number of people you can safely have aboard, the maximum amount of weight the boat can safely carry, and the maximum horsepower your boat was designed to handle.



Do Not Overload your boat.

Before Starting the Engine

- Determine if the trip can be safely made by checking the weather.
- Are all the proper boat and personal documents on board?
- Check operational equipment, such as running lights and horns to make sure they are on board, and operable.
- Make sure there are enough provisions for the cruise.

- Leave a float plan with someone who can notify authorities in the event you do not return in the allotted time.
- Double check the fuel and engine oil levels.
- Set the battery switch for the proper setting.
- Check the emergency stop lanyard to see if it is properly attached, and that the shift lever is in the neutral position.
- Check fuel and oil to make sure you have more than enough for the planned trip.

Remember the rule of thirds: 1/3 out, 1/3 back, and 1/3 in reserve.

After Starting the Engine

- Upon initial start-up, make sure to follow the manufacturer's recommendations for engine break-in
- Check to be sure there is a tell-tale water stream exiting the engine.
- Check the gauges to determine if everything is nominal.
- Check to make sure everything is secure and properly stowed away; remember the boat's movement is dynamic and anything that is loose will become a hazard at the worst possible time.
- Have a great time on the water



Remember that the captain is responsible for the safety of the crew and passengers and for his/her boat's wake damage.



Never operate the boat while under the influence of alcohol!

- Make sure someone else on-board knows how to operate the boat in the event you are injured and unable to operate the boat.



If you are operating the boat for the first time, make sure you follow the engine manufacturer's break-in recommendations. This will assure proper break-in and reduce the possibility of engine problems.

9.2 Basic Rules of the Road

The following is not intended to be a comprehensive course in seamanship and rules of the road, but instead an introduction. It is strongly recommended that a boating safety course be taken from your local Coast Guard Auxiliary or local Department of Natural Resources. There are also many good reference books in your local library as well as numerous sites on the internet.



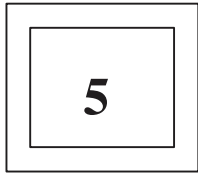
Remember, paddle boats, sailboats and other vessels (such as barges) which are unable to maneuver, always have the right of way over powerboats. Sail boats, when under power, are considered motor boats. However, always boat defensively.

Aids to Navigation

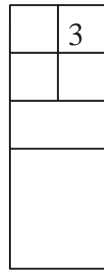
Along the coast lines and in navigable inland waters, aids to navigation have been placed by the U.S. Coast Guard. These have been placed for the boating public's safety. Please become familiar with them and learn to use them to make your boating safer and more fun.

Federal Waterways Marking System Aids

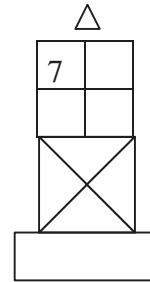
Lateral Aids as seen from Seaward (portside green)



Daymark

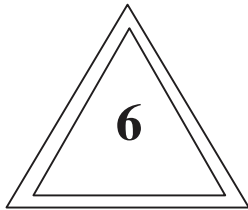


Can Buoy

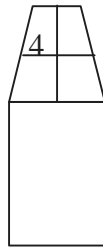


Lighted Buoy
(green light)

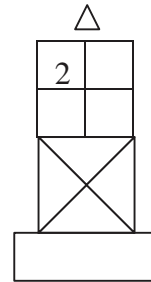
Lateral Aids as seen from Seaward (starboard side red)



Daymark



Nun Buoy



Lighted Buoy
(red light)

9.3 Safe Operation

Getting Underway

After clearing the dock, make sure the power trim (if so equipped) is trimmed down. (This will bring the boat up on plane more quickly and easily.) Give the engine sufficient throttle to bring it to plane briskly, then back down to the cruising speed of your choice, based on the sea conditions and your planned activity.

- After coming on plane, raise the trim to a point where the engine is level with or slightly above the plane of the water. This is usually with the bow at about 3° to 5° above level. This will provide the smoothest, most economical operation.
- Keep a constant vigil for other boats and watercraft and be prepared to give way, or slow down, if necessary. (We suggest you enroll in a boating safety course offered by the U.S. Power Squadron or the Coast Guard Auxiliary.)
- When coming off plane, allow the engine to come back to an idle speed until the boat slows down.
- Shift to the neutral position.



Never allow anyone to sit on the gunwale while the boat is moving!

While underway keep a constant vigil for other craft that may be approaching, the gauges on your boat, location of passengers and the general sound and feel of your craft. Often, a change in the way the engine sounds or the boat feels will presage a problem. Your early attention may prevent a more serious problem.



If you should strike an underwater object, bring the throttle to neutral and stop the engine. Inspect the lower unit for damage. If none is apparent, proceed as before but heighten your awareness of the engine and its operation to make sure a problem has not gone undetected.

9.4 Towing or Being Towed

Sooner or later you will have the misfortune of having to be towed in or needing to tow someone back to a safe landing. It is important that this be done properly so that a difficult situation does not become worse. This comes under a longstanding, unwritten law of the sea that one boater will aid another in time of distress. The 1971 Boating Safety Act grants protection to those assisting others at sea as "Good Samaritans" and absolves them of civil liability rising from the aid being provided.

When being towed, it is best to have a line passed from the tow boat to the one being towed, assuming the towing boat has a line of adequate size and length. The tow boat should also tow the disabled vessel from as close to amidships as possible. This reduces the tendency to yaw. If possible, the towing boat should use a bridle attached to the two stern ski tow eyes. The vessel being towed should attach the tow line to the bow eye that holds the boat onto the trailer. This provides an optimal tow position and a strong tow point. Have the occupants of the boat being towed sit aft of amidships, but not all in the stern. Attention should be given so the boat remains balanced and on an even keel. Some boats tow better with the engine tilted out of the water, others need the engine to act as a rudder to be able to maintain a straight line. Start with the engine tilted. If that does not work well lower the engine until it is about perpendicular.



You should never attempt to plane off the boat being towed.

9.5 Stopping the Boat

Gradually bring the controls back to the low forward position and allow the boat to gradually slow down. After the boat has dropped into the displacement mode, shift to the neutral position. If you have been running the boat hard for some time, allow the engine to idle for several minutes to gradually cool down. After docking and securing the boat, raise the trim tabs to the fully upright position and turn off the ignition.

9.6 Docking

Safe docking keeps your boat from being damaged and is an indicator of a capable and knowledgeable captain. There are many docking maneuvers, which will be done while boating; only the basics will be discussed here. Several constants to always use as guides while docking:

Perform docking at idle or no wake speeds. Always try to come into wind or current, whichever is stronger. This allows you to use the natural forces on your boat to act as a natural brake. The skipper is free to use the boat's power to control speed and direction.

The approach to the dock should be at roughly a 45° angle, when possible. This approach angle allows the captain to bring the bow close to the dock, and then to use reverse, while turning the wheel toward the dock, to bring the boat to a safe, controlled stop. Never approach a dock on plane. Even after reducing engine speed, the wake will push the boat uncontrollably into the dock.

9.7 After Operation

- Refill the fuel tank and engine oil, if yours is a two-cycle engine. A full fuel tank is less subject to condensation and therefore, less fuel problems. If you will be leaving the boat for an extended period, use a good fuel stabilizer. Each engine manufacturer makes their own and proper use will avoid many fuel related and lay-up problems. Remember, always follow the manufacturer's recommendation.
- If the boat is to be left in the water, make sure it is secure and free to properly accommodate any tide.
- Turn off all electronics and leave the battery switch in the off position. Remember, the bilge pump will operate properly even with the battery switch turned off. On a comforting note, your EdgeWater 245C is fully self bailing and unsinkable. Proper precautions, however, are always prudent.

9.8 Trailering Your Boat



Note: If you have doubts or questions about your tow vehicle or towing, contact your dealer.



Before going on the highway, make sure your tow vehicle and trailer meet the local regulations for trailers and towing in your state.



Before leaving the driveway make sure the lights on the trailer are operating properly. If necessary, get a second person to make sure of the operation.



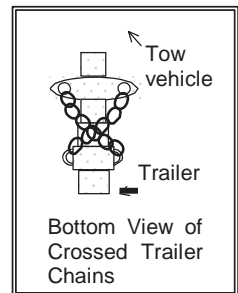
At least once a season, check and repair/replace the trailer wheel bearings.

The trailer should be adequately sized for your boat. Allow about 10% above the maximum boat weight for trailer capacity.

Make sure your vehicle is properly equipped to handle the load. This includes engine, hitch, frame, brakes, transmission cooler, and vehicle capacity.

Securely attached the boat trailer to the vehicle hitch, hook the safety chains and and cross them under the hitch and check the lights to ensure they are hooked up and working.

If you are new to trailering your boat, it is best to practice before actually getting in a situation where you are not sure of your ability. If possible use a trailer without a boat to practice with as you can see the trailer's movement without the boat. Also, your vision will not be impaired by the boat's presence.



When going forward, remember that your trailer turns inside the tow vehicle, therefore the tow vehicle must start the turn slightly later than without the trailer. This allow the trailer to turn inside the tow vehicle radius without leaving the roadway.

When backing, remember, the bottom of the steering wheel will move in the direction the trailer will ultimately go. Backing consists of two parts, breaking the trailer by turning the vehicle's backward

motion in the opposite direction from the ultimate trailer direction, then following the trailer toward the correct direction with the tow vehicle. It is prudent to go to a large paved area with little traffic to practice these maneuvers before attempting them on the boat ramp.



Remember to check to see if the tow ball is the same size as the trailer coupler. Never use a different size.

9.9 Launching Your Boat

When you arrive at the ramp, prepare your boat before getting in the ramp line.

- Make sure the hull plug is in place.
- Place a line on the bow and stern cleats to be at the dock ready.
- Have fenders out and on the proper side.
- Raise the engine so it will not be damaged during launching.
- Make sure the battery switch is in one of the “on” positions, and the boat key is in the ignition.
- Remove any tie-down straps.
- If someone is with you, hand them the free end of the bow line and have them follow the trailer as you enter the ramp.
- Back the boat into the water until it barely floats. Remove the winch line. The boat should now come free with a gentle tug on the bow line.
- Lower the engine, pump the fuel bulb until firm and crank the engine.
- Let it idle for a few minutes to warm up before getting under way.

9.10 Retrieving Your Boat

There are several ways to retrieve your boat. The method described herein requires two persons.

- Drop someone off to back the trailer into the water, or do it yourself. If doing it yourself, make sure you make it easy and safe to exit the boat after it is loaded onto the trailer.
- Back the trailer into the water until the bunks are completely submerged, or until the middle roller is just touching the water. (This depth should provide enough to float the boat until the last minute and yet provide enough resistance from the trailer to stop the boat short of the winch stand.)
- Drive the boat onto the middle of the trailer. This is assuming it is a trailer designed for drive on. Speed should not be over one or two knots. Fast enough to maintain steerage but slow enough to be easily controlled.
- Once the boat has touched the trailer, a little forward throttle should secure the boat on the trailer and allow you to put the engine in neutral and have the winch line attached to the bow eye. The boat should now be easily winched onto the last several feet of the trailer.



When properly done, this method is easy, safe and will not harm boat ramps by powering away the soil from the base of the ramp.

10/Routine Maintenance

10.1 Exterior Hull and Deck

Fiberglass

When you remove the boat from the water, clean it as soon as possible. Dirt, debris and grime will come off easier while it is still wet. Use a brush and biodegradable boat cleanser. Stubborn areas may be cleaned with a non-abrasive cleaner. Harsh abrasives and chemical cleaners are not recommended as they can damage the gelcoat, shorten its life, and make it more susceptible to stains. When used in saltwater, the boat should be washed after each use. NOTE** Do not use any cleaners containing ammonia or with extremely high or low PH levels as this will effect condition of gelcoat.

The hull should be waxed periodically, at least once a year, with a high quality wax. This will keep it shiny looking and help prevent chalking and aging. The wax will also make it easier to keep clean by closing the pores that trap the grime.



If the boat is to be kept in freshwater or saltwater for an extended period, a proper barrier coat and bottom paint must be applied to prevent possible Gel Coat blistering.



Do not wax non-skid areas. It could make them slippery and increase the possibility of injury.

Stainless Steel Hardware

The stainless steel hardware of your boat should be cleaned and washed after each boat use, especially in salt or polluted water. While it is “stainless” it is not “stain-proof”. If it is not cleaned, it can develop surface rust stains. It can be protected with a high quality automotive or boat wax. It can also be protected with a commercial metal cleaner and protectant.

Anodized Aluminum

The aluminum can be maintained with a regular washing with soap and water. Otherwise it can develop a surface corrosion, which can penetrate the anodizing and attack the aluminum underneath. If badly scratched, it can be repaired with an aluminum or silver paint.

Chrome Hardware

Use a good metal polish and protect with wax. This should be done every couple of months or as soon as you notice any finish deterioration.

Plexiglas

Do not use products with ammonia on your Plexiglas windscreen. It can mar the surface and reduce its transparency. A mild soap and water or non-ammonia cleaner will work well. In addition to ammonia, cleaners should not be used which contain solvents, acetone, or alcohol.

Upholstery

Soap and water should be periodically used to clean the vinyl. Vinyl protector products can make the seats slippery, which may not be desirable. When cleaning the vinyl, be gentle. Do not use cleaners that contain ammonia, acetone, strong solvents, or powdered abrasive cleaners. They can damage and shorten the vinyl's life.

Sump Area

Your EdgeWater has a bilge area in the after part of the boat. This can be maintained well by periodically using a boat bilge cleaner. Follow the directions carefully.

10.2 Engine

If you have a new engine with a built-in flushing device, the engine may be flushed without cranking. If the engine does not have a built-in flush device, one may be purchased to fit.

To flush the engine, after connecting a water hose to the proper connection, turn on the water. Put the engine control in the idle position and crank the engine. Only let it run a couple of minutes. The gear case is water-cooled and is not designed to run out of the water for extended periods.



Do not crank the engine without water running. Water acts as a coolant and also a lubricant for the water pump.



Do not rev the engine when flushing; idle speed is sufficient!

The exterior of the engine will respond well to a good quality wax. This should be re-applied every several months as the marine environment is a very harsh one and the constant sun exposure will deteriorate your motor's finish. Consult the engine manufacturer's owner's manual for specific instructions. In areas where there is a conflict between this manual and the engine manufacturer's manual, the engine owner's manual will take precedence.

11/ Exterior Equipment

11.1 Anchor Locker

The anchor locker on your new EdgeWater 245CC has been designed for a danforth style 8 S anchor. On the 245CC the anchor locker is located forward on the centerline. Before using the anchor for an extended period or overnight, make sure the free end of the anchor line is shackled to the boat's forward eye. On the 245CC your anchor line should have a shackle attached to the free end which is then attached to the eye in the anchor locker at all times.



Remember, your anchor line should be a minimum of 7 times the depth in which you routinely operate.



Your EdgeWater 245CC should have a minimum of 150 to 200 feet of ½” three strand nylon line. If you routinely venture offshore, remember the 7 times depth rule. This may sound like a lot but if your engine fails in 100 feet of water, maintaining your position will be very important to being recovered.

11.2 Boarding Ladder

Your EdgeWater 245CC is equipped with a removable boarding ladder and there are important things to remember for safe use and operation of this useful feature:

- Always shut down the engine if persons will be using the ladder. Do not just settle for the engine being in neutral.
- Make sure the ladder has been properly stowed before getting underway.

11.3 Trim Tabs

The trim tabs on your EdgeWater 245CC can assist the captain in maintaining trim and level running attitude. When used in conjunction with the engine trim, a great deal of flexibility is available to the operator. On the EdgeWater hull, the tabs are most useful to affect lateral trim. The best results for lateral trim are usually achieved by using only one tab. For example, if the boat is loaded heavier to the port side, lowering the port trim tab will elevate that side and assist the boat in running trim and level. This is important for seaworthiness and fuel consumption. A hull is usually more efficient when running level and with the bow 3 to 5 degrees above level. Tabs can also be useful when running into a heavy wind which is blowing from the side. If the boat tends to turn into the side blowing wind, elevating the tab on the windward side will elevate that side and assist the boat in running level.

12/Seasonal Maintenance

12.1 Engine

Refer to your engine manual for any specific information pertaining to your engine. For the fuel system, add a fuel stabilizer to a full fuel tank as per the stabilizer's instructions. Run the engine for a minimum of 10 minutes to allow the fuel stabilizer to reach the engine.

- Wax the engine exterior.
- Remove the engine cowl and spray the engine's powerhead with a non-conductive lubricant spray. Do not spray directly on joints that are lubricated with grease as some lubricant sprays may dissolve grease.
- Grease all external zert fittings on the engine and steering system. Use a grease that is consistent with engine manufacturer's recommendations.
- Change the engine lower unit lubricant. This will remove contaminants that may have built up throughout the boating season. This is also a good time to check for lower unit seal problems. If there is a leak, have it repaired by your dealer.
- Remove the propeller and grease the propeller shaft. Inspect the shaft and propeller for unusual wear or signs of deterioration.

12.2 Hull

- Wax the entire boat. The hull will maintain its factory delivered luster much longer if waxed at least once a season. The inside of the boat, which is subject to the sun's direct rays, will also respond well to a good coat of marine wax.

DO NOT wax the non-skid surfaces.

- Remove the hull plug so the sump area can breathe.

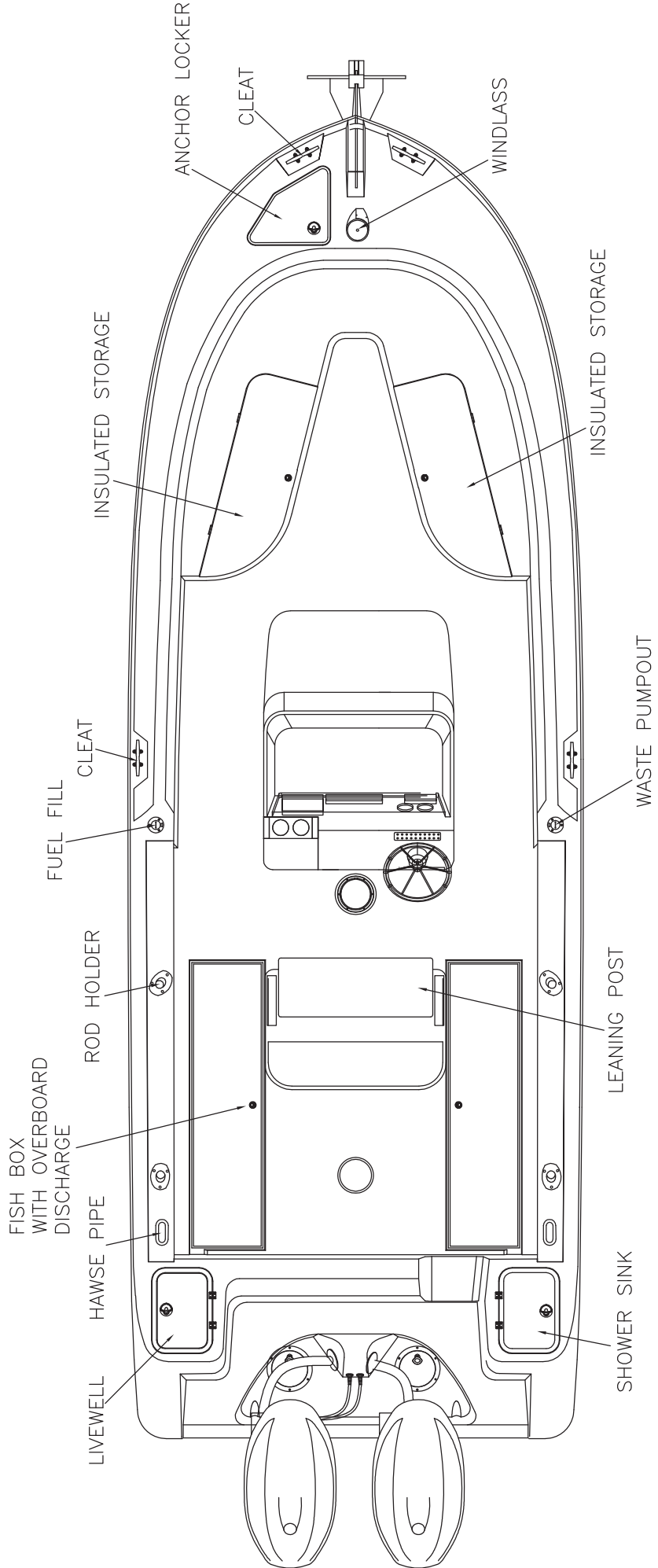
12.3 Storage

- It is best to store the boat inside, however if inside storage is not available, use the following guidelines in order of preference
- Under awning with no boat cover
- Outside under a boat cover. (Boat cover should allow ample ventilation and be removed periodically to allow moisture to dissipate avoiding mildew growth and staining.)

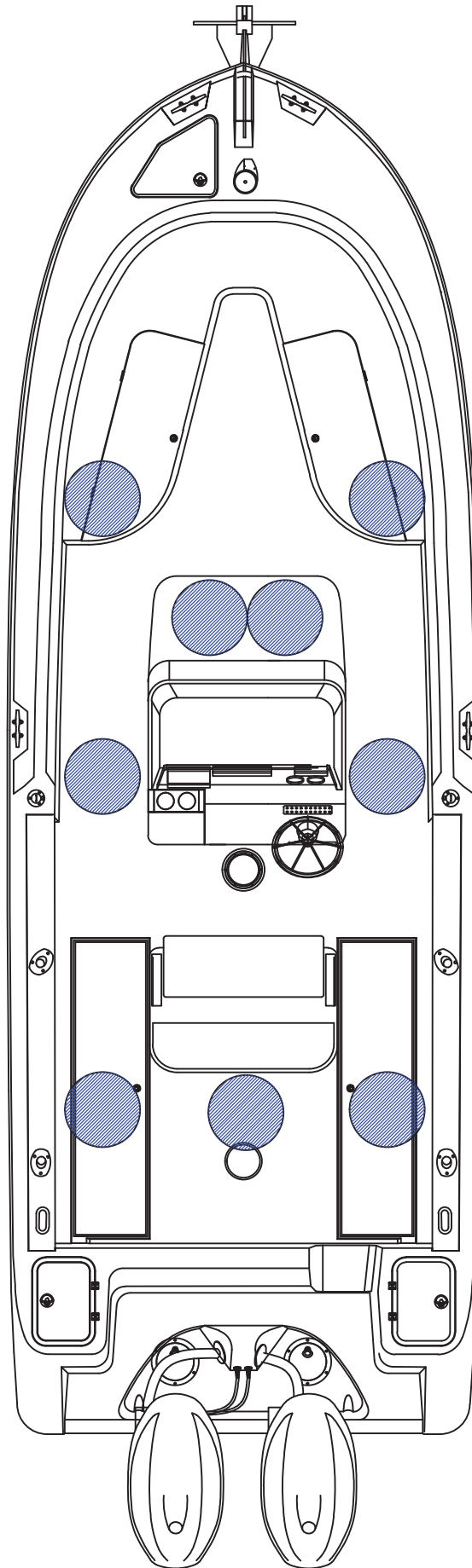
12.4 Trailer

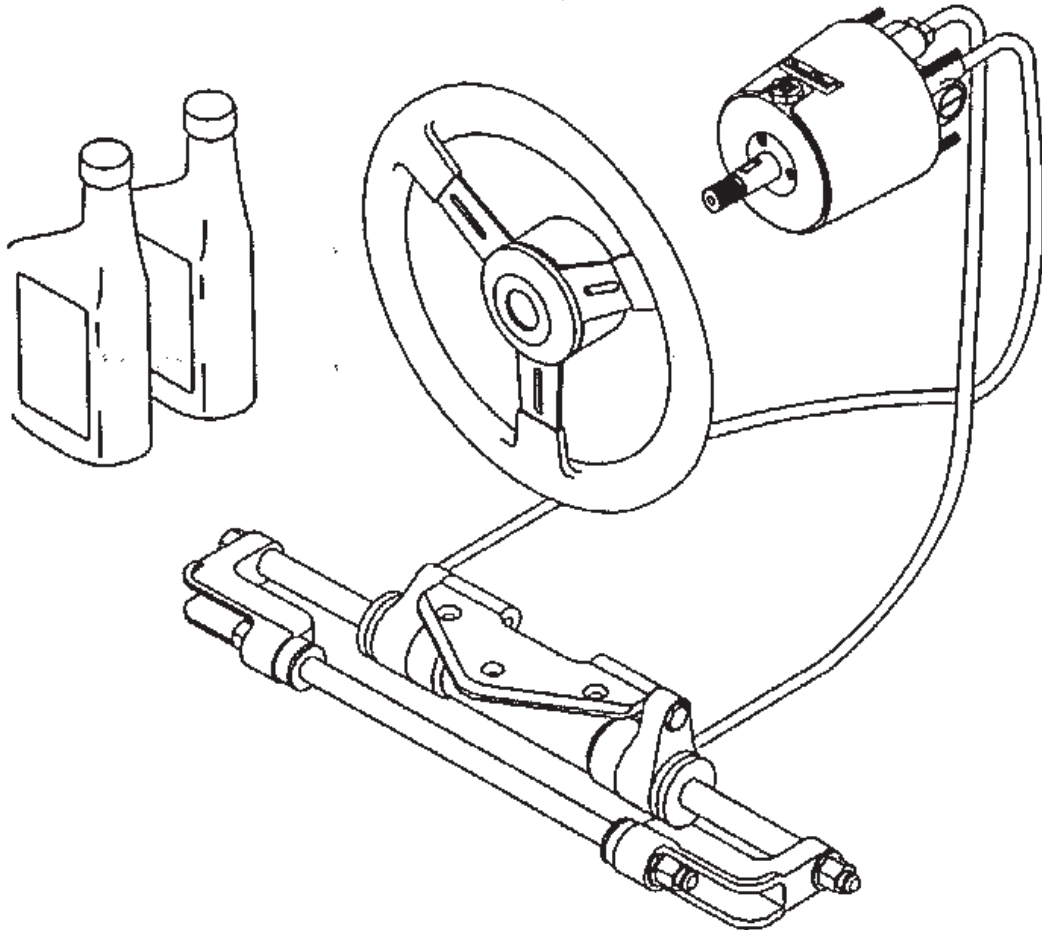
- Check the wheel bearings for water. Clean and repack/replace as necessary.
- Check the tires for proper inflation.
- Try to store the boat and trailer with the bow slightly elevated so it will drain.
- If possible, cover the boat so that the sun will not deteriorate and tree sap and other environmental hazards will not damage the deck or upholstery. If covered, make sure to let air circulate so mildew will not build up. If in a high snow or rain area, make sure to properly support the cover to sustain and shed the load.

Appendix 245CC

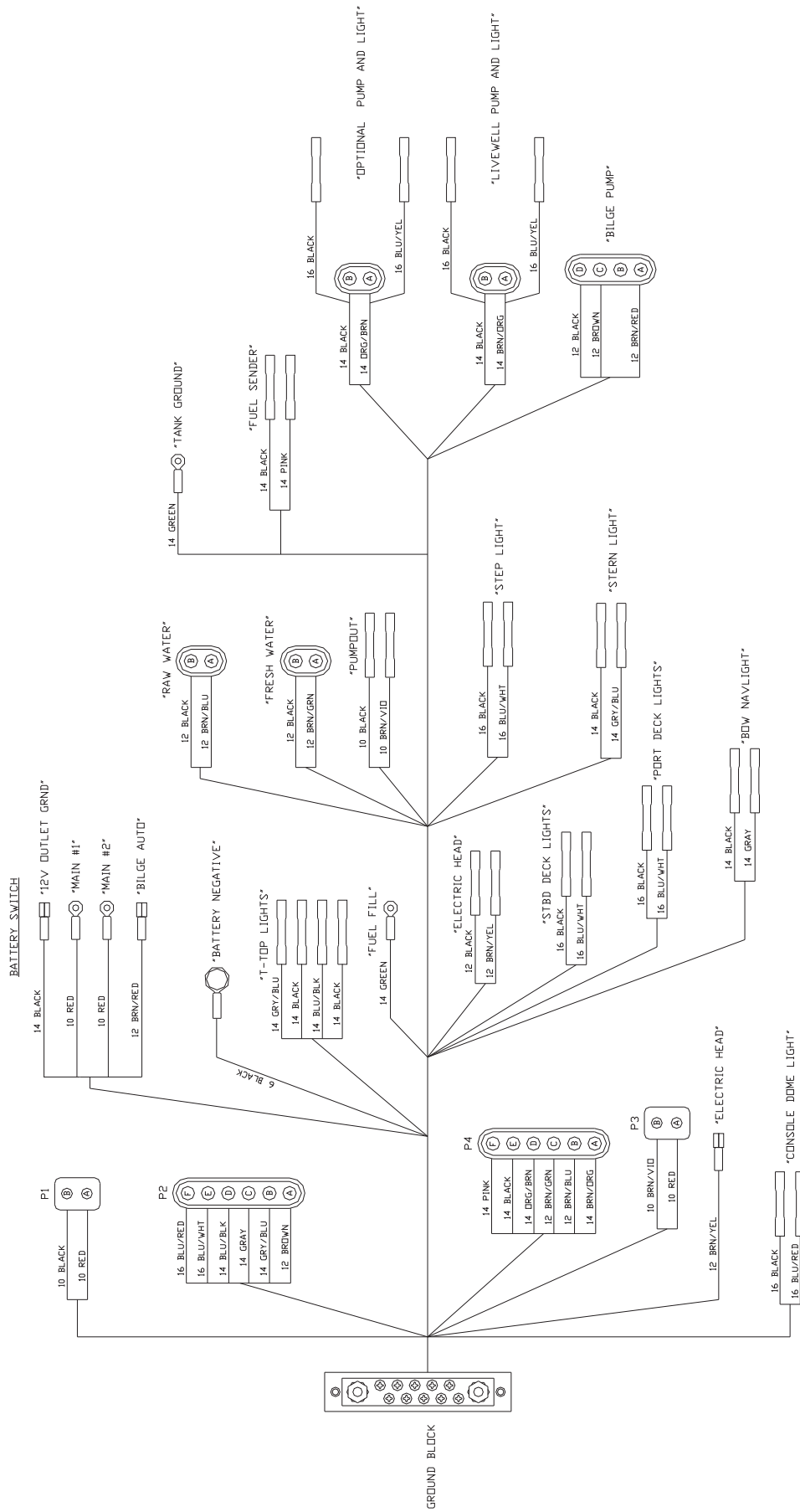


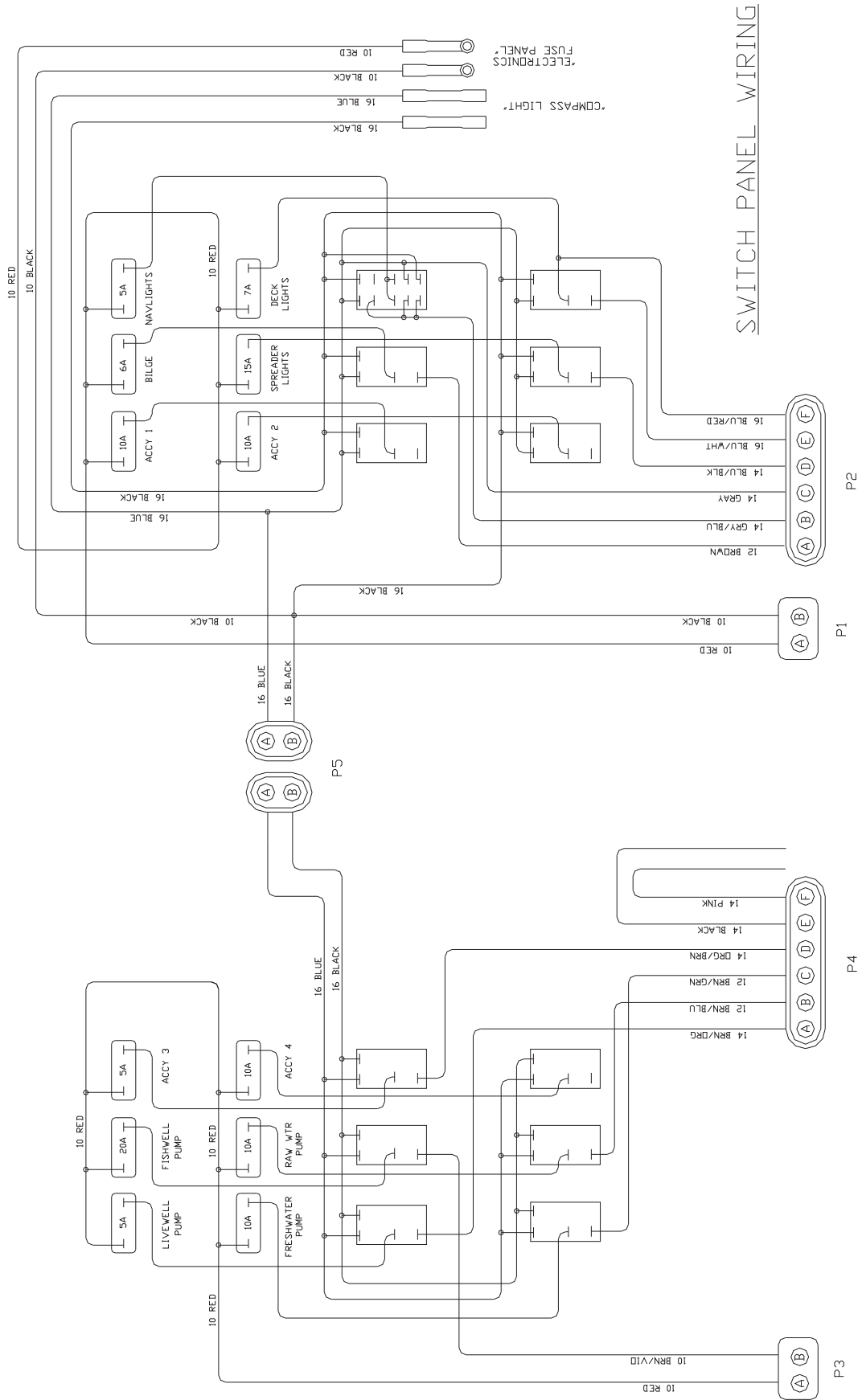
SUGGESTED UNDERWAY OCCUPANT POSITIONS 245 CC
WEIGHT SHOULD BE EVENLY DISTRIBUTED



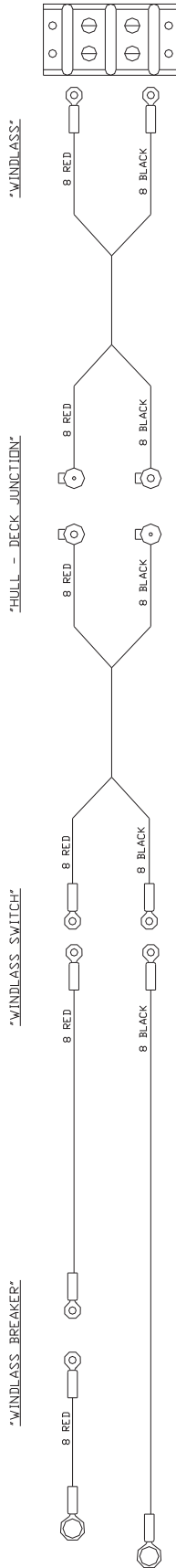


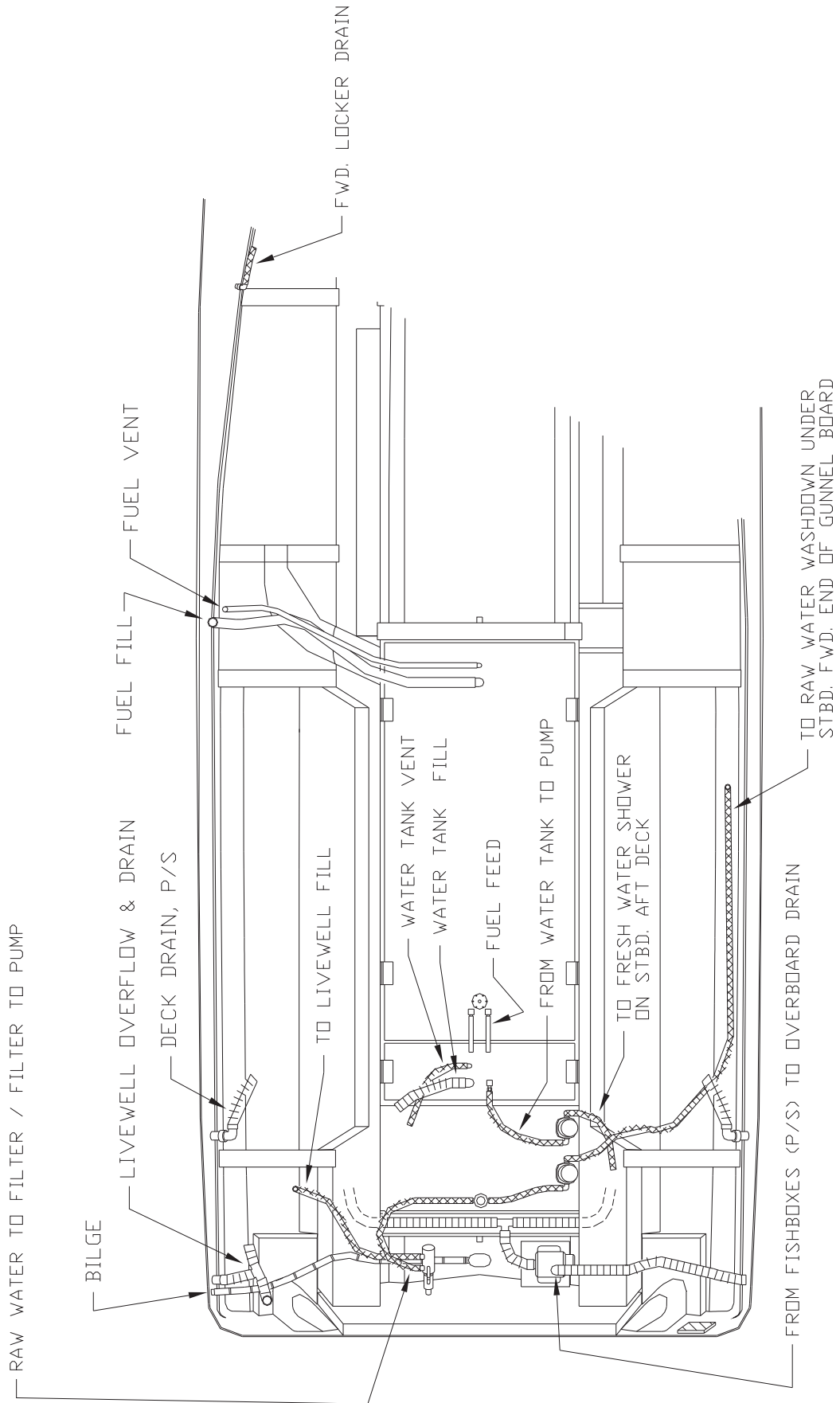
Hydraulic Steering System





WINDLASS HARNESS





EDGEWATER WIRE COLOR CHART 2010

LIGHTS

Lt. BLUE	Switch/Gauge/Compass Illum
BLUE	Console/Underwater
BLUE/WHITE	Deck Cstv/Cabin Cstv
BLUE/BLACK	Helm Overhead/Head
BLUE/YELLOW	Locker/Mid Cabin Sleeper
BLUE/ORANGE	Aft Spread/Livewell/Dinette
BLUE/VIOLET	Spread/Fwd Spread/Vberth
BLUE/RED	Main Cabin
BLUE/GREEN	Cockpit Work/Galley
GRAY	Bow Navigation
GRAY/BLACK	Anchor Navigation
ORANGE/BLUE	Accy Light

TRIM TABS

RED/WHITE	Trim Tab Power
BLACK	Trim Tab Ground
WHITE/RED	Port Tab +
WHITE/GREEN	Sbd Tab +
BLACK/RED	Port Tab -
BLACK/GREEN	Sbd Tab -

PUMPS

BROWN	Bilge Manual
BROWN/RED	Bilge Auto, Sump Auto
BROWN/BLUE	Raw Water Washdown
BROWN/GREEN	Fresh Water
BROWN/BLACK	Fishbox, Aft Fishbox
BROWN/VIOLET	Fishbox, Fwd Fishbox
BROWN/YELLOW	Waste Disch/Blower
BROWN/ORANGE	Main Livewell
ORANGE/BROWN	Accy Livewell, Livewell #2
RED/VIOLET	Head

115/230V AC*

BLACK	HOT
WHITE	NEUTRAL
GREEN*	GROUND*
SOME VENDOR EQUIPMENT CABLES	
BROWN	HOT
L.T. BLUE	NEUTRAL
GREEN/YELLOW	GROUND

MISC

PINK	Fuel Sender
GREEN	Fuel Ground/AC Ground
YELLOW	Head Solenoid, Stereo Mem
RED/ORANGE	12V Outlet/TV Power
RED/WHITE	Trim Tab Pwr/Stereo Pwr
RED/BLACK	Sunroof/Vent/Windlass Switch
BLACK/RED	Sunroof/Vent
BROWN	Windlass Solenoid Down
BLUE	Windlass Solenoid Up
RED/ORANGE	Horn/Accy Panel Pwr
BLACK/WHITE	Battery Parallel
BLUE/WHITE	Stereo Amp Turn On
ORANGE	Refrig/Wiper Power/Accy
ORANGE/RED	Port Wiper Park/Accy Switch
ORANGE/GREEN	Sbd Wiper Park/Accy Switch
ORANGE/BLACK	Wiper High/Accy Switch
ORANGE/WHITE	Wiper Low/Accy Switch
BLACK	12V Ground/AC Hot

EdgeWater	
WIRE CHART 2008	
DATE	PAGE
DRAWN	REV
SDE	A
2/12/09	

Installation, Compensation, and Maintenance Instructions

For all

RITCHIE® HELMSMAN™

Compass Models

Made in U.S.A.

CAUTION:

All Magnetic Compasses are vulnerable to magnetic interference, which will produce errors, called deviation. It is the Owner/Operator and/or Helmsman's responsibility to make sure the compass is properly installed and compensated. Compensation is the act of correcting for deviation. Magnets (speakers, microphones etc.), ferrous metals (steel, iron, etc.) and current carrying devices are common causes of deviation. It is important to understand that magnetic compasses point toward Magnetic North. There is a difference between Magnetic North and True North, and that difference is called variation. Variation differs depending on your geographical location and can be determined by referring to a local chart.

Please read the Instructions completely before beginning installation.

Selecting the Proper Location

The compass should be close enough to the helmsman and positioned below the helmsman's line of sight so it is easily read during normal operation. Direct Read Dial or CombiDamp Dial models will allow the compass to be mounted higher, near or at eye level.

You will need a flat and level surface (when the boat is on a level keel). Many boats have a curved mounting surface and if this is the case, a fairing block should be utilized to bring the compass to a level position.

Select a location that has no more than 20 degrees deviation on any of the four cardinal points (N S E and W). Most compasses have a built in compensation system that will correct for fixed deviation up to 20 degrees. It is important to realize that proper compensation is not possible when a compass is subjected to a magnetic field that is variable. Some shipboard devices can cause varying magnetic fields. Devices such as windshield wipers, high current carrying wire and even some steering wheels must be considered when selecting a location for your compass.

Testing Your Chosen Location

Use your compass to test a location. There are two brass rods near the bottom of the compass which rotate 360 degrees, the slotted ends may be all that is visible. These compensation rods are used to correct your compass for deviation. When testing a location, you do not want pre-set corrections in your compass, so neutralize the compensator rods by setting the slots in a horizontal position.

Begin your test by holding the compass away from any possible interference and observing the compass reading. Then move the compass into position carefully; keeping it pointed in the same direction. If the compass reading is different without a change in direction you are observing deviation. You need to find a location that has less than 20 degrees of deviation on the 4 cardinal points if you intend to adjust your compass using the compensator rods.

After finding a location you should test for intermittent changes in the magnetic field. With the compass mounted temporarily in its intended position try moving the steering wheel, throttle controls or anything else that might cause deviation. It is also advised to turn electrical devices off and on. Please be advised that a changing magnetic field can not be corrected with compensation and you will need to find another location for your compass.

Installation (all Models)

Mounting the Compass

Great care must be taken to mount the compass so that it is aligned with the keel of the boat. **An alignment error is a constant error on all headings caused by the compass not being pointed in the same direction as the boat.** One recommendation is to temporarily mount the compass using one fastener so if an alignment error is detected it is easily corrected. Masking tape can be used as a reference or to keep the compass steady during installation.

If you are mounting to a bulkhead that is not perpendicular to the centerline of the boat, a fairing block must be used.

Due to variations in bulkhead and deck materials, mounting screws are not supplied. Use hardware that is suitable for your specific installation. SELECT MOUNTING HARDWARE THAT IS NON-MAGNETIC. Most quality stainless steel and solid brass fasteners can be used. If you are unsure test them with a magnet.

Most models have built-in lights which will require routing the wire or wires to your power source. To assure a clean installation you may want to wait and drill the routing holes after you are satisfied with the compass alignment.

Specific model installation instructions are as follows:

Note for all flush and bulkhead mount compasses:

It is important that you use the mounting gasket included with each model. We do NOT recommend the use of bedding compound since some brands contain chemicals that could damage the plastic dome.

HF-72, HF-72W, HF-73, HF-73W, HF-79, HF-79G, HF-79W, SS-1000& SS-1000W Flush Mount

Using the mounting template supplied with the compass, make the cutout in your chosen location and mount as instructed above (Mounting the Compass). For all HF-79 models, loosen but do NOT remove the single screw in the rear of the dress-bezel. Lift the rear of the dress-bezel and slide it forward to remove it from the compass. When mounting and compensation are completed, replace the dress-bezel. Note: If you cannot access the compensation rods from below you need to allow for easy removal of the compass during compensation. (See Compensation instructions below).

HV-76 & HV-77 Bulkhead Mount

Before making the cut, make sure the bulkhead surface at the mounting location is at a ninety-degree (90°) angle to the centerline of the boat and is in a vertical position. If such is not the case, a fairing block must be used between the compass and the bulkhead. Use the mounting template supplied with the compass for cutting the necessary opening in the vertical bulkhead. If the compass is not mounted in a vertical position, serious errors can develop when the boat heels over and pitching occurs simultaneously. There is also potential error from the built-in compensator magnets if the compass is not mounted vertically.

HD-74, HD-75 & SS-1100 Deck Mount

Follow the instructions above (Mounting the Compass). After mounting, remove the black plastic inserts and begin compensation (see Compensation instructions below).

HB-70, HB-71 & HB-85 Bracket Mount

Remove the bracket from the compass and mount it as instructed above (Mounting the Compass). If you mounted the bracket to a gunwale simply rotate the compass 90 degrees in it's housing by removing the four Phillips head screws located in the bottom of the housing. After re-installing the compass in the bracket remove the black plastic inserts, which cover the compensators and begin compensation (see Compensation instructions below).

IMPORTANT NOTE REGARDING HB-85

This model is designed to be mounted on STEEL HULL Vessels. Special compensation is required and you will need to hire a professional compass adjuster.

Night Light Wiring (all Models)

All models are supplied with a 12-volt night lighting system. To connect lights to a 24 or 32-volt system, dropping resistors are available.

Lights should be wired to an appropriately fused 12-volt circuit in your electrical system (i.e. running light circuit).

Connect the red wire (white on some models) to positive and black to ground. Some models have a second light assembly, which should be connected to the same circuit.

Compensation

A built-in correcting magnet system consists of two sets of magnets fixed to two adjusting rods with slotted ends. The slots should be horizontal before starting the adjusting procedure. A small non-magnetic screwdriver is provided for this purpose.

Before starting compensation, make sure you have a suitable location (see Testing Your Chosen Location).

Method 1. (Preferred)

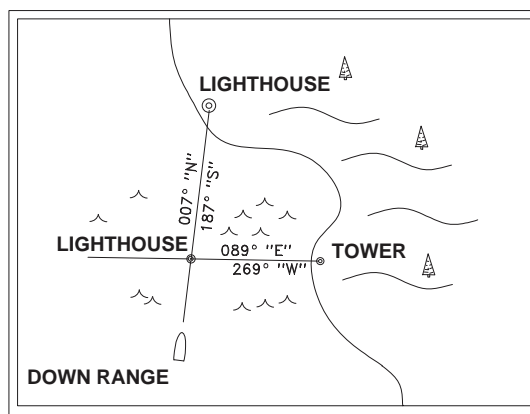
Step One. With the compass in its intended position, but not finally secured, (see Mounting the Compass) select a course on your chart using two fixed aids that are within ten degrees (10°) of the North/South line. Try to select this course so that you can maneuver your boat "down range" of the marks selected (See example).

Step Two. From a position down range of the North/South marks, and keeping the marks lined up, run the boat visually along the Northerly course selected. Turn the port/starboard compensator (slot is facing starboard) until the compass reads correctly.

Step Three. Simply repeat steps 1 & 2, except this time, using an East/West course and the fore/aft compensator (slot is facing aft).

Step Four. Check compass alignment by running the boat in a Southerly direction, again keeping the mark lined up. If the compass is not correct at this time, there is an alignment error. To correct, rotate the compass itself to remove one half of this error. Repeat steps 1, 2 & 4 until your North/South line is correct then repeat step 3.

Step Five. Install fastener (s), taking care not to disturb alignment.



Method 2. (Requires the use of GPS or Loran)

In this method you will be using a GPS or Loran as your reference.

1. Your GPS or Loran must be set to provide you with Magnetic, not True headings. Check your Manual.
2. GPS and Loran provide headings based on COG (course over ground). Compasses provide heading based on the direction the boat is actually pointed. Because of Tides, Currents and Winds, the boat may not always point in the same direction as COG. Pick a time and location that will minimize these effects.
3. Because the GPS and Loran calculate COG based on current and past positions you will see greater heading accuracy while traveling at higher speeds. We recommend at least 10 knots.

Step One. While at sea, with the compass in its intended position, but not finally secured, (see Mounting the Compass), obtain the Loran/GPS bearing to a fixed aid or landmark that is within 10° of a North/South line.

Step Two. Position your boat along that line and steer directly at that mark. Turn the port/starboard compensator (slot is facing starboard) until the compass heading matches the Loran/GPS bearing.

Step Three. Simply repeat steps 1 & 2, except this time, using an East/West course and the fore/aft compensator (slot is facing aft).

Step Four. Check compass alignment by running the boat 180 degrees from the heading used in step 2. If the compass is not correct at this time, there is an alignment error. To correct, rotate the compass itself to remove one half of this error. Repeat steps 1, 2 & 4 until your North/South line is correct then repeat step 3.

Step Five. Upon completing the procedure, secure the compass in its final position.

If you feel that the deviation on your boat is of an unusual nature, the services of a professional compass adjuster will be a wise investment.

To assure accuracy on all headings, check for deviation every thirty degrees and record any deviation on a deviation card. We recommend checking at the start of each boating season, and any time new equipment is added near the compass, for deviation.

Maintenance

Protect your compass from the sun when not using your boat. Strong sunlight may decrease the life of your compass. Custom fit covers are available from Ritchie.

Ritchie compasses require very little care. To remove salt spray deposits or dirt, rinse the entire compass with clean, fresh water and wipe carefully with a damp cloth. **Important Note: Never Use Chemical or Abrasive Cleaners.**

Night Lighting Systems

Ritchie's night-lights are designed to last for years of use. If you need to replace one, contact the factory with your model and serial number for a part number and price. Tel. 781-826-5131 Fax. 781-826-7336 E-mail service@ritchienavigation.com

Warranty:

We warrant all Ritchie Magnetic Marine Compasses to be free of defects in workmanship or materials. If within three years of purchase date, a compass fails to give satisfactory service, it will be repaired or replaced without charge. This warranty does not cover breakage through accident or misuse. Replacement or repair will be made if the instrument is returned prepaid to a Ritchie Service Station or directly to E.S. Ritchie & Sons, Inc., 243 Oak Street, Pembroke, MA 02359.

RITCHIE NAVIGATION

E.S. RITCHIE & SONS, INC., P.O. BOX 548, 243 OAK ST., PEMBROKE, MASSACHUSETTS 02359 U.S.A.
Tel. (781) 826-5131 Fax (781) 826-7336 www.ritchienavigation.com

Rev D 4/00

HL-0032

Printed in U.S.A.

HYDRAULIC STEERING SELECTION GUIDE 2008



Boating safety is everyone's responsibility.


As a boater, you are responsible for having all required safety equipment, for operating your boat safely and for ensuring the safety of those on board your vessel as well as those sharing the waterways. Boaters exercising courtesy and common sense will not create a hazard, threat, stress or an irritant to themselves, to others, to the environment, or to wildlife.

1. Wear an approved Personal Flotation Device (PFD)
2. **Read your owner's manual.**
3. Attach engine stop switch securely to your body or PFD.
4. Respect the speed limits and other boating restrictions.
5. Be cautious and courteous.
6. Navigate with care.
7. Understand the behaviour characteristics of your vessel that might result from unexpected manoeuvres, such as sudden deceleration, high-speed obstacle avoidance, and other speed related issues.
8. It is good boating practice to rinse down your boat and exposed steering equipment with clean, fresh water after each use. DO NOT use corrosive materials on SeaStar products.

Become informed and stay informed!

"Take an accredited boating safety course"

Notice to Boat Manufacturer or Installer

Throughout this publication, Warnings and Cautions (accompanied by the International Hazard Symbol ) are used to alert the manufacturer or installer to special instructions concerning a particular service or operation that may be hazardous if performed incorrectly or carelessly.

Observe Them Carefully!

These "safety alerts" alone, cannot eliminate the hazards that they signal. Strict compliance to these special instructions when performing the installation and maintenance plus "common sense" operation are major accident prevention measures.

 DANGER	 WARNING	 CAUTION	NOTICE
Immediate hazards which WILL result in severe personal injury or death.	Hazards or unsafe practices which COULD result in severe personal injury or death.	Hazards or unsafe practices which COULD result in minor injury or product or property damage.	Information which is important to proper installation or maintenance, but is not hazard-related.

NOTICE

Help protect your boating environment by ensuring that all used oil is disposed of properly.

TABLE OF CONTENTS

The BayStar & SeaStar Hydraulic Steering Systems.		ii
1	BayStar Outboard Steering System.	1-1
	BayStar Compact Application Guide	1-5
2	SeaStar Power Assist	2-1
3	SeaStar Outboard Steering Systems.	3-1
	Front Mount Steering System	3-2
	SeaStar Pro Steering	3-9
	Outboard—Catamaran	3-12
	Side Mount Steering System	3-13
	Splashwell Mount Steering System	3-16
4	SeaStar Sterndrive Systems.	4-1
5	SeaStar Inboard Steering Systems (Power & Sail)	5-1
6	Hynautic 3-Line Inboard Steering	6-1
	Application Guide	6-3
	Hynautic Seal Kits	6-6
	Crossover Hynautic to SeaStar Steering	6-7
7	SeaStar Power Steering	7-1
8	Hynautic Trim Tabs	8-1
9	SeaStar/Hynautic Helms – General	9-1
	SeaStar Standard/Rear Mount Helms	9-4
	SeaStar Tilt/Sport Tilt Helms	9-5
	Hynautic Helms	9-7
10	SeaStar Hose, Tubing, Fittings, Accessories & Tools	10-1
	Outboard Hose	10-2
	Inboard/Sterndrive Tubing	10-6
	Additional SeaStar Steering Station or Autopilot Kit	10-8
	Fittings & Fitting Kits	10-9
	Liquid Tie Bar alignment Valve	10-17
	Tools	10-19
	Torque Data Sheets	10-21
11	Hydraulic Fluid	11-1
12	SeaStar and Hynautic Volumes and Capacities.	12-1
13	Authorized Distributors	13-1
	USA Retailers	13-10
	Teleflex Canada Limited Partnership Warranty	13-11

BayStar and SeaStar Hydraulic Steering Systems

The BayStar Hydraulic Steering System is designed to add safety, reliability and comfort to single station outboard powered boats to a maximum 150HP (Total). The SeaStar Hydraulic Steering System is designed to provide that extra margin of muscle when needed. The SeaStar system easily handles Outboards, Sterndrive and Inboard boats.

System selection, installation and service is substantially simplified with just three major components — helm, cylinder and tube or hose. SeaStar has a comprehensive range of available cylinders to handle the variety of Outboard, Sterndrive and Inboard steering applications. These are suitable for both pleasure and commercial applications. Extra steering stations and/or autopilots are easily added.

SeaStar hydraulic steering is a total commitment to quality, performance and simplicity.

BayStar & SeaStar, the hydraulic steering systems that are;

Easy to install...

- Only three components: helm, cylinder & tube or hose
- Compact and attractive helm design
- Variety of helm mounting configurations
- Simple tube/hose fitting connections
- Clear, complete installation instructions

Easy to fill and purge...

- Engineered bleed fittings on the cylinders
- A helm and lock valve design that enhances air removal
- A no-mess filler device
- A filling and purging time of normally less than 30 minutes
- Easy to check for proper installation
- Easy purging check via filler device
- No searching for difficult-to-find air leaks

Easy to turn...

- Anti-friction piston points

Designed to provide many years of service...

- Precision built
- Heavy-duty bearings instead of bushings
- No corrosive materials exposed to marine environment
- Field replaceable helm and cylinder shaft seals
- A no-hassle warranty — 2 years for pleasure use
— 1 year for commercial use (SeaStar)

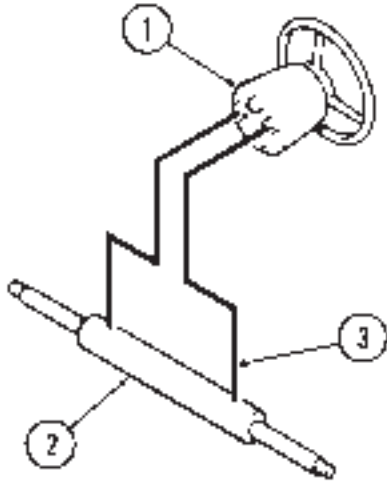
BayStar and SeaStar! Simply the best!

Teleflex Hydraulic Steering

Our manual hydraulic steering systems are simple and efficient. The basic system consists of three main components;

1) the helm pump, 2) the cylinder, and 3) the hose or tubing required to connect the cylinder to the helm pump.

These basic components are necessary in all applications. However as the system variables increase (ie: multiple engines, rudders, steering stations and autopilots), additional components may be required.



1. The Helm Unit.

The helm pump is an axial piston pump specifically designed for manual steering. It has a built-in lock valve to prevent the steering load from feeding back to the driver. The lock valve will not allow the rudder or drive unit to move until you move it with the steering wheel. The lock valve section of the helm also includes a relief valve. This relief valve provides over-pressure protection for mechanical components and hydraulic hoses and fittings.

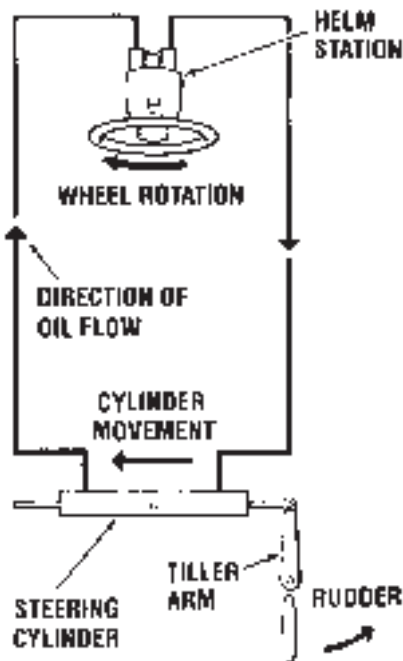
2. The Cylinder.

The most important differences between the variety of steering systems available is the cylinder selection. Both BayStar and SeaStar systems have a cylinder for most steering applications.

3. Hoses and Tubes.

Required to provide a path for the fluid to flow under pressure from the helm pump to the cylinder.

The System: How it works



The system is a two-line system. This makes operation very simple.

- 1) The steering wheel, which is attached to the helm pump, is rotated in the desired direction (ie: a turn to starboard or clockwise rotation).
- 2) Oil is pumped out the corresponding port from the rear of the helm into the starboard line and then into the cylinder.
- 3) This causes the cylinder rod, which is attached to the vessels rudder or drive unit, to move (ie: rod moves to port) thus causing the vessel to alter course.
- 4) Oil displaced from the opposite end (ie: the port end) of the cylinder flows (ie: into the port line) back to the helm pump.
- 5) For steering in the opposite direction, simply turn the helm the other way.
- 6) When no course corrections are required, the integral lock valve holds the rudder or drive unit stationary.

Selecting the System

The objective is to match the steering system to the requirements of the vessel. This depends on four things;

- 1) hull type (ie: planing or displacement),
- 2) type of propulsion system in the vessel (ie: inboard, outboard, sterndrive, etc.),
- 3) the number of engines or rudders,
- 4) the total power of the engines (ie: Horsepower).

Once the system and cylinder has been selected, the size of the helm pump is pre-determined. SeaStar systems also allow the following options to be specified;

- 1) the number of steering stations,
- 2) helm configuration (ie: standard or tilt helm),
- 3) additional features such as autopilots.

Notes on Steering Response versus Steering effort

Steering wheel effort is directly proportional to the number of wheel turns lock to lock.

The number of wheel turns lock to lock is dependent on three things;

- 1) the volume of the cylinder,
- 2) the displacement of the helm pump,
- 3) the allowable movement of the rudder or drive unit.

Less wheel turns lock to lock results in more steering effort. More wheel turns lock to lock results in less steering effort. However, additional factors that can influence steering effort are;

- 1) vessel speed,
- 2) rudder size,
- 3) unusual propeller selections,
- 4) hull type (ie: displacement, planing, etc.), and
- 5) improperly aligned counter balance skeg.

System Selection Worksheet

How can we help?

We have provided the following check list to assist you in choosing your Hydraulic Steering System. We invite you to make notes on this page as required.

as appropriate.

- OUTBOARD–Single up to 150HP UNDER 55mph**
 - Most economical system to meet my steering needsPage 1-1
 - Economical to meet my needs, PLUS less effort at the steering wheel than above.....Page 3-1, 3-9
 - Power Assist – 'Automotive' Style, Feel and ComfortPage 2-1, 3-1, 3-9

- OUTBOARD–Multiple up to 150HP combined total**
 - Most economical system to meet my steering needsPage 1-1
 - Economical to meet my needs, PLUS less effort at the steering wheel than above.....Page 3-1, 3-9
 - Power Assist – 'Automotive' Style, Feel and ComfortPage 2-1, 3-1, 3-9

- OUTBOARD–Single 150HP – 350HP UNDER 65mph**
 - Most economical system to meet my steering needsPage 3-1, 3-2
 - Power Assist – 'Automotive' Style, Feel and ComfortPage 2-1, 3-1, 3-2

- OUTBOARD–Single 150HP – 350HP OVER 65mph**
 - Most economical system to meet basic steering needsPage 3-1, 3-9
 - Recommended for Steering Comfort and 'Automotive' Style and Feel.....Page 2-1, 3-1, 3-9

- OUTBOARD–Multiple over 150HP (including Catamaran and Liquid Tiebars)**
 - Most economical system to meet basic steering needsPage 3-1, 3-2
 - Recommended for Steering Comfort and 'Automotive' Style and Feel.....Page 2-1, 3-1, 3-2

- STERNDRIVE–Single and Twin**
 - Most economical system to meet my steering needsPage 4-1
 - Power Assist – 'Automotive' Style, Feel and ComfortPage 2-1, 4-1

- INBOARD–Single and Twin**
 - Most economical system to meet my steering needsPage 5-1
 - Power Assist – 'Automotive' Style, Feel and ComfortPage 2-1, 5-1
 - Power Steering SystemPage 7-1

My Steering Components

Helm Model #..... Cylinder Model #.....

Hose/Tube Other

Autopilot Equipped Yes No Date Purchased.....

Boat: Make..... Model Length

Engine: Make..... H.P..... Quantity



OUTBOARD STEERING

BayStar™ hydraulic steering is brought to you by the manufacturers of SeaStar®, the most trusted name in pleasure boat steering. BayStar allows you to install all of the safety, reliability and comfort of hydraulic steering onto your boats rated up to **MAX. 150HP (Total)**. Combine this with the superior Teleflex Canada Limited Partnership design team, rigid ISO quality control and teamed with the finest materials and precision manufacturing—BayStar continues the tradition bringing comfort and safety to boating.

The BayStar steering system consists of a super low friction helm for smooth comfortable steering, a balanced cylinder—featuring a compact design that fits most splashwells. For your convenience two lengths of 20' cut to fit tubing are supplied (2 x 20' length), two bottles of hydraulic steering fluid, and one fill tube for easy fill and purge.

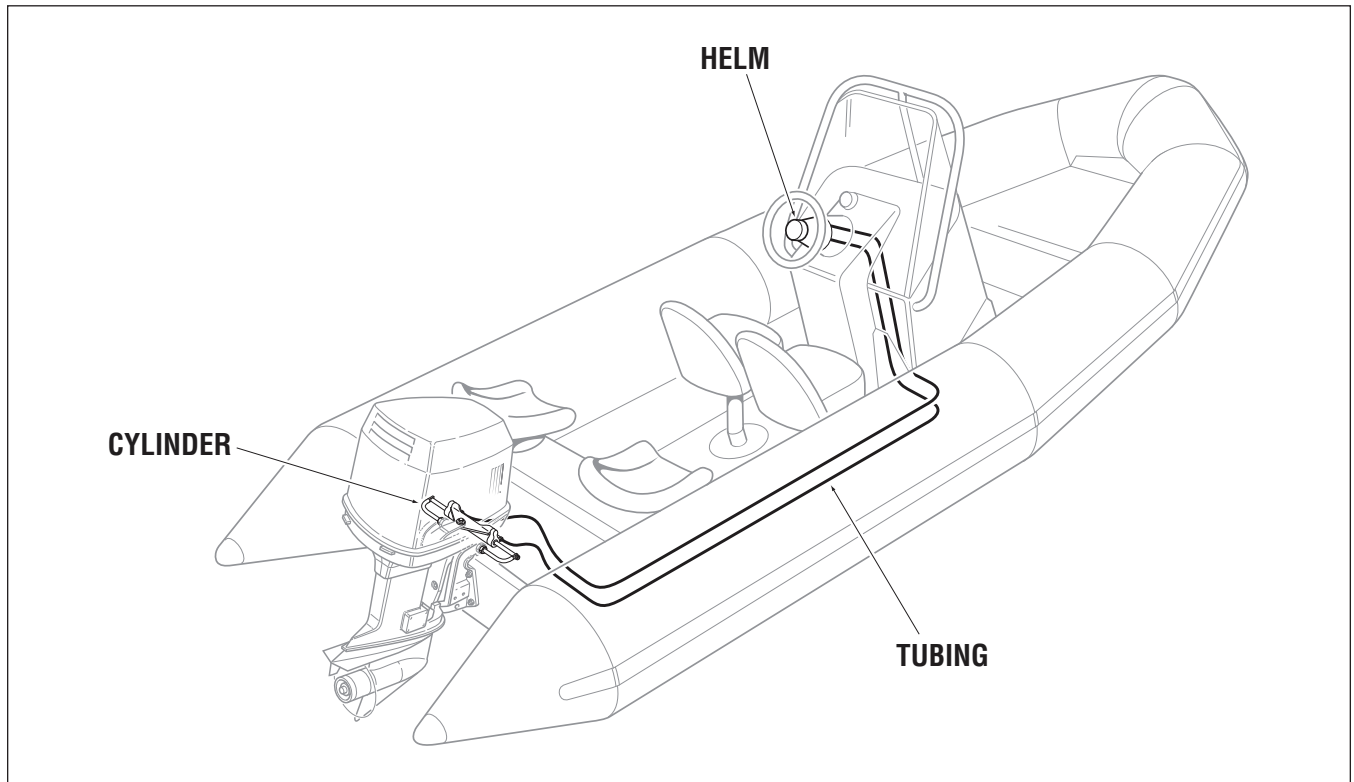
⚠ CAUTION

BayStar is ONLY applicable for single station steering.

DO NOT use BayStar on smaller HP outboard engines that use wing nut type transom mount clamping screws.

NOTICE

Tilt Helm HH4315 is available separately. Currently not available in kit form.



Typical BayStar Installation

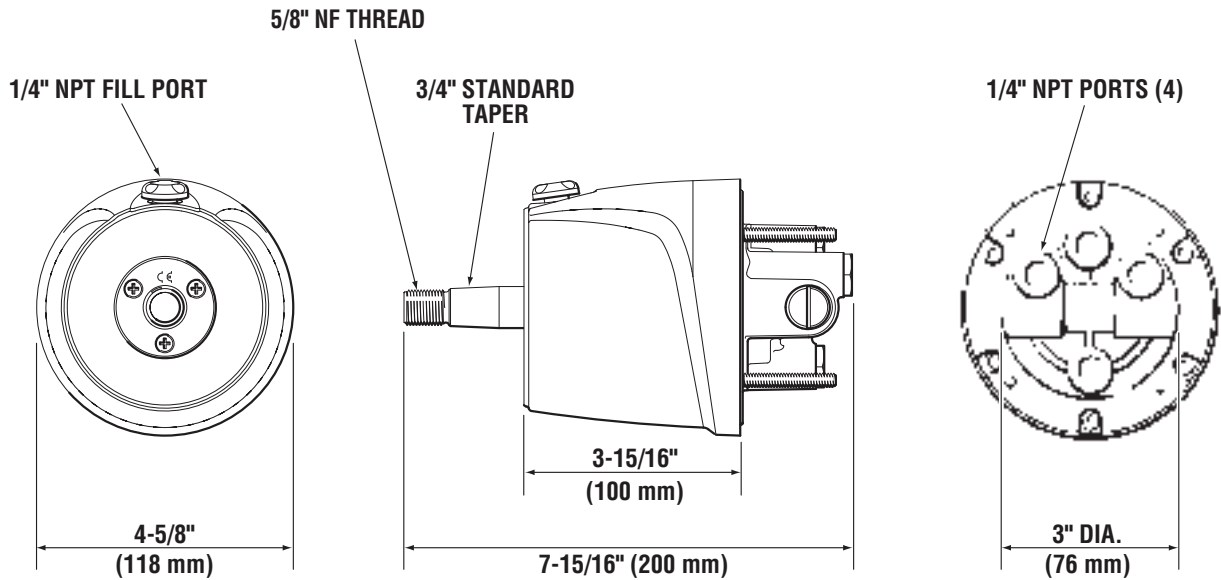


OUTBOARD-FRONT MOUNT

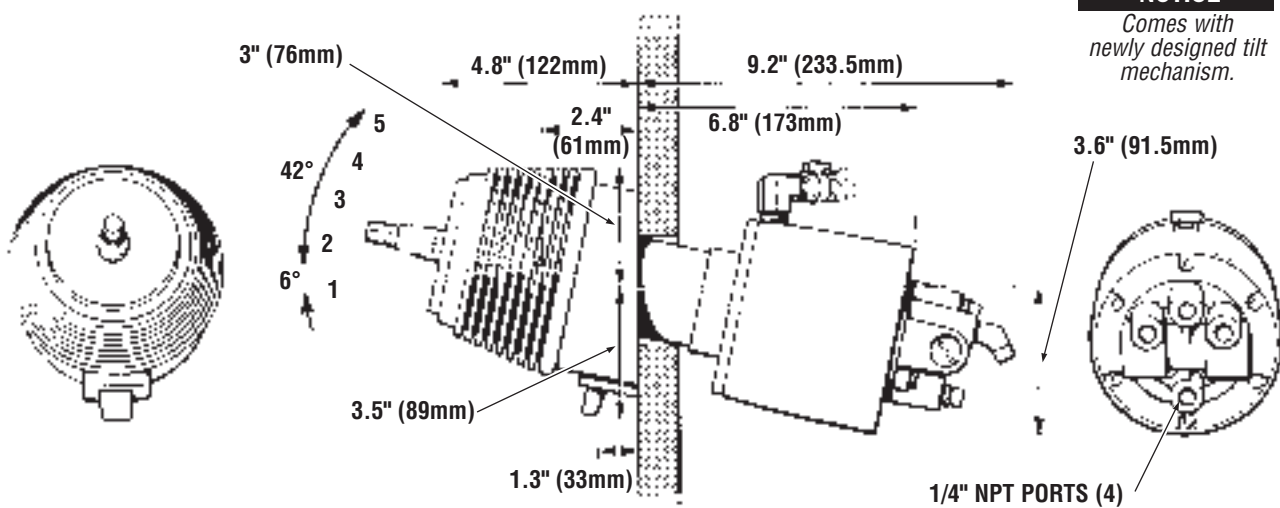
Three easy steps to select your BayStar System:

- 1) Check helm dimension. Both the Standard and Tilt helms require a 3" (76mm) cut-out hole in the dash.

STANDARD HELM PART# HH4314



TILT HELM PART# HH4315



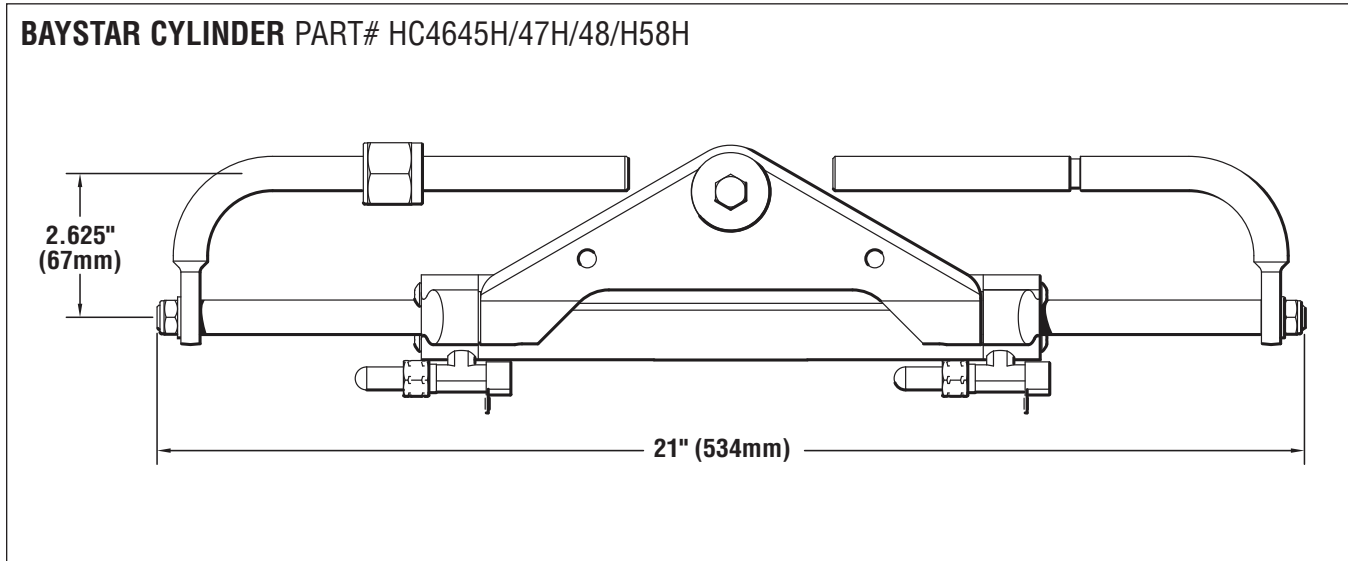
NOTICE

Comes with newly designed tilt mechanism.

- 2) Check the BayStar cylinder dimensions through the full trim/tilt range of the engine.

IS THE SPLASHWELL WIDE ENOUGH?

The HC4645H/47H/48H /58H require a 21" (534mm) Splashwell width.



- 3) Is there enough room in the splashwell for full engine tilt? Find the dimensions (A, B & C) of your splashwell. Check them against the minimum splashwell dimensions for full engine tilt for your engine and cylinder.

MOTOR WELL DIMENSIONS required for BayStar front mount outboard steering systems

CYLINDER MODEL NO.	# OF ENGINES	A	B	C	MIN. ENGINE CENTER DISTANCE
HC4645H/47H/48H/58H	1	21" (534mm)	6" (153mm)	5" (127mm)	N/A
	2	Twin engine applications not available at this time			

NOTES:

- i) Ensure there is no interference between the BayStar cylinder rod and the splashwell boot or engine controls & cables.
- ii) Dimensional restrictions also apply to external motor mount brackets.
- iii) Ensure dimension 'A' maintained through full trim/tilt range.
- iv) Maximum transom thickness 3" (76mm).
- v) Engines less than 70HP may require up to an additional 1" (25mm) of splashwell clearance.

BayStar Steering Kits
PID# HK4200A, HK4230A



BayStar Steering kits come complete with everything needed for an install, (some engines require spacer kits and/or cylinder plate change, see application chart on *page 1-5*) the compact cylinder does not require the engine manufacturer drag link for connection. For your convenience two lengths of 20' cut to fit tubing are supplied with the HK4200A and two lengths of 30' cut to fit tubing are supplied with the HK4230A kit.

BayStar Steering Kit (HK4200A)

Includes:

- 1 x BayStar helm pump (HH4314)
- 1 x BayStar Cylinder (HC4645H)
- 1 x BayStar Tubing kit (HT4420H, comes with two 20' hoses)
- 2 x Hydraulic Steering Fluid (HA5430)
- 1 x Filler Kit (HA5438)

BayStar Steering Kit (HK4230A)

includes:

- 1 x BayStar helm pump (HH4314)
- 1 x BayStar Cylinder (HC4645H)
- 1 x BayStar Tubing kit (HT4430H, comes with two 30' hoses)
- 2 x Hydraulic Steering Fluid (HA5430)
- 1 x Filler Kit (HA5438)

NOTICE

HC4645H compact cylinder is included in both BayStar Steering Kits. If your engine requires the use of a cylinder other than HC4645H or HC4658H (refer to application guide on page 1-5) then purchase of a replacement Pivot Plate (noted on page 1-5) will be required.

NOTICE

HC4600 and HC4600H are no longer being made by Teleflex Canada, all seal kits and spare parts will be made available. If purchase of a new HC4600 or HC4600H is required, please purchase BayStar Compact Cylinder part# HC4645H/47H/48H/58H as per the application chart on page 1-5. If the cylinder that you are replacing does not include the letter H after the part number, you will need to reuse the fittings out of your old cylinder and/or purchase fitting kit # HF4201 (includes 2 of the old style bleed fittings).

BayStar Outboard Compact Application Guide

(BayStar Compact Cylinders HC4645/47/48/58)



MFG	YEAR	MODEL	CYLINDER	NOTES
FORCE	1985-DATE	90-150 HP	HC4645H	
HONDA	1992-DATE	30-90 HP	HC4645H	
	1998-DATE	115-130 HP	HC4647H	
	2001-DATE	150 HP	HC4645H	
	2003-DATE	BF135 HP	HC4645H	
JOHNSON/ EVINRUDE	1977-1989	65-150 HP	HC4648H	
	1991-DATE	40-150 HP	HC4645H	
	1997-DATE	115 HP FICHT	HC4658H	4
	1997-DATE	75-150 HP FICHT	HC4645H	
	1998-DATE	40-140 HP 4-Stroke	HC4658H	1, 4
MERCURY/ MARINER	1984-DATE	75-150 HP	HC4645H	
NISSAN	1990-DATE	120-140 HP	HC4645H	
SUZUKI	1986-DATE	150 HP	HC4645H	
	1996 ONLY	115-140 HP	N/A	
	1987-2002	115-140 HP	HC4645H	1
	1990-2000	90-100 HP	HC4645H	
	1998-DATE	40-70 4-Stroke	HC4645H	1
	2001-DATE	115-140 HP 4-Stroke	HC4658H	1, 4
TOHATSU	1990-DATE	140-140 HP	HC4645H	
YAMAHA	1998-DATE	40-50 HP	HC4645H	2
	1998-DATE	60 HP	HC4645H	3
	1986-DATE	70-90 HP	HC4645H	1
	1997-DATE	80-150 HP 4-Stroke	HC4645H	
	2000-DATE	25-60 HP 4-Stroke	HC4648H	1
YANMAR	1990-DATE	27-36 HP	HC4645H	

NOTICE Johnson 115 HP 2-stroke engines, required the pivot plate to be flipped. See note #4 below

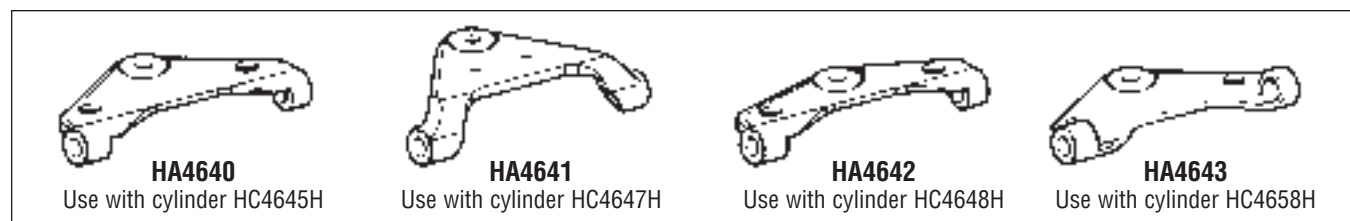
- Requires Spacer kit part # HO5090
- Engine clamp brackets must be cut or ground, and the engine through bolted onto the transom, or interference will occur, restricting engine trim and tilt.
- Steering hook Yamaha Part # 63D-48511-00-4D must be installed
- Cylinder HC4645 may be used in these applications. The pivot plate will need to be flipped before installation. Instructions provided with Owner's Manual.

The above engine applications are current through the revision date shown. For up-to-date engine applications go to: www.seastarsteering.com

REVISION DATE: MAR. 10TH 2006

NOTICE

HC4645H compact cylinder is included in the BayStar Steering kits. If your engine requires the use of a cylinder other than HC4645H or HC4658H then please refer to the figure below for additional replacement pivot plate.



POWER ASSIST



SeaStar Power Assist Pilot shown, available Summer, 2008.

The Marine Industry is continually introducing heavier outboard engines, higher horse power engines, more aggressive propellers, bigger/faster boats...

Boat operators are asking for increased comfort and lighter steering loads... These were the driving forces behind the design of SeaStar and SeaStar PRO Power Assist.

This new and innovative product is highly recommended on any 200HP and above outboard application to give your boat the same, easy steering you are accustomed to in your car. Power Assist is also recommended for the following;

- Twin and Triple engine applications
- Bass Boats
- Power Catamarans
- Inboard powered cruisers without engine driven power assist.

How the System Works

SeaStar P/A (Power Assist) steering uses an electronically controlled hydraulic pump to provide "Power" for your SeaStar Hydraulic Steering system.

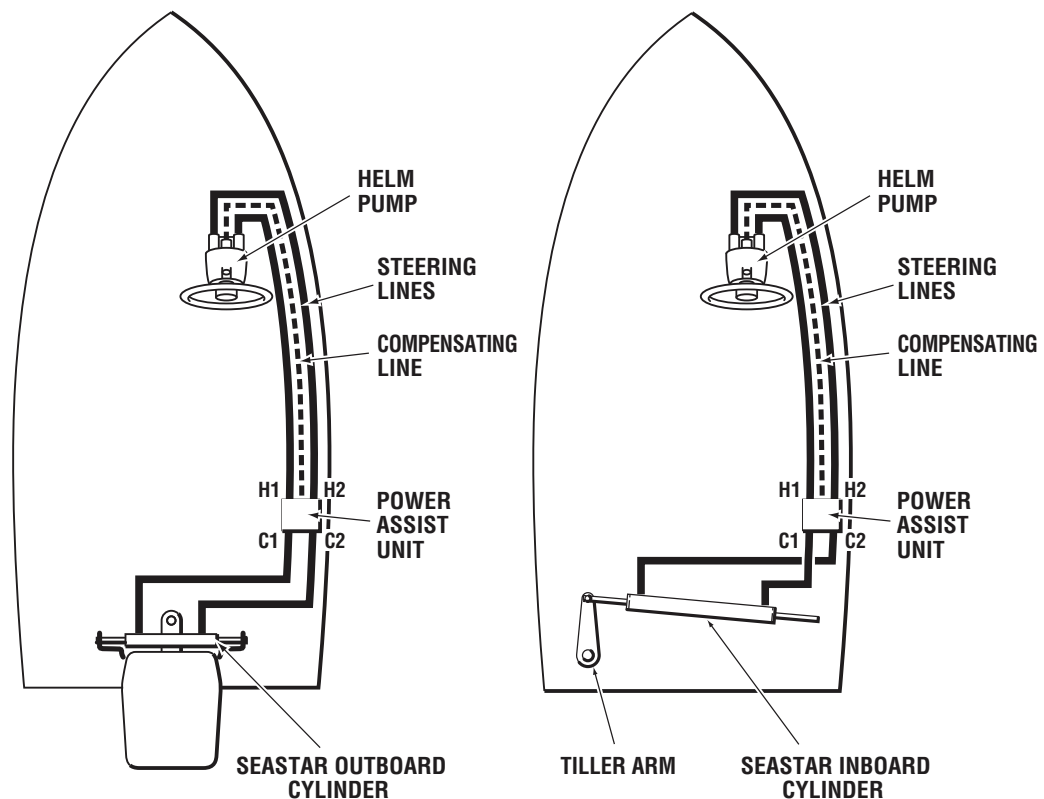
The SeaStar P/A system is comprised of two circuits: a hand operated manual system, which is the control element, and a hydraulic power pump, which is the working element.

The manual system consists of a helm pump with internal relief and check valves, as well as a built in reservoir. Two steering lines and a compensating line which provide a routing for fluid to transmit through the system, and a steering cylinder which moves the steering device on the boat from side to side.

The power system, is an electronically controlled hydraulic pump that boosts the fluid being sent from the helm pump to the steering cylinder (this will result in much easier effort at the wheel—even when under heavy loads). A compensating line connects the P/A unit to the helm pump, allowing the P/A unit to share fluid with the helm reservoir.

The SeaStar P/A is compatible with multiple steering stations, and with the use of an autopilot. In the event of a P/A power loss or failure the hydraulic system will automatically revert to a manual hydraulic system.

Typical installations shown (please refer to your cylinder installation manual for proper hose installation diagrams).





SeaStar P/A Compatibility Chart

The P/A is designed for use in recreational marine applications in conjunction with SeaStar Hydraulic Steering. Optimal performance will be obtained when used with SeaStar 1.4, 1.7 and 2.0 cu in (1000psi) helm pumps, or, 2.0 cu in (1500 psi) SeaStar P/A PRO Hydraulic Steering.

NOTICE

SeaStar nylon tube may ONLY be used for the compensating line. DO NOT use SeaStar Nylon tube to plumb any other portion of the steering system.

NOTICE

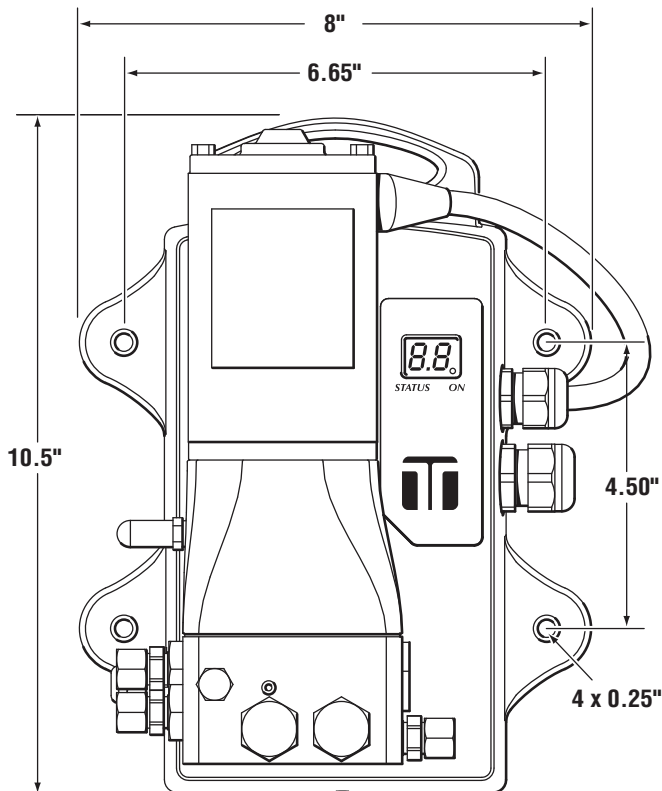
Plan ahead. There MUST be at least 4' (feet) of hose between the helm pump and power assist, or the power assist and the steering cylinder.

NOTICE

Use ONLY Teleflex products with the P/A unit as with ALL Teleflex systems. Failure to do so may void your warranty.

SeaStar P/A PRO is NOT to be used with SeaStar Hydraulic Steering, performance will be compromised. ONLY use P/A PRO with a SeaStar PRO Hydraulic steering system and ensure that SeaStar PRO (1500 psi) hose is used to plumb the entire system. (Nylon tubing may be used for the compensating/return line ONLY.)

Specifications



SEASTAR P/A 12VOLT, SEASTAR PRO P/A, 12 VOLT

- 12 Volts
- 1000 psi MAX System peak pressure (500 psi working load) SeaStar Standard
- 1500 psi MAX System peak pressure (500 psi working load) SeaStar Pro
- MAX Current Draw (at 1000psi) 55 amps
- Purple ignition wire MAX. current draw = 1 amp
- Typical current draw:
Single outboard ~ 3 amps, average
Twin Rudder inboard ~ 8 amps, average

SEASTAR P/A 24 VOLT. (SEASTAR PRO P/A IS NOT AVAILABLE IN 24 VOLT POWER).

- 24 Volts
- 1000 psi MAX., System peak pressure (500psi working load)
- MAX Current Draw (at 1000psi) 25 amps
- Purple ignition wire MAX. current draw = 1 amp
- Typical current draw:
Single outboard ~ 1.5 amps, average
Twin Rudder inboard ~ 4 amps, average

⚠ WARNING

DO NOT exceed peak operating pressure.
1000psi – Standard,
1500psi – Pro.

CHAPTER
3



OUTBOARD STEERING

SeaStar Outboard Hydraulic Steering offers three models of steering cylinders to suit most applications. The standard and most commonly used model is the Front Mount Steering Cylinder HC5345/47/48/58. The Side Mount Cylinder HC5370 and the Splashwell Mount Cylinder HC5380. Before ordering it is necessary to determine the best possible application for your boat, taking into account the hull design, speed and usage of the boat. Keep in mind that engines today have become larger, more powerful and heavier than in the past. Teleflex encourages you to use the tables noted below and select your system accordingly.

Selecting the outboard steering system best suited for your boat:

- 1) Using the table below, select your design of boat as per speed, hull design and horsepower.
- 2) Using the Application chart on page 3-5 choose the proper cylinder and tiebar equipment as per your outboard engine. If your engine is not noted, contact Teleflex or your Distributor for details.
- 3) Proceed to page 10-1 for details on fitting kits and particular equipment that will be needed to add a second station and/or and autopilot.

TYPICAL BOAT DESIGNS

- 1 INFLATABLE:** Boats manufacture from waterproofed fabric which are inflated with air in order to achieve their shape. The bottom of the hull may be made of fabric and/or fiberglass. They typically have narrow transoms. Boats may be single and/or dual engine, and is generally slower than 40 mp/h
- 2 CRUISER:** Cuddy/express/bridge cruiser primarily designed for cruising. It has overnight accommodations. Typically rigged with two steering stations. Boats may be single and/or dual engine, and is generally slower than 45 mp/h
- 3 RUNABOUT:** Intended for day boating. Typically a single engine, but, can be a dual engine boat. This includes tournament Ski boats and performance outboards. Boat speeds are generally slower than 60 mp/h
- 4 FISH "N" SKI:** Single engine boat designed for day fishing or skiing in protected waters. Boats speeds are generally slower than 40 mp/h
- 5 FISH BOAT:** Boat primarily designed and equipped for offshore fishing. May be rigged with a second station and may have single and/or dual outboards. Speeds are generally slower than 50 mp/h
- 6 CENTER CONSOLE:** Boats with the control station located on the center line of the boat. Designed specifically for fishing, may be single and/or dual engine(s). Boat speeds are generally slower than 65 mp/h.
- 7 BASS BOAT:** Single engine designed specifically for fishing in protected waters and has a flat bottomed hull. Generally performance orientated and speeds in excess of 60 mp/h.
- 8 PONTOON:** Twin or triple hull boats. Single and dual engine capable. Generally speeds to not exceed 60 mp/h. Note: High steering loads when equipped with engines over 115 HP.
- 9 CATAMARAN:** Twin hull vessels. Typically twin engine boats where the use of a mechanical tiebar is not possible. Speeds to not exceed 60 mp/h
- 10 COMMERCIAL/WORK/RESCUE/RACE/:** Any of the above noted boats but used in a more severe environment. Take special care when selecting a system for these boats to ensure that you have both comfortable and safe steering.

SEASTAR FRONT MOUNT OUTBOARD STEERING SYSTEM

Part# HC5345, HC5347, HC5348, HC5358

Features

- Independent engine tilt for twin engine installations.
- Easy steering.
- 5 turns lock to lock steering response.

Applications

- General purpose system.
- Single and multiple engine capability.
- Total power to 700 HP.
- Typical applications include center console fishboats and cruisers.

How to select a front mount outboard steering system

- 1) From the order guide on page 3-3 select the system configuration based on:
 - a) the number of engines, and
 - b) the total power of engine(s) to be installed.
- 2) From the application guides on page 3-5 to page 3-7, confirm that the Front Mount cylinder will fit your specific make, model and year of engine. Select the adapter kit for single engines or the tie bar kit for dual engines.”
- 3) From the order guide select the appropriate helms and accessory hardware for each steering station.
- 4) From the order guide select the fitting and hose kits required for the installation.
- 5) Confirm that there is sufficient space available in the splashwell and dash areas for the steering components.

⚠ CAUTION

Not recommended for use in installations where;

- a) chopper, cleaver or surface piercing propellers are used,
- b) the engine is highly elevated on the transom,
- c) engine trim tabs have been removed,
- d) the boat speed exceeds 75 mph (120 km/h), or
- e) the power exceeds the maximum Coast Guard or M.O.T. recommendations for the boat.

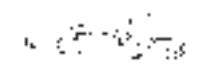
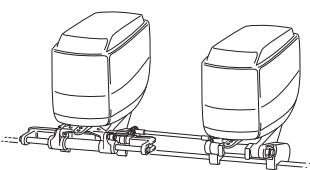
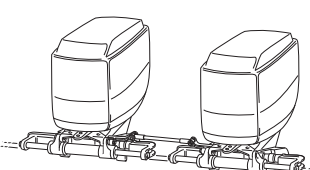
HC5345



Order Guide

NOTICE

Front Mount Cylinder part# HC5345 is included in the SeaStar Outboard Steering Kits HK6400/63XX and HK7400/73XX. If your engine requires the use of a cylinder other than the HC5345 (see application guides on pages 3-5 through 3-6) you will need to purchase the individual components (helm, cylinder, hoses, etc.) separately.

ENGINE/ CYLINDER CONFIGURATION	DESCRIPTION	QTY REQ	MODEL	PART NUMBER	REF. PAGE #	
SINGLE ENGINE (SINGLE CYLINDER) APPLICATIONS UP TO 350 HP MAX NUMBER OF TURNS 5 	CYLINDER	1	FRONT MOUNT	† HC5345		
	HELM	1	* SEASTAR I- STANDARD	HH5271	9-6	
	HOSE KIT	1	OUTBOARD HOSE	‡ H051_ _	10-2	
	OIL	3	SEASTAR OIL	HA5430	11-1	
	FOR EXTRA STEERING STATION ADD:					
	HELM	1	* SEASTAR I- STANDARD	HH5271	9-6	
	FITTING KIT	1	ADD A STATION	HF5501	10-10	
	HOSE KIT	1	OUTBOARD HOSE	‡ H051_ _	10-2	
	OIL	1	SEASTAR OIL	HA5430	11-1	
					† Refer to Application Guides on page 3-5 to page 3-7 for correct cylinder	
				‡ Refer to on page 10-2 for measuring hose distance		
DUAL ENGINE (SINGLE CYLINDER) NON-COUNTER ROTATING APPLICATIONS UP TO 450 HP MAX COUNTER ROTATING ENGINE APPLICATIONS UP TO 600 HP MAX NUMBER OF TURNS 5 	CYLINDER	1	FRONT MOUNT	† HC5345		
	TIE BAR KIT	1		HO60_ _		
	HELM	1	* SEASTAR I- STANDARD	HH5271	9-6	
	HOSE KIT	1	OUTBOARD HOSE	‡ H051_ _	10-2	
	OIL	3	SEASTAR OIL	HA5430	11-1	
	FOR EXTRA STEERING STATION ADD:					
	HELM	1	* SEASTAR I- STANDARD	HH5271	9-6	
	FITTING KIT	1	ADD A STATION	HF5501	10-10	
	HOSE KIT	1	OUTBOARD HOSE	‡ H051_ _	10-2	
	OIL	1	SEASTAR OIL	HA5430	11-1	
				† Refer to Application Guides on page 3-5 to page 3-7 for correct cylinder		
				‡ Refer to on page 10-2 for measuring hose distance		
DUAL ENGINE (DUAL CYLINDERS) NON-COUNTER ROTATING APPLICATIONS UP TO 600 HP MAX ALL COUNTER ROTATING ENGINE APPLICATIONS UP TO 700 HP MAX NUMBER OF TURNS 6.5 	CYLINDER	2	FRONT MOUNT	† HC5345		
	TIE BAR KIT	1		HO60_ _		
	HELM	1	** SEASTAR II- STANDARD	HH5272	9-6	
	HOSE KIT	1	OUTBOARD HOSE	‡ H051_ _	10-2	
	HOSE KIT	1	OUTBOARD HOSE	‡ H051_ _	10-2	
	HOSE KIT	1	OUTBOARD HOSE	‡ H051_ _	10-2	
	FITTING KIT	1	TEE FITTINGS	HF5530	10-1	
	OIL	3	SEASTAR OIL	HA5430	11-1	
	FOR EXTRA STEERING STATION ADD:					
	HELM	1	** SEASTAR II- STANDARD	HH5272	9-6	
FITTING KIT	1	ADD A STATION	HF5501	10-10		
HOSE KIT	1	OUTBOARD HOSE	‡ H051_ _	10-2		
OIL	1	SEASTAR OIL	HA5430	11-1		
				† Refer to Application Guides on page 3-5 to page 3-7 for correct cylinder		
				‡ Refer to on page 10-2 for measuring hose distance		
OPTIONAL EQUIPMENT	BACK PLATE KIT		(FOR STANDARD HELMS)	HA5418	9-3	
	20 DEGREE WEDGE		(FOR STANDARD HELMS)	HA5419	9-3	
	AUTOPILOT FITTING KIT		(FOR ALL HELMS)	HF5501	10-10	
	* TILT HELM- SEASTAR I			HH5741	9-7	
	REAR MOUNT HELM- SEASTAR I			HH5261	9-7	
	** TILT HELM- SEASTAR II			HH5742	9-7	
	REAR MOUNT HELM- SEASTAR II			HH5262	9-7	
	POWER ASSIST STEERING			PA1200	2-1	

300HP + Outboard Installation Recommendations

With the introduction of heavier, higher horsepower engines producing more torque, Teleflex Marine has updated its recommendations across various applications (single and multiple engines, different hull types, etc.) Please read carefully to ensure that your current steering system provides the best comfort versus performance available.

ENGINE	SEASTAR FRONT MOUNT <i>(Normal Use)</i>	SEASTAR FRONT MOUNT <i>(Aggressive Use - See Note 1)</i>	HYNAUTIC K-6 <i>(Normal Use ONLY)</i>
SINGLE ENGINE	SINGLE CYLINDER 350 HP Max 75 MPH Max HC53xx Cylinder <i>(See Note 2)</i>	SINGLE CYLINDER 350 HP Max HC63xx Pro Cylinder <i>(See Notes 2 & 3)</i>	SINGLE CYLINDER 300 HP Max 55 MPH Max
DUAL ENGINE NON COUNTER ROTATING	SINGLE CYLINDER 450 HP Max 55 MPH Max HC53xx Cylinder HO60xx Tie Bar	SINGLE CYLINDER Not Recommended	SINGLE CYLINDER 400 HP Max 55 MPH Max
	DUAL CYLINDER 600 HP Max 55 MPH Max HC53xx Cylinders HO60xx Tie Bar	DUAL CYLINDER 700 HP Max HC67xx Cylinders <i>(See Notes 2 & 4)</i> HO67xx Tie Bar	DUAL CYLINDER 500 HP Max 55 MPH Max
DUAL ENGINE COUNTER ROTATING	SINGLE CYLINDER 600 HP Max 55 MPH Max HC53xx Cylinder HO60xx Tie Bar	SINGLE CYLINDER Not Recommended	SINGLE CYLINDER 500 HP Max 55 MPH Max
	DUAL CYLINDER 600 HP Max 55 MPH Max HC53xx Cylinders HO60XX Tie Bar	DUAL CYLINDER 700 HP Max HC67xx Cylinders <i>(See Notes 2 & 4)</i> HO67xx Tie Bar	DUAL CYLINDER 500 HP Max 55 MPH Max
TRIPLE ENGINE ONE WITH COUNTER ROTATING	DUAL CYLINDER 900 HP Max 55 MPH Max HC53xx Cylinders HO60xx Tie Bar	DUAL CYLINDER 1050 HP Max HC67xx Cylinders <i>(See Notes 2 & 4)</i> HO67xx Tie Bars HA67xx Center Engine <i>(See Note 2)</i> Bracket Kit	NOT RECOMMENDED
	TRIPLE CYLINDER 900 HP Max 55 MPH Max HC53xx Cylinders HO60xx Tie Bar	TRIPLE CYLINDER 1050 HP Max HC67xx Cylinders <i>(See Notes 2 & 4)</i> HO67xx Tie Bars	NOT RECOMMENDED

1 Teleflex has specific steering equipment for boats that are driven aggressively, used in severe conditions or with more than 300 HP per engine.

2 **ALL ENGINES** over 300 HP and all boats that are driven aggressively must use a high strength tiller bolt, kit part # HA5822. All front mount cylinders built after June 15, 2007 will have this high strength bolt included in the box. High strength tiller bolts can be identified by the marking "TFX -ARP" on the head of the bolt (refer to NOTICE page 3-5).

3 HC63xx PRO Cylinders are designed for all those critical high speed, single outboard engine boats, such as Bass, Flats combo Race/Ski and other performance orientated boats capable of speeds in excess of 65 mph. For optimal performance, the use of SeaStar PRO Kevlar Steering Hoses is recommended.

4 HC67xx Tournament cylinders are designed for use with high powered fishing/sport boats. If your application calls for dual or triple outboard engines, is capable of speeds exceeding 55 mp/h and runs in open water, Tournament Cylinders should be used.

Single Engine Application Guide

Prior to selecting a cylinder from this application guide, please refer to page 3-4 to ensure that you are selecting the correct cylinder for your engine/boat.

NOTICE

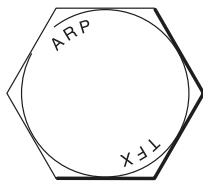
Is your Splashwell wide enough? Check page 3-11 for space requirements.

NOTICE

Front Mount Cylinder part# HC5345 is included in the SeaStar Outboard Steering Kits HK6400/63XX and HK7400/73XX. If your engine requires the use of a cylinder other than the HC5345 (see application guides on this page through 3-6) you will need to purchase the individual components (helm, cylinder, hoses, etc.) separately.

NOTICE

High Strength Tiller bolt, part# HA5822. ALL cylinders shipped after June 15th, 2007 will have this bolt included in the cylinder package.



CAUTION

SeaStar PRO Helms require the use of SeaStar PRO (1500 psi) Kevlar steering hoses.

MFG	YEAR	MODEL	CYL	NOTES
FORCE	1985-DATE	90-150 HP	HC5345	
HONDA	1996-DATE	75-90HP	HC5345	See Note 1
	1998-DATE	115-130HP	HC5347	
	1998-DATE	30-50HP	HC5345	
	2001-DATE	135-225HP 4-Stroke	HC5345	
	2003-DATE	BF135HP	HC5345	
JOHNSON/ EVINRUDE	1977-1990	65-300HP	HC5348	Inc. ETech See Note 1 See Note 1
	1988-1997	250-300HP V8	HC5342	
	1991-DATE	40-250HP	HC5345	
	1996-DATE	75-250HP Ficht	HC5345	
	1998-DATE	40-140HP 4-Stroke	HC5358	
	2000-DATE	115HP Ficht	HC5358	
	2002-DATE	200-225HP 4-Stroke	HC5345	
	2005-DATE	E250 DPX Vindicator	HC5348	
MERCURY	1984-1994	2.4/2.5HP EFI	HC5345	See Note 2
	1989-DATE	75-300HP	HC5345	See Note 1 See Note 3
	1996-DATE	75-225HP 4-Stroke	HC5345	
	1998-DATE	30-60HP	HC5345	
	2003-DATE	250-300HP XS	HC6345	
NISSAN	1990-DATE	90-140HP	HC5345	
SUZUKI	1986-DATE	100HP	HC5345	NOT 1996 See Note 1 See Note 1
	1986-2002	115-140HP	HC5345	
	1986-DATE	150-300HP 2 & 4-Stroke	HC5345	
	1996 ONLY	115-140HP	HC5348	
	1998-DATE	40-140HP 4-Stroke	HC5358	
	2003-DATE	90HP 4-Stroke	HC5358	
US MARINE	1996-DATE	90-120HP	HC5345	
YAMAHA	1990-2003	40-90HP	HC5345	See Note 5 See Note 5 See Note 1 See Note 4
	1986-DATE	100-250HP 2-Stroke	HC5345	
	1997-DATE	80-225HP 4-Stroke	HC5345	
	2000-DATE	150-250 HPDI	HC5345	
	2002-DATE	300 HPDI	HC5358	
	2003-DATE	25-60 HP 4-Stroke	HC5348	
	2007-DATE	350 HP	HC5345	
YANMAR	1994-DATE	90-120HP	HC5345	

- Requires Spacer Kit# HO5090.
- May Require Extensive Cowling Modifications.
- MUST** use High Strength Tiller bolt, part # HA5822. Refer to the NOTICE on this page identifying the high strength bolt.

- Optional cylinder part # HC5358. Slight interference may occur when using the HC5358, with the engine in the full tilt position.
- Cylinder part # HC5358 may also be used in these single engine applications.

The above engine applications are current through the revision date shown. For up-to-date engine applications go to: www.seastarsteerng.com

REVISION DATE: MAR. 24th 2008

Twin Engine Application Guide

Prior to selecting a cylinder from this application guide, please refer to page 3-4 to ensure that you are selecting the correct cylinder for your engine/boat.

NOTICE

Is your Splashwell wide enough? Check page 3-11 for space requirements.

MFG	YEAR	MODEL	CYL	TIE BAR KITS		NOTES
				TWIN x 1	TWIN x 2	
FORCE	1985-DATE	90-150 HP	HC5345	HO5008A	HO5008A	
HONDA	1996-DATE	75-90HP	HC5345	HO6001	HO6002	See Note 3
	1998-DATE	115-130HP	HC5347	HO5063	HO5064	See Note 5
	1998-DATE	30-50HP	HC5345	HO6001	HO6002	See Note 2
	2001-DATE	150HP 4-Stroke	HC5345	N/A	HO6002	See Note 7
	2001-DATE	225HP 4-Stroke	HC5345	HO6001	HO6002	
	2003-DATE	BF135HP	HC5345	HO6003	HO6002	
JOHNSON/ EVINRUDE	1977-1990	65-300HP	HC5348	HO6003	HO6002	
	1988-1997	250-300HP V8	HC5342	HO5001A	HO5030	See Note 5
	1991-DATE	40-250HP	HC5345	HO6003	HO6002	<i>Inc. ETech Engines.</i>
	1996-DATE	75-250HP Ficht	HC5345	HO6003	HO6002	
	1998-DATE	40-140HP 4-Stroke	HC5358	HO6003	HO6002	See Note 2
	2000-DATE	115HP FICHT	HC5358	HO6003	HO6002	See Note 2
	2002-DATE	200-225HP 4-Stroke	HC5345	HO6003	HO6002	
	2005-DATE	E250 DPX Vindicator	HC5348	HO6003	HO6002	
MERCURY	1984-1994	2.4/2.5HP EFI	HC5345	HO6001	HO6002	See Note 4
	1989-DATE	75-300HP	HC5345	HO6001	HO6002	See Note 3
	1996-DATE	75-200HP 2 & 4-Stroke	HC5345	HO6001	HO6002	
	1998-DATE	30-60HP	HC5345	HO6001	HO6002	See Note 2
	2002-DATE	225HP 4-Stroke	HC5358	HO6001	HO6002	See Note 1
	2003-DATE	250-300HP XS	HC5345	N/A	HO6002	See Note 6
NISSAN	1990-DATE	90-140HP	HC5345	HO6001	HO6002	
SUZUKI	1986-DATE	100HP	HC5345	HO6003	HO6002	
	1986-2002	115-140HP	HC5345	HO6001	HO6002	NOT 1996
	1986-DATE	150-300HP 2 & 4-Stroke	HC5345	HO6003	HO6002	
	1996 ONLY	115-140HP	HC5348	HO6001	HO6002	
	1998-DATE	40-140HP 4-Stroke	HC5358	HO6003	HO6002	See Note 2
	2003-DATE	90HP 4-Stroke	HC5358	HO6003	HO6002	See Note 2
US MARINE	1996-DATE	90-120HP	HC5345	HO6001	HO6002	
YAMAHA	1990-DATE	40-90HP	HC5345	HO6003	HO6002	
	1986-DATE	100-250HP 2-Stroke	HC5345	HO6001	HO6002	
	1997-DATE	80-225HP 4-Stroke	HC5358	HO6001	HO6002	See Note 1
	2000-DATE	150-250 HPDI	HC5358	HO6001	HO6002	See Note 1
	2002-DATE	300 HPDI	HC5358	HO6001	HO6002	
	2003-DATE	25-60HP 4-Stroke	HC5348	HO6003	HO6002	See Note 2
	2006-DATE	350HP	<i>MUST Use Tournament Cylinders. Refer to Page 3-8</i>			
YANMAR	1994-DATE	90-120HP	HC5345	HO6001	HO6002	

1. HC5345 is optional for **SINGLE ENGINE ONLY** applications. **DO NOT** use HC5345 for twin engine applications as operational interference may occur.

2. Requires Kit HO5090

3. Minimum Engine Center = 27"

4. May Require Extensive Cowling Modifications

5. HO5030 and HO5064 comes without Tie Bar

6. One cylinder per engine. Must use Mercury supplied tiller bolt for installation.

7. Interference will occur when using a single HC5345 cylinder and HO6003 tiebar when installed in the aft hole on the steering arm. Options include, a) install tiebar into most forward hole (this will limit steering articulation), b) purchase K-6 Cylinder, and tiebar kit part # HO5009. There will be no interference when using twin HC5345 cylinders.

The above engine applications are current through the revision date shown. For up-to-date engine applications go to: www.seastarsteerng.com

REVISION DATE: NOV. 23rd 2007

Triple Engine Application Guide

Prior to selecting a cylinder from this application guide, please refer to page 3-4 to ensure that you are selecting the correct cylinder for your engine/boat.

⚠ WARNING

Use of incorrect components on a high speed/performance boat, may lead to bending and breaking of components resulting in steering failure causing property damage and/or personal injury.

NOTICE

Tournament Tiebar Cylinder should be used on ALL Tournament/High Speed (60 Mph and above) multi-engine boats. Please refer to page 3-8.

MFG	YEAR	MODEL	CYL	PORT TO DRIVE CYL	STARBOARD TO DRIVE CYL	NOTES
FORCE	1995-DATE	90-120HP	HC5345	HO6001	HO6002	See Note 4
HONDA	1996-DATE 2001-DATE	75-90HP 135-225HP 4-Stroke	HC5345 HC5345	HO6001 HO6003	HO6002 HO6002	See Note 2, 4 See Note 4
MERCURY	1989-DATE 2003-DATE	75-275HP 250-300HP XS	HC5345 HC5345	HO5081 HO6002 HO6002		See Note 4 See Note 3, 4
JOHNSON/ EVINRUDE	1991-DATE 1991-DATE 1991-DATE 1991-DATE 1998-DATE 2005-DATE	90-175HP 250-300HP 200-225HP 90-225HP Ficht 65-70HP 4-Stroke E250 DPX Vindicator	HC5345 HC5345 HC5345 HC5345 HC5345 HC5348	HO5080 HO6001 HO6002 HO6003 HO6002 HO5080 HO6003 HO6002 HO6003 HO6002		See Note 4 See Note 4 See Note 4 See Note 2, 4 See Note 1, 4 See Note 4
SUZUKI	1986-DATE 1986-DATE 1998-DATE 2001-DATE	150-200HP 2 & 4-Stroke 115-140HP 65-70HP 4-Stroke 250-300HP	HC5345 HC5345 HC5345 HC5345	HO6003 HO6003 HO6001 HO6001	HO6002 HO6002 HO6002 HO6002	See Note 4 See Note 4 See Note 1, 4 See Note 4
YAMAHA	1990-DATE 1990-DATE 1998-DATE 2001-DATE 2006-DATE	100-200HP 225-250HP 4-Stroke 80-100HP 4-Stroke 150-300HP HPDI 350HP	HC5345 HC5358 HC5358 HC5358	HO6001 colspan="2">HO5080 HO6001 HO6002 HO6001 HO6002	See Note 4 See Note 4 See Note 4 See Note 4 See Note 3	
				<i>MUST Use Tournament Cylinders. Refer to Page 3-8</i>		

- 1. Requires Kit HO5090
- 2. Minimum Engine Center = 29"
- 3. One cylinder required per engine. MUST use high strength tiller bolt part # HA5822.
- 4. For high performance/speed applications, please refer to the Caution noted at the bottom of this page.

The above engine applications are current through the revision date shown. For up-to-date engine applications go to: www.seastarsteerng.com

REVISION DATE: SEPT. 4th 2007

NOTICE

A minimum of two cylinders will be required to operate a triple engine installation with the exception of Mercury XS engines which MUST use one cylinder per engine.

NOTICE

Is your Splashwell wide enough? Check page 3-11 for space requirements.

Tournament Series Tiebar Cylinders

NOTICE

Maximum engine centers for:
 Single cylinder = 41"
 Twin cylinders = 32-1/8"

With the power and speed increasing for performance orientated fishing boats, Teleflex Marine felt it prudent to set up a dedicated application for these types of boats. If your application calls for a dual or triple Outboard Engine configuration, is capable of speeds exceeding 55mph and runs in open water, please refer to the Tournament Tiebar Cylinders to achieve performance, durability and safety.



MAKE	YEAR	TWIN ENGINE CYLINDERS	TRIPLE ENGINE CYLINDERS *Note
HONDA All models	200-250HP	HC6750 (s) x 1 HC6751 (p) x 1 Tiebar HO6700 x 1	HC6750 (s) x 1 HC6751 (p) x 1 HC6752 (c) x 1 2 x HO6700 tiebar kits required for triples.
EVINRUDE Salt/Fresh/DI engines	200-300HP	HC6753 (s) x 1 HC6754 (p) x 1 Tiebar HO6700 x 1	HC6753 (s) x 1 HC6754 (p) x 1 HC6755 (c) x 1 2 x HO6700 tiebar kits required for triples.
MERCURY Verado N/A	200-300HP	HC6750 (s) x 1 HC6751 (p) x 1 Tiebar HO6700 x 1	HC6750 (s) x 1 HC6751 (p) x 1 HC6752 (c) x 1 2 x HO6700 tie bar kits required for triples.
	250-300HP XS <i>(One cylinder per engine required.)</i>	HC6750 (s) x 1 HC6751 (p) x 1 Tiebar HO6700 x 1	HC6750 (s) x 1 HC6751 (p) x 1 HC6752 (c) x 1 2 x HO6700 tiebar kits required for triples.
SUZUKI All models	200-300HP 2 and 4 stroke	HC6750 (s) x 1 HC6751 (p) x 1 Tiebar HO6700 x 1	HC6750 (s) x 1 HC6751 (p) x 1 HC6752 (c) x 1 2 x HO6700 tiebar kits required for triples.
YAMAHA All models	200-300HP	HC6753 (s) x 1 HC6754 (p) x 1 Tiebar HO6700 x 1	HC6753 (s) x 1 HC6754 (p) x 1 HC6755 (c) x 1 2 x HO6700 tiebar kits required for triples.
	350HP	HC6750 (s) x 1 HC6751 (p) x 1 Tiebar HO6700 x 1	HC6750 (s) x 1 HC6751 (p) x 1 HC6752 (c) x 1 2 x HO6700 tiebar kits required for triples.

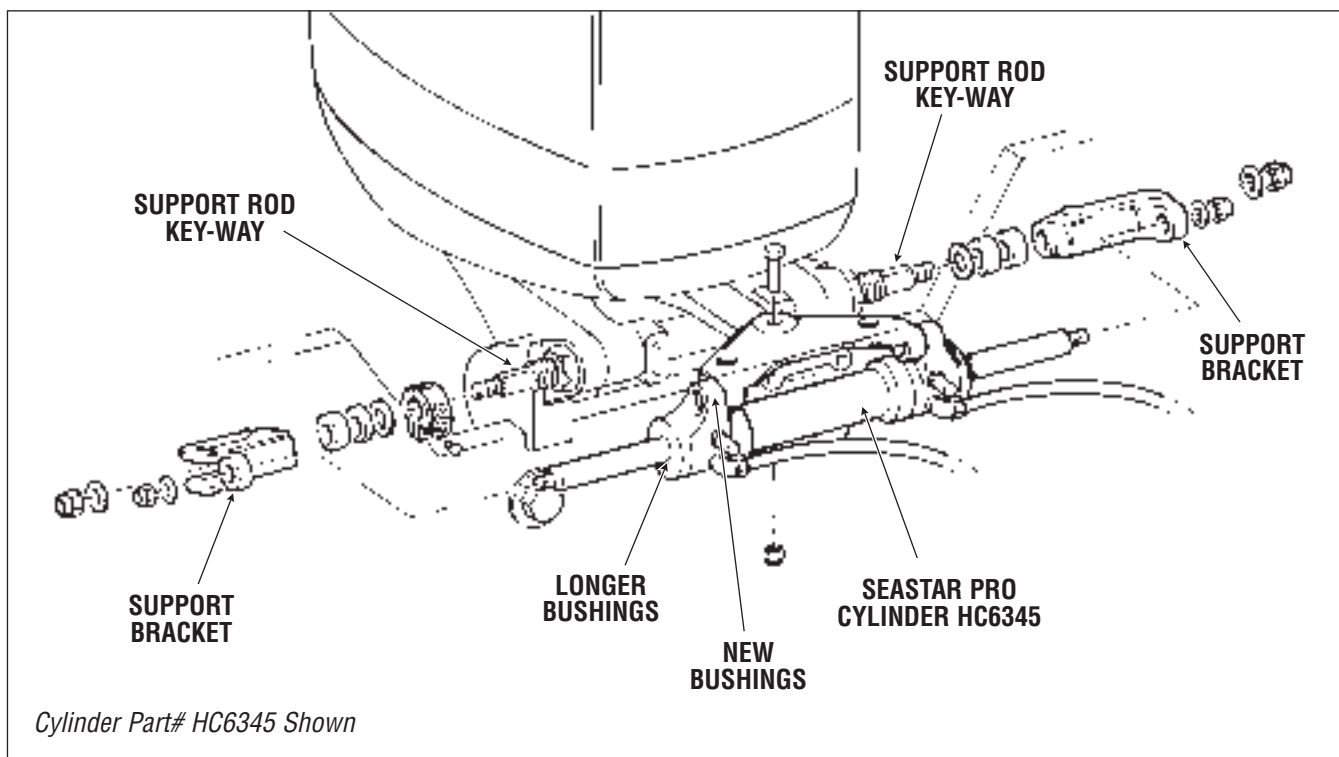
REVISION DATE: NOV. 22nd 2007

NOTICE

* All triple engine applications, excluding the Mercury XS line, may use a twin cylinder set up with the additional purchase of a "center engine bracket kit, part # HA6701.

SeaStar Pro Steering Systems

SeaStar PRO Outboard Steering systems are suited for all those critical high speed, single powered outboard boats, like Bass, Flats, combo Race/Ski and other performance orientated boats capable of speeds in excess of 65mph. Before ordering it is necessary to determine the proper cylinder and helm pump for your application. Using the table on page 3-10, choose the correct cylinder as per your outboard engine. All SeaStar PRO systems require the use of a SeaStar PRO helm and SeaStar PRO (1500psi) reinforced Kevlar hoses ONLY!



⚠ WARNING

SeaStar PRO Helm systems require the use of SeaStar PRO (1500 psi) reinforced Kevlar Hoses ONLY.

Helm Pumps

SeaStar PRO Steering systems have the option to install a standard front mounting helm, both traditional and sport tilt as well as rear mount helm pumps. Please refer to page 9-1 for style and page 9-5 for PRO Helm part numbers.

⚠ CAUTION

SeaStar PRO Helms require the use of SeaStar PRO (1500 psi) Kevlar steering hoses

SeaStar Pro Application Guide

NOTICE

Is your Splashwell wide enough? Check page 3-11 for space requirements.

MFG	YEAR	MODEL	CYL	NOTES
FORCE	1985-DATE	90-150HP	HC6345	
HONDA	1996-DATE	150-300HP	HC6345	
JOHNSON/ EVINRUDE	1977-1990	150-300HP	N/A	Contact Teleflex
	2002-DATE	150-250HP 4-Stroke	HC6345	
	2003-DATE	150-300HP ETech	HC6345	
	2005-DATE	E250HP Vindicator	N/A	Contact Teleflex
MERCURY	1989-DATE	150-300 2-Stroke, 4-Stroke and XS Engines	HC6345	XS engine requires mercury supplied tiller bolt on install
SUZUKI	1986-DATE	150-250 HP 2 and 4-Stroke	HC6345	
YAMAHA	1986-DATE	150-250HP 2 and 4-Stroke	HC6345	
	2002-DATE	300 HPDI	HC6358	

REVISION DATE: FEB. 10TH 2006

NOTICE

SeaStar PRO Steering Systems can not be used with an unbalanced steering cylinder.

Cylinder Installation and General Dimensions

⚠ WARNING

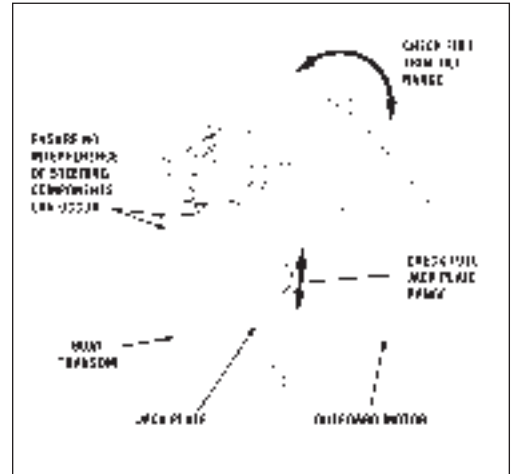
Operational interference of the steering cylinder/cylinder fittings and jackplates/transom/splashwell can occur under certain conditions. Check installation thoroughly throughout the full range of Motor Tilt, Jack Height and Trim before making final installation.

If interference does occur, contact:

Teleflex Canada Limited Partnership for additional information/options.

Telephone: **604-270-6899** Fax: **604-279-2202**

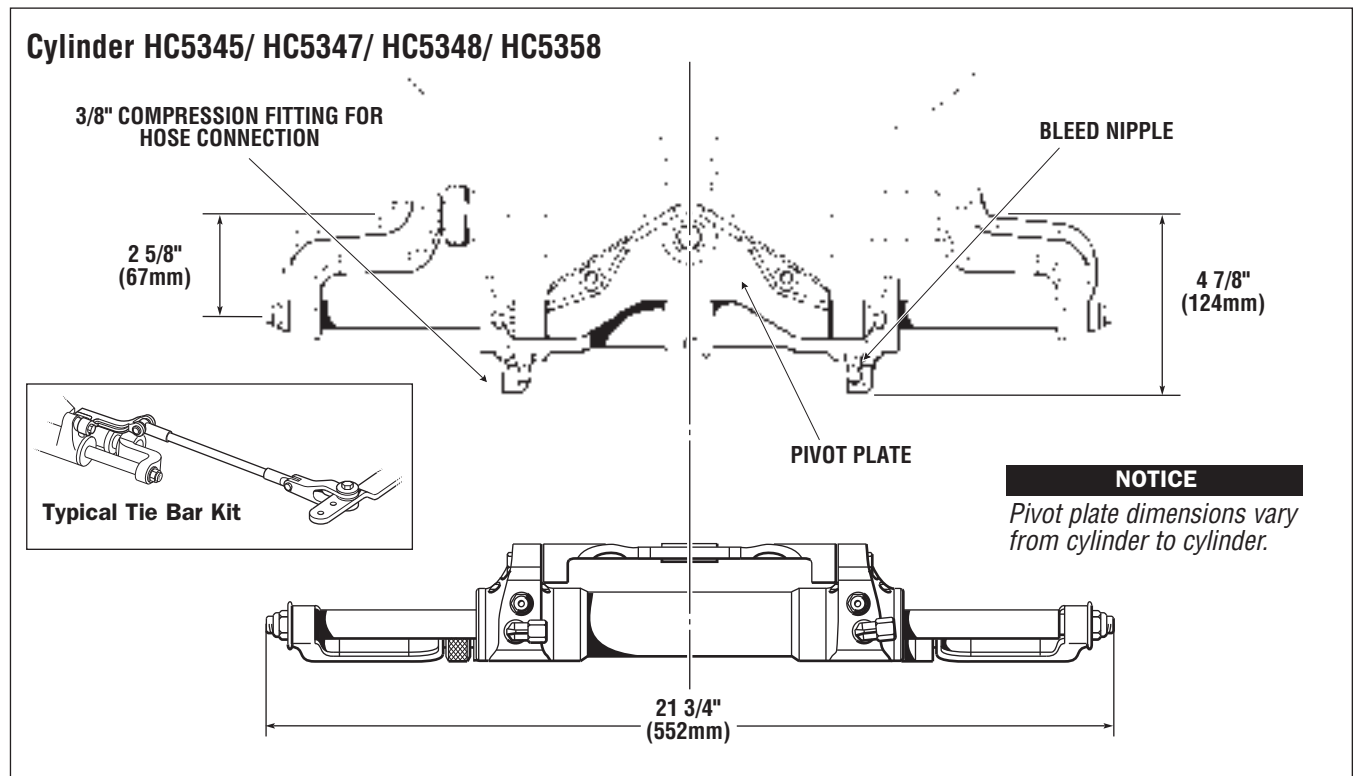
If interference is not eliminated total steering loss can occur, causing property damage and/or personal injury.



Motor Well dimensions required for front mount outboard steering systems	# OF ENGINES	A	B	C	MIN. ENGINE CENTER DISTANCE
	1	22" (559mm)	6" (152mm)	5" (127mm)	N/A
	2	49" (1244mm)	6" (152mm)	5" (127mm)	26" (660mm)

NOTES

- Dimensional restrictions also apply to external motor mount brackets.
- Maximum engine center distance for twin engine applications is 36" (914mm) using the standard tiebar. Dimension 'A' would have to be increased proportional to the tiebar length.
- Minimum engine center distance is 26" unless engine manufacturer recommendation is greater.



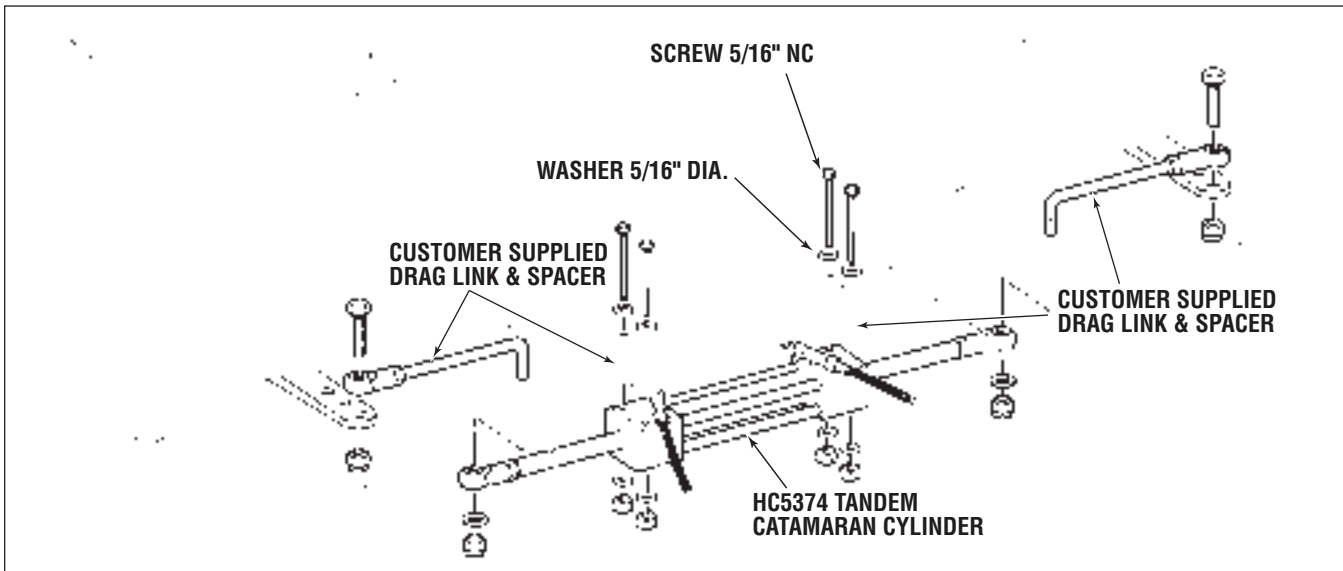
Outboard-Catamaran

Horsepower Limitations

ENGINE CONFIGURATIONS	MAXIMUM HORSEPOWER	CYLINDER	RECOMMENDED HELM PUMP	NO. OF STEERING WHEEL TURNS
NON COUNTER-ROTATING	UP TO 450HP	HC5343 HC5374	HH5271 HH5272	5 5.5
COUNTER-ROTATING	UP TO 600HP	HC5343 HC5374	HH5271 HH5272	5 5.5

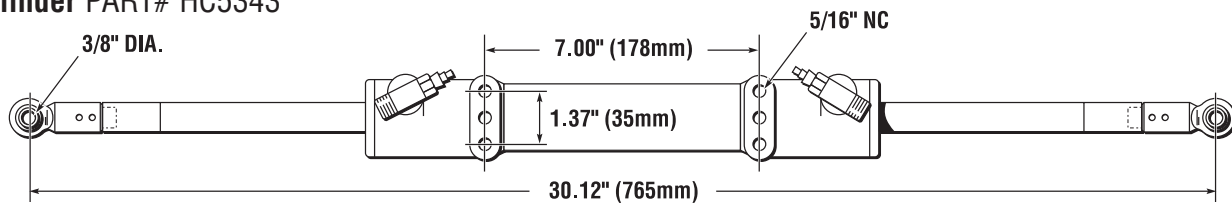
To establish whether or not this cylinder is suitable for your application, the following points should be considered:

1. Fore and aft alignment of cylinder. If not mounted in line, motors will have a different turning radius.
2. Distance between motors.
3. Distance of travel in tilt arc.
4. Horizontal alignment of cylinder.

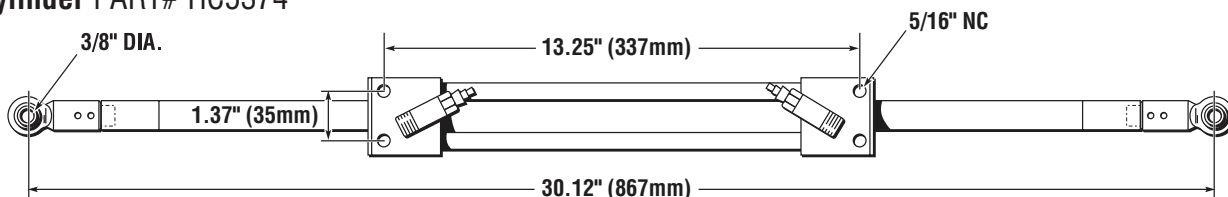


Cylinder Part# HC5374 Shown

Cylinder PART# HC5343



Cylinder PART# HC5374



SEASTAR SIDE MOUNT OUTBOARD STEERING SYSTEM

Part# HC5370

Features

- Ease of installation.
- Alternative to Front Mount Cylinder.
- Unbalanced cylinder with 4.8/5.7 turns lock to lock.
- Suitable for installation in shallow splashwells.
- Suitable for use on engines fitted with power steering.

Applications

- All engines with threaded tilt (steering) tubes complying with ABYC P17/ABYC P21/NMEA/BIA standards for mechanical steering.
- Cylinder attaches to the engine tilt tube as per ABYC/NMEA/BIA standard.
- Single and multiple outboard engine installations.
- Total power to 600 HP in counter rotating application. (see order guide)
- Typical applications include center console fishboats and cruisers.

How to select a side mount outboard steering system

⚠ WARNING

**Not for use with SeaStar-Pro
Helm Pumps.**

- 1) From the order guide on page 3-14 select the system configuration based on;
 - a) the number of engines, and
 - b) the total power of engine(s) to be installed.
- 2) From the order guide select the cylinder(s) and tie bar kits required.
- 3) From the order guide select the appropriate helms and accessory hardware for each steering station.
- 4) From the order guide select the fitting and hose kits required for the installation.
- 5) Confirm that there is sufficient space available in the splashwell and dash areas for the steering components.

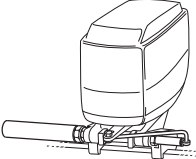
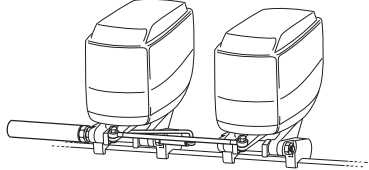
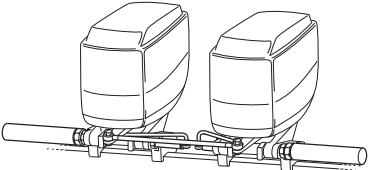
NOTICE

*Not recommended for use in
installations where;*

- a) chopper, cleaver, or surfacing
piercing propellers are used,*
- b) the engine is highly elevated
on the transom,*
- c) engine trim tabs have been
removed,*
- d) the boat speed exceeds
75 mph (120 km/h), or*
- e) the power exceeds maximum
Coast Guard or M.O.T.
recommendations for the boat.*

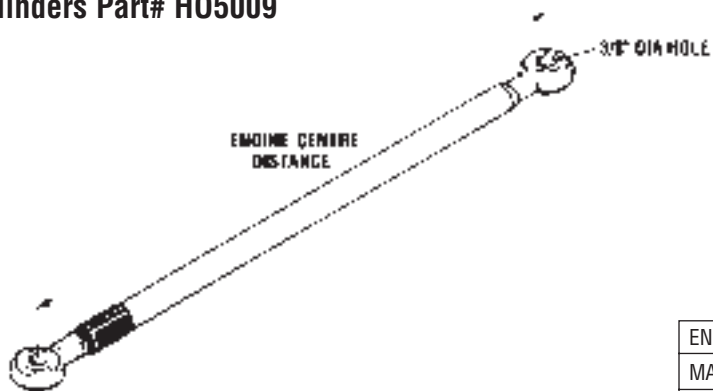


Order Guide

ENGINE/ CYLINDER CONFIGURATION	DESCRIPTION	QTY REQ	MODEL	PART NUMBER	REF. PAGE #	
SINGLE ENGINE (SINGLE CYLINDER) APPLICATIONS UP TO 300 HP MAX NUMBER OF TURNS 4.8/5.7 	CYLINDER	1	SIDE MOUNT	HC5370		
	HELM	1	* SEASTAR I- STANDARD	HH5271	9-6	
	HOSE KIT	1	OUTBOARD HOSE	HO51__	10-2	
	OIL	3	SEASTAR OIL	HA5430	11-1	
	FOR EXTRA STEERING STATIONS ADD:					
	HELM	1	* SEASTAR I- STANDARD	HH5271	9-6	
	FITTING KIT	1	ADD A STATION	HF5501	10-10	
	HOSE KIT	1	OUTBOARD HOSE	HO51__	10-2	
	OIL	1	SEASTAR OIL	HA5430	11-1	
	DUAL ENGINE (SINGLE CYLINDER) NON-COUNTER ROTATING APPLICATIONS UP TO 300 HP MAX COUNTER ROTATING ENGINE APPLICATIONS UP TO 600 HP MAX NUMBER OF TURNS 4.8/5.7 	CYLINDER	1	SIDE MOUNT	HC5370	
TIE BAR KIT		1	TIE BAR ONLY	HO5009		
HELM		1	* SEASTAR I- STANDARD	HH5271	9-6	
HOSE KIT		1	OUTBOARD HOSE	HO51__	10-2	
OIL		3	SEASTAR OIL	HA5430	11-1	
FOR EXTRA STEERING STATIONS ADD:						
HELM		1	* SEASTAR I- STANDARD	HH5271	9-6	
FITTING KIT		1	ADD A STATION	HF5501	10-10	
HOSE KIT		1	OUTBOARD HOSE	HO51__	10-2	
OIL		1	SEASTAR OIL	HA5430	11-1	
DUAL ENGINE (DUAL CYLINDERS) NON-COUNTER ROTATING APPLICATIONS UP TO 600 HP MAX ALL COUNTER ROTATING ENGINE APPLICATIONS NUMBER OF TURNS 7.5 	CYLINDER	2	SIDE MOUNT	HC5370		
	TIE BAR KIT	1	TIE BAR ONLY	HO5009		
	HELM	1	** SEASTAR II- STANDARD	HH5272	9-6	
	HOSE KIT	1	OUTBOARD HOSE	HO51__	10-2	
	HOSE KIT	1	OUTBOARD HOSE	HO51__	10-2	
	HOSE KIT	1	OUTBOARD HOSE	HO51__	10-2	
	FITTING KIT	1	TEE FITTINGS	HF5530	10-1	
	OIL	3	SEASTAR OIL	HA5430	11-1	
	FOR EXTRA STEERING STATIONS ADD:					
	HELM	1	** SEASTAR II- STANDARD	HH5272	9-6	
FITTING KIT	1	ADD A STATION	HF5501	10-10		
HOSE KIT	1	OUTBOARD HOSE	HO51__	10-2		
OIL	1	SEASTAR OIL	HA5430	11-1		
OPTIONAL EQUIPMENT	BACK PLATE KIT		(FOR STANDARD HELMS)	HA5418	9-3	
	20 DEGREE WEDGE		(FOR STANDARD HELMS)	HA5419	9-3	
	AUTOPILOT FITTING KIT		(FOR ALL HELMS)	HF5501	10-10	
	* TILT HELM- SEASTAR I			HH5741	9-7	
	REAR MOUNT HELM- SEASTAR I			HH5261	9-7	
	** TILT HELM- SEASTAR II			HH5742	9-7	
	REAR MOUNT HELM- SEASTAR II			HH5262	9-7	
POWER ASSIST STEERING			PA1200	2-1		

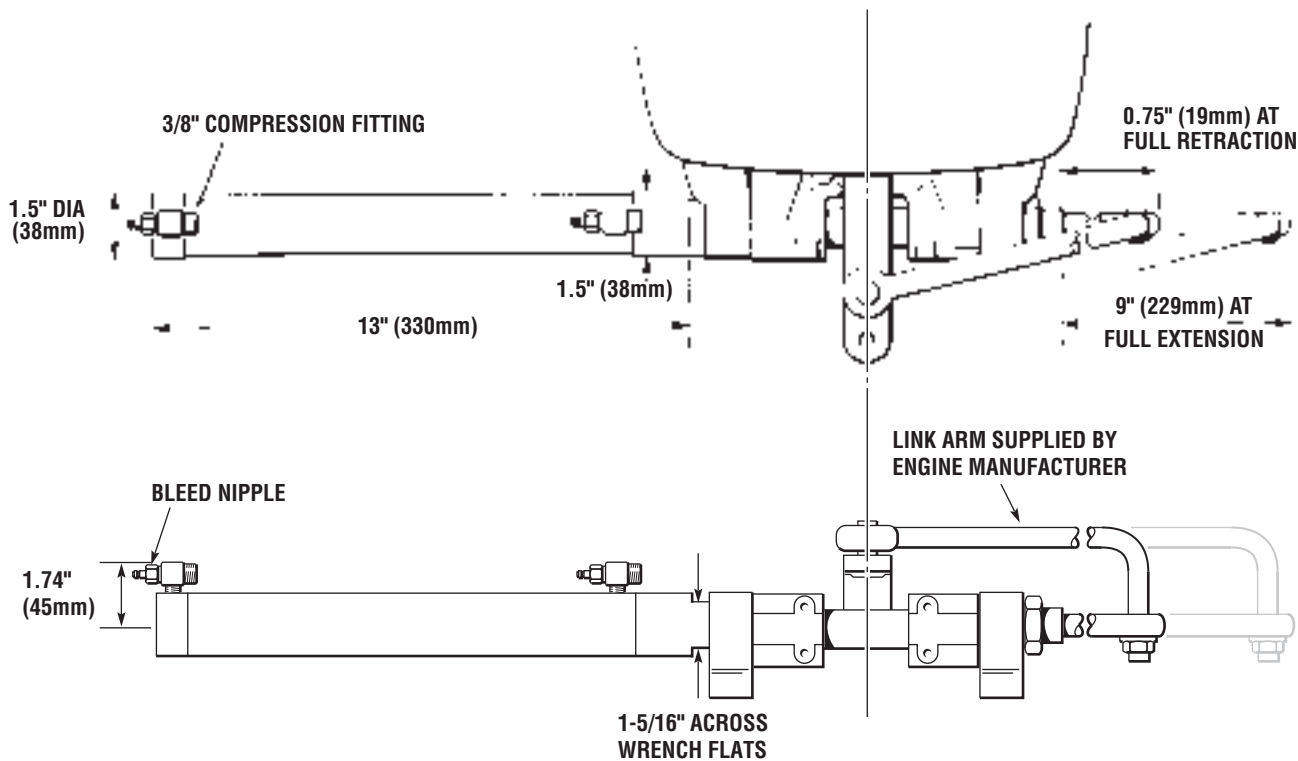
General Dimensions

Tie Bar for Side Mount Cylinders Part# H05009



ENGINE CENTRE DISTANCE	
MAXIMUM:	36" (914mm)
MINIMUM:	26" (660mm)

PART# HC5370



SEASTAR SPLASHWELL MOUNT OUTBOARD STEERING SYSTEM

Part# HC5380

NOTICE

Not for use with SeaStar Pro Helms.

Features

- Light duty alternative to front & side mount cylinders.
- Unbalanced cylinder with 5.5/6.5 turns lock to lock.
- Fits engines with/without support (steering) tube.

Applications

- Single & multiple engine capability.
- Total power to 600 HP in counter rotating application. (see order guide)
- Transom or hull mounted cylinder.
- Speeds to 60mph maximum (97km/h).

How to select a splashwell mount outboard steering system

- 1) From the order guide on page 3-17 select the system configuration based on;
 - a) the number of engines, and
 - b) the total power of engine(s) to be installed.
- 2) Select the cylinder and tie bar kit required.
- 3) From the order guide select the appropriate helms and accessory hardware for each steering station.
- 4) From the order guide select the fitting and hose kits required. You will have to determine the configuration, length, number of hose and fitting kits required for the installation (refer to page 10-2).
- 5) Confirm that there is sufficient space available in the splashwell and dash areas for the steering components.

NOTICE



Not recommended for use in installations where;

- a) chopper, cleaver or surfacing piercing propellers are used,*
- b) the engine is highly elevated on the transom,*
- c) engine trim tabs have been removed,*
- d) the boat speed exceeds 60mph (97km/h), or*
- e) the power exceeds maximum Coast Guard or M.O.T. recommendations for the boat.*



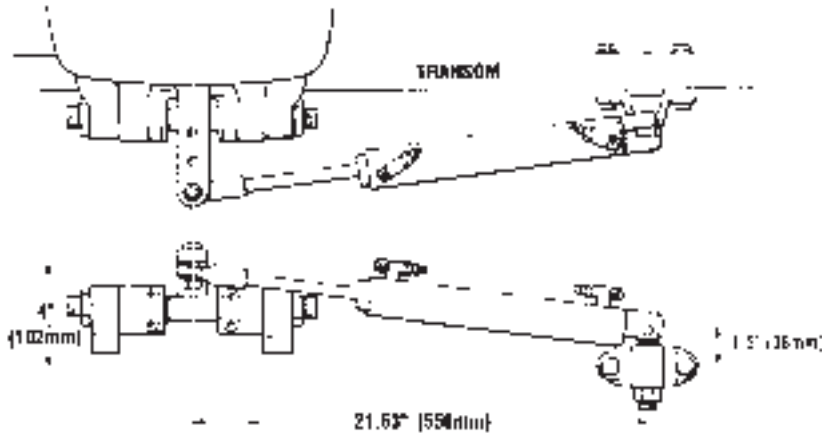
Order Guide

The splashwell mount cylinder (part no. HC5380) can be used on all engines complying with ABYC P17/NMEA/BIA standards provided they have a threaded attachment hole (3/8" – 24 UNF thread) in the steering arm. Not suitable for use on engines fitted with factory power steering.

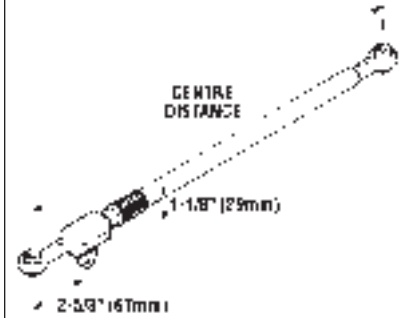
ENGINE/ CYLINDER CONFIGURATION	DESCRIPTION	QTY REQ	MODEL	PART NUMBER	REF. PAGE #	
SINGLE ENGINE (SINGLE CYLINDER) APPLICATIONS UP TO 300 HP MAX NUMBER OF TURNS 5.5/6.5 	CYLINDER	1	SPLASHWELL	HC5380		
	HELM	1	* SEASTAR I- STANDARD	HH5271	9-6	
	HOSE KIT	1	OUTBOARD HOSE	H051__	10-2	
	OIL	3	SEASTAR OIL	HA5430	11-1	
	FOR EXTRA STEERING STATIONS ADD:					
	HELM	1	* SEASTAR I- STANDARD	HH5271	9-6	
	FITTING KIT	1	ADD A STATION	HF5501	10-10	
	HOSE KIT	1	OUTBOARD HOSE	H051__	10-2	
	OIL	1	SEASTAR OIL	HA5430	11-1	
	DUAL ENGINE (SINGLE CYLINDER) NON-COUNTER ROTATING APPLICATIONS UP TO 300 HP MAX COUNTER ROTATING ENGINE APPLICATIONS UP TO 600 HP MAX NUMBER OF TURNS 5.6/6.5 	CYLINDER	1	SPLASHWELL	HC5380	
TIE BAR KIT		1	SPLASHWELL			
				MOUNT TIE BAR	HO5010	
HELM		1	* SEASTAR I- STANDARD	HH5271	9-6	
HOSE KIT		1	OUTBOARD HOSE	H051__	10-2	
OIL		3	SEASTAR OIL	HA5430	11-1	
FOR EXTRA STEERING STATIONS ADD:						
HELM		1	* SEASTAR I- STANDARD	HH5271	9-6	
FITTING KIT		1	ADD A STATION	HF5501	10-10	
HOSE KIT		1	OUTBOARD HOSE	H051__	10-2	
OIL	1	SEASTAR OIL	HA5430	11-1		
OPTIONAL EQUIPMENT	BACK PLATE KIT		(FOR STANDARD HELMS)	HA5418	9-3	
	20 DEGREE WEDGE		(FOR STANDARD HELMS)	HA5419	9-3	
	AUTOPILOT FITTING KIT		(FOR ALL HELMS)	HF5501	10-10	
	* TILT HELM- SEASTAR I			HH5741	9-7	
	REAR MOUNT HELM- SEASTAR I			HH5261	9-7	
	POWER ASSIST STEERING			PA1200	2-1	

General Dimensions

Mounting Configuration



Tie Bar Kit# H05010

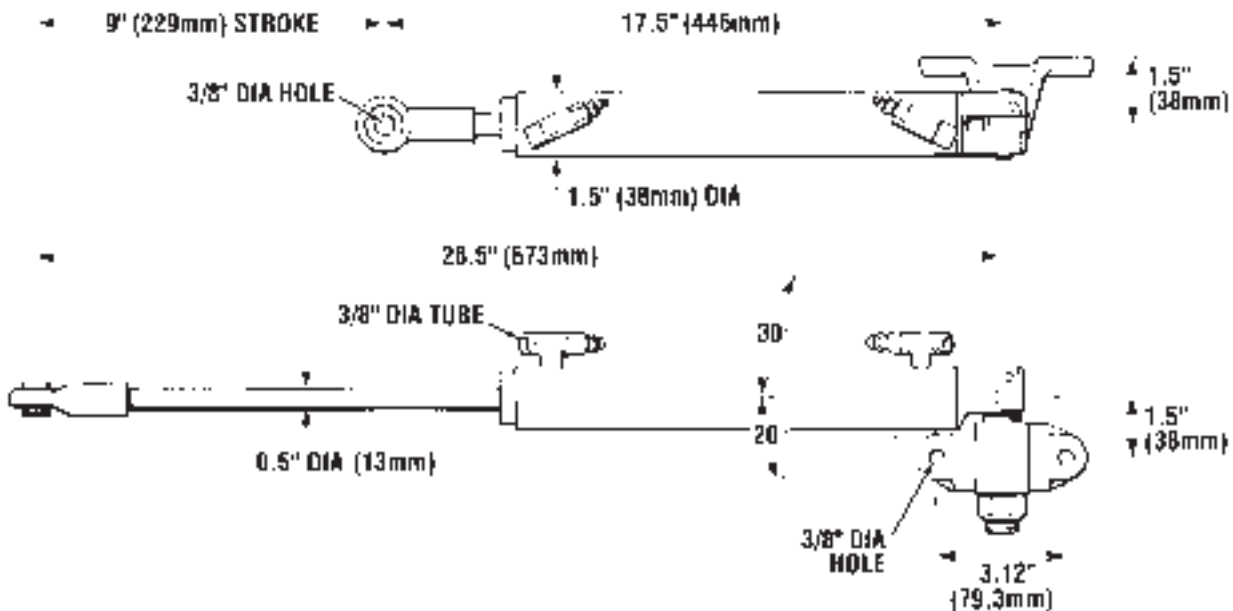


36" (914mm)	MAXIMUM ENGINE CENTRE DISTANCE
26" (660mm)	MINIMUM ENGINE CENTRE DISTANCE

PART# HC5380

NOTICE

DO NOT use a PRO Helm pump with this, or any other unbalanced steering cylinder.



STERNDRIVE STEERING

Features

- Easy installation.
- Simple autopilot interface.
- Simple multiple steering station connection.

Applications

- Fits most power and non-power assist sterndrives.
- Single and multiple drives.

How to select a steering system for a stern drive

- 1) From the order guide on page 4-2 select the drive configuration based on the number of drives.
- 2) From the application guide on page 4-3 confirm that a cylinder is available for your specific make, model and year of drive unit. Select the cylinder that is appropriate for the drive.
- 3) From the order guide select the appropriate helm and accessory hardware. Note that two helm pumps of different displacements are available for power steered sterndrives. The displacement of the helm affects the number of turns lock to lock. Select the helm displacement on the basis of the desired steering response.
- 4) Select the appropriate tube or hose and fitting kits.
- 5) Confirm that sufficient space is available in the dash and engine compartments for the equipment.



Order Guide

SYSTEM CONFIGURATION	COMPONENT DESCRIPTION	QTY REQ	MODEL	PART #	PAGE REF #	
<p>SINGLE & DUAL STERNDRIVE (For dual sterndrive applications use engine manufactures supplied tie bar.)</p>	CYLINDER	1	SEE APPLICATION GUIDE			
	HELM	1	* SEASTAR I STANDARD (SEE NOTE 1)	HH5271	9-6	
			** SEASTAR II-STANDARD (SEE NOTE 2)	HH5272	9-6	
	OIL TUBE/HOSE	3	SEASTAR OIL SEE NOTE 3	HA5430	11-1 10-6	
	FOR EXTRA STEERING STATION ADD:					
	HELM	1	* SEASTAR I STANDARD (SEE NOTE 1)	HH5271	9-6	
			** SEASTAR II-STANDARD (SEE NOTE 2)	HH5272	9-6	
	FITTING KIT	1	ADD A STATION - FOR SEASTAR I HELMS - FOR SEASTAR II HELMS	HF5502 HF5501	10-11 10-10	
	OIL EXTRA TUBE/HOSE	1	SEASTAR OIL SEE NOTE 3		11-1 10-6	
	OPTIONAL EQUIPMENT					
	BACK PLATE KIT		(FOR STANDARD HELMS)	HA5418	9-3	
	20 DEGREE WEDGE KIT		(FOR STANDARD HELMS)	HA5419	9-3	
	AUTOPILOT FITTING KIT		(FOR ALL HELMS)	HF5502	10-11	
	* TILT HELM-SEASTAR I			HH5741	9-7	
	REAR MOUNT HELM-SEASTAR I			HH5261	9-7	
	** TILT HELM-SEASTAR II			HH5742	9-7	
	REAR MOUNT HELM-SEASTAR I			HH5262	9-7	
	POWER ASSIST STEERING			PA1200	2-1	

1. Seastar I helms are the standard recommendation for both non-power and power steered applications.
2. Seastar II helms can be specified for power steered applications where faster steering response is desired. Review the application chart on page 4-3 for recommendations.
3. * **For Seastar I systems:** use 3/8" dia nylon tubing ref part No. HT5_ _ (Refer to page 10-6)

- * **For Seastar II systems:** Use the following option **A** or **B**
- A) Outboard hose:**
Hoses must be ordered in standard lengths. They cannot be cut to length. (Refer to page 10-2)
- B) Copper tube:**
3/8" diameter copper tube and hose kit part No. HF5508 (Refer to page 10-6)
4. For dual stern drives – use the tie bar supplied by the engine manufacturer.

NOTICE

These recommendations apply to factory stock stern drives only. Modified installations may require a higher capacity steering system. If in doubt, contact our technical service for assistance.

Application Guide

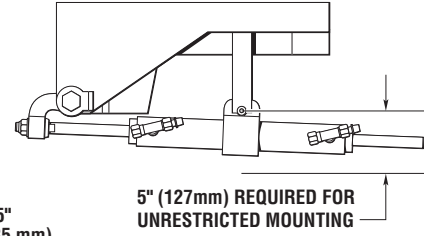
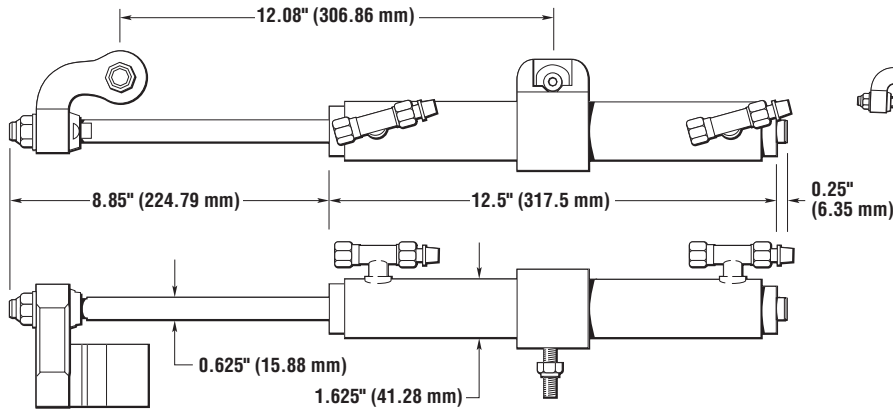
ENGINE MANUFACTURER	STEERING CONFIGURATION	ENGINE/DRIVE DESCRIPTION	YEAR	CYLINDER DESCRIPTION		NUMBER TURNS LOCK TO LOCK		NOTES
				MODEL No.	PART No.	SEASTAR I HELM	SEASTAR II HELM	
BMW	NON POWER ASSIST	ALL	TO DATE	BA125-8EMV	HC5330	4.9	N/A	1
	POWER ASSIST	ALL	TO DATE	125-8EM	HC5328	4.9/5.8	3.4/4.1	2
MERCUISER	NON POWER ASSIST	MERCUISER 1	1983 & PRIOR	BA125-8EMV	HC5330	4.9	N/A	1,7
		ALPHA I	1984 TO DATE	BA135-7EM	HC5332	5.0	3.5	1,5,6,7
		BRAVO I	1984 TO DATE	BA135-7EM	HC5332	5.0	3.5	1,5,6,7
		BRAVO II	1984 TO DATE	BA135-7EM	HC5332	5.0	3.5	1,5,6,7
	BRAVO III	1984 TO DATE	BA135-7EM	HC5332	5.0	3.5	1,5,6,7	
	POWER ASSIST	MERCUISER I	1983 & PRIOR	125-8EM	HC5328	4.9/5.8	3.4/4.1	2
ALPHA I		1984 TO DATE	125-8EM	HC5328	4.9/5.8	3.4/4.1	2	
BRAVO I		1984 TO DATE	125-8EM	HC5328	4.9/5.8	3.4/4.1	2	
BRAVO II		1984 TO DATE	125-8EM	HC5328	4.9/5.8	3.4/4.1	2	
BRAVO III		1984 TO DATE	125-8EM	HC5328	4.9/5.8	3.4/4.1	2,8	
OMC	NON POWER ASSIST	400/800 SERIES	1985 & PRIOR	N/A	N/A	N/A	N/A	
		COBRA	1986 TO DATE	BA150-7EM	HC5326	6.0	N/A	1,4
		KING COBRA	1986 TO DATE	BA150-7EM	HC5326	6.0	N/A	1,4
	POWER ASSIST	400/800 SERIES	1985 & PRIOR	N/A	N/A	N/A	N/A	
COBRA		1986 TO DATE	125-8EM	HC5328	4.9/5.8	3.4/4.1	2	
KING COBRA	1986 TO DATE	125-8EM	HC5328	4.9/5.8	3.4/4.1	2		
VOLVO	NON POWER ASSIST	275	TO DATE	BA150-7ATM	HC5314	6.0	N/A	1,7
		280	TO DATE	BA135-7EM	HC5332	5.0	3.5	1,5,6,7
		290	TO DATE	BA135-7EM	HC5332	5.0	3.5	1,5,6,7
		DIESEL	TO DATE	BA135-7EM	HC5332	5.0	3.5	1,5,6,7
	POWER ASSIST	275	TO DATE	N/A	N/A	N/A	N/A	
		280	TO DATE	125-8EM	HC5328	4.8/5.8	3.4/4.1	2
		290	TO DATE	125-8EM	HC5328	4.8/5.8	3.4/4.1	2
		DIESEL	TO DATE	125-8VEM	HC5329	4.9/5.8	3.4/4.1	2
		32, DIESEL	1997 TO DATE	92-VPS	HC5331	4.8/5.5	3.4/4.1	2
		41-42, DIESEL	1992 TO DATE	92-VPS	HC5331	4.8/5.8	3.4/4.1	2
DPS & SX	1996 TO DATE	92-VPS	HC5331	4.8/5.5	3.4/4.1	2		
YAMAHA	NON POWER ASSIST	ALL	1989 TO DATE	N/A	N/A	N/A	N/A	
	POWER ASSIST	ALL	1989 TO 1992	125-8EM	HC5328	4.9/5.8	3.4/4.1	2

- Balanced system – ie: the number of turns lock to lock is equal port to starboard or vice-versa.
- Unbalanced system – ie: the number of turns lock to lock is not equal port to starboard or vice-versa.
- Requires additional clevis supplied by engine manufacturer. Reference Quicksilver part No. B98735A1. Refer to diagram on page 4-4.
- Requires cylinder rod end adapter HA5424 supplied by Teleflex Canada Limited Partnership. Refer to diagram on page 4-4.
- HC5332 replaces HC5326 as of January 2000.** If installing HC5326 additional clevis supplied by engine manufacturer required (part number B98735A1).
- The installation of the HC5332 sterndrive cylinder requires the use of SeaStar Outboard hose only. DO NOT use 3/8" copper or nylon tube.
- If engine outdrive is NOT equipped with a torque tab on the underside of the lower leg one must be installed to reduce prop torque.
- Yanmar Engines using the Bravo III drives require the use of cylinder HC5326.

REVISION DATE: JANUARY 12TH 2004

General Dimensions

HC5332 135-7EM

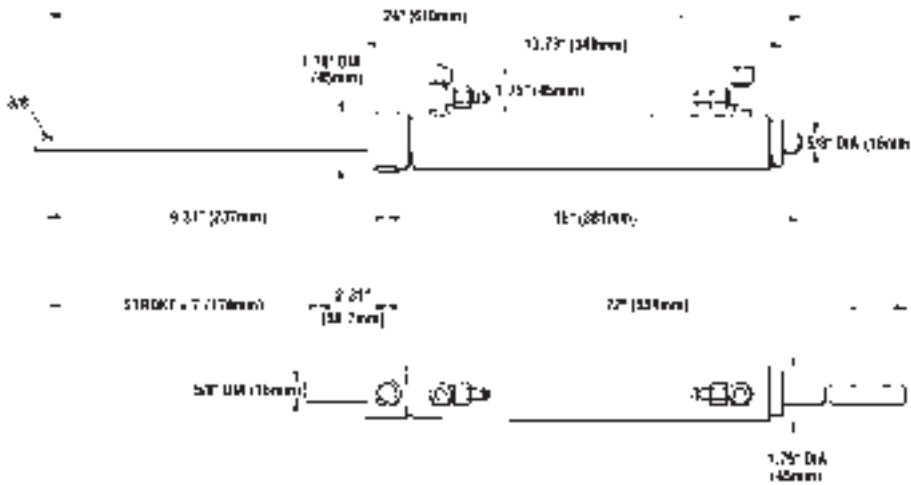


5" (127mm) REQUIRED FOR UNRESTRICTED MOUNTING

NOTICE

If engine outdrive is NOT equipped with a torque tab on the underside of the lower leg, one must be installed to reduce prop torque.

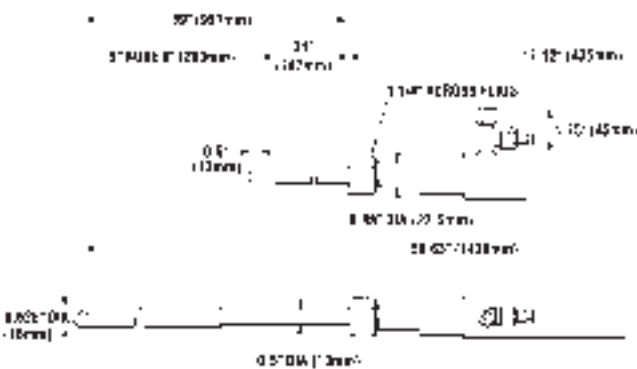
HC5326 BA150-7EM



CYLINDER CONNECTION DETAIL FOR MERCURY (QUICKSILVER PART #B98735A1)

CYLINDER CONNECTION DETAIL FOR OMC (PART #HA5424)

HC5328 125-8EM

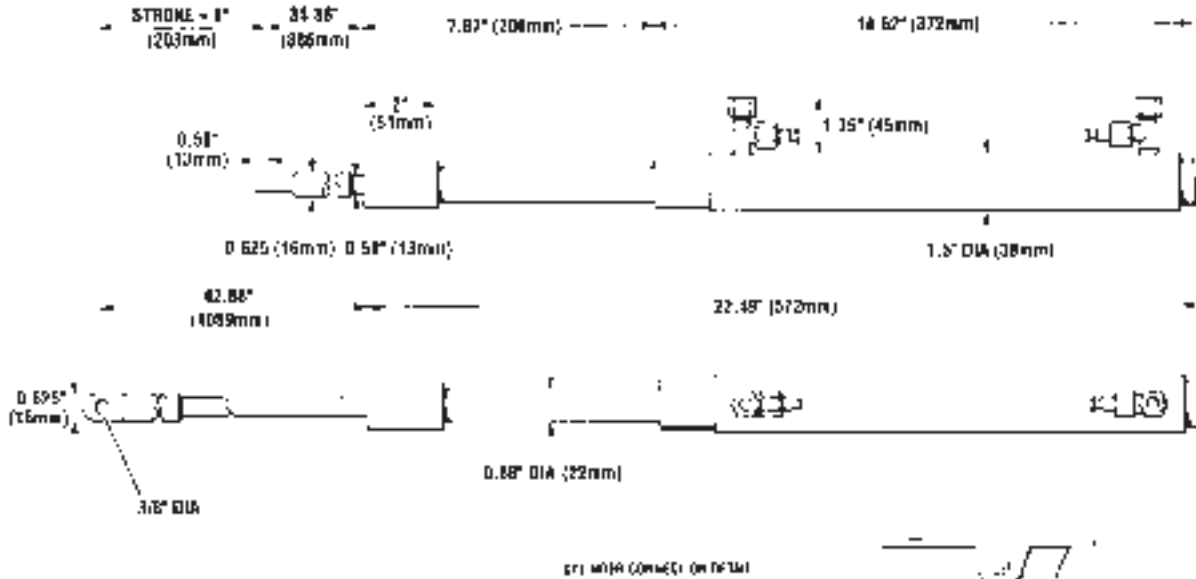


NOTICE

DO NOT use a PRO Helm pump with this, or any other unbalanced steering cylinder.

General Dimensions

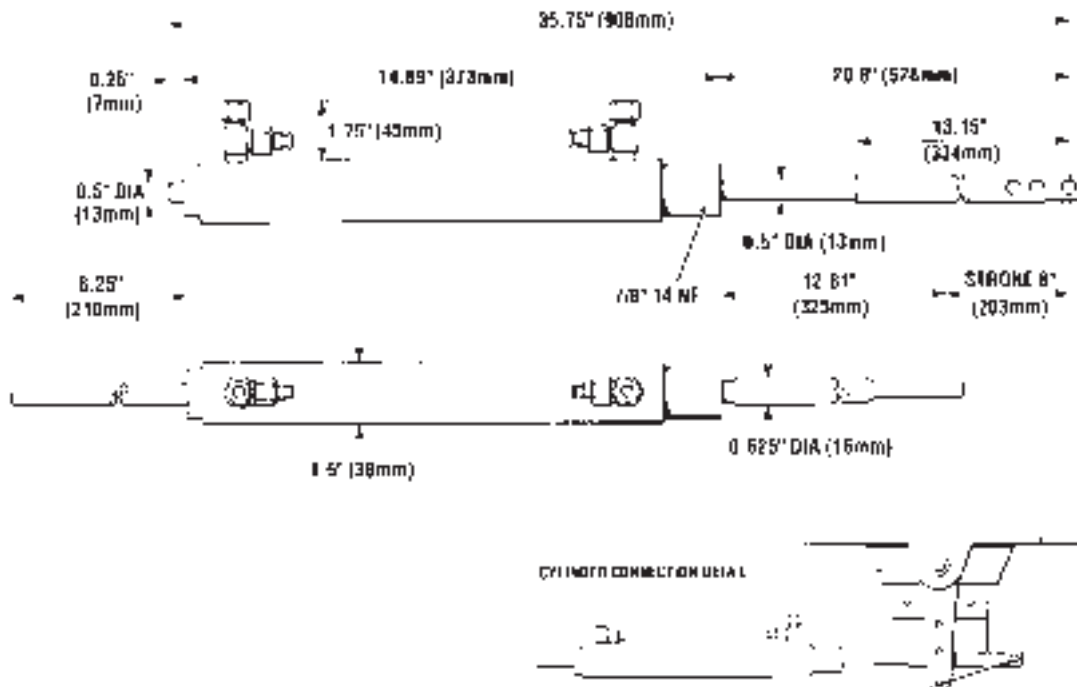
HC5329 125-8VEM



NOTICE

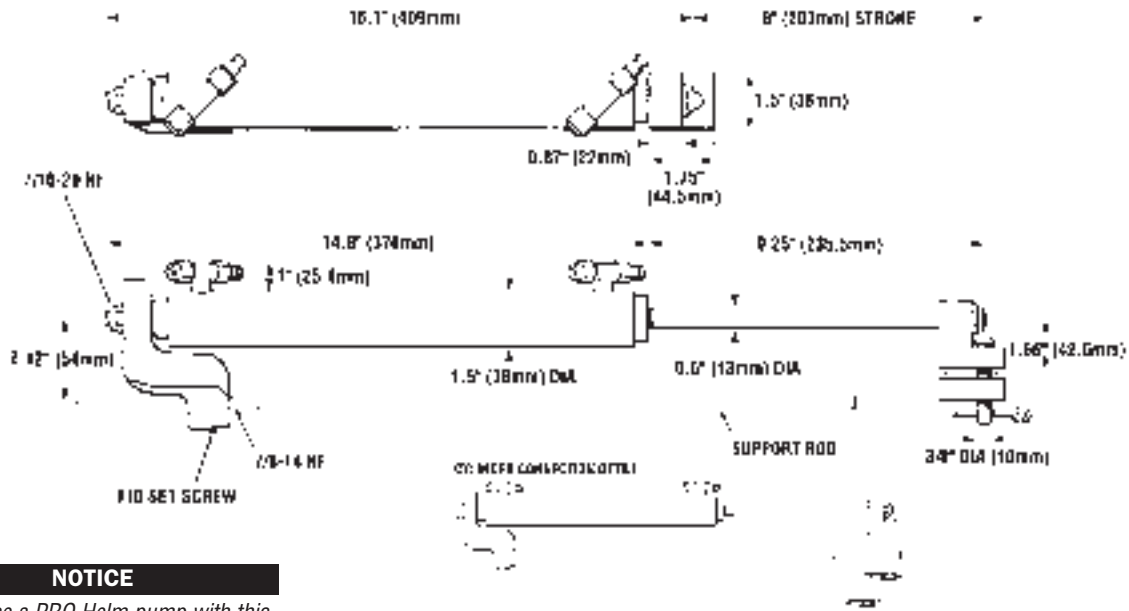
DO NOT use a PRO Helm pump with this, or any other unbalanced steering cylinder.

HC5330 BA125-8EMV



General Dimensions

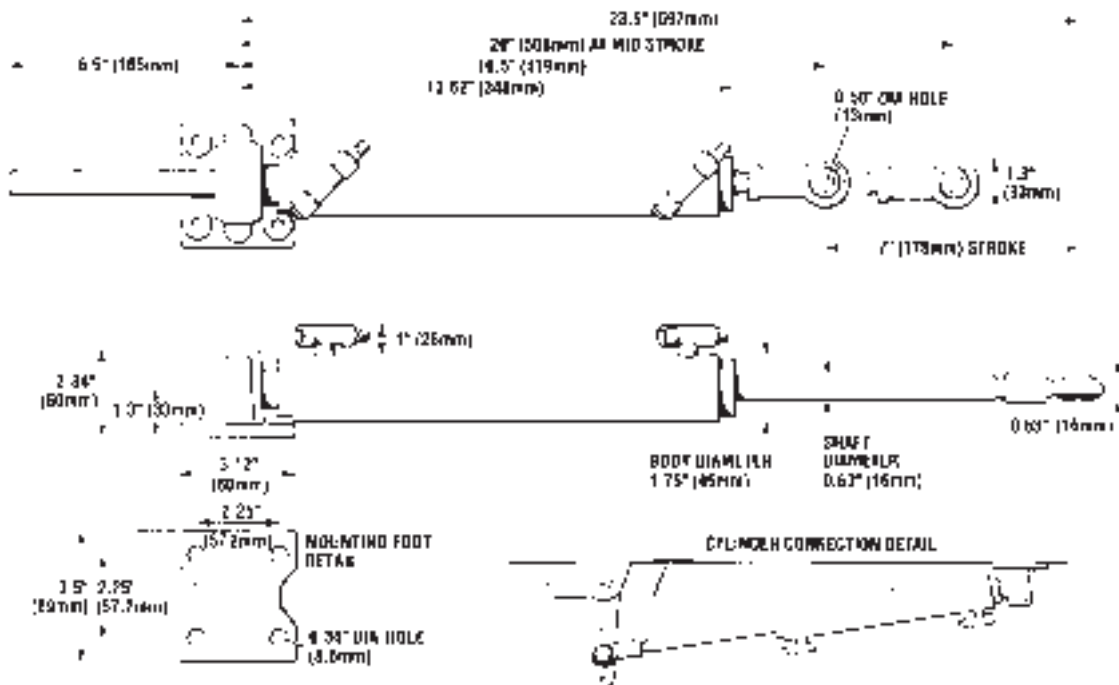
HC5331 92-VPS



NOTICE

DO NOT use a PRO Helm pump with this, or any other unbalanced steering cylinder.

HC5314 BA150-7ATM



Performance I/O and Outboard Cylinders

The K-5-B cylinder was designed for inboard/outboard boats requiring external cylinders of substantial size and strength. The K-5 cylinders are nickel plated for aesthetics and protection against the elements. This cylinder does not include the wing plates or hardware required for mounting to the outdrive. Porting is through two through-transom 1/4" NPT ports located at the mounting end of the cylinder.

NOTICE

Due to the large volume of the K-5-B Cylinders, it is suggested that only Capilano and/or Hynautic H-40 series helms be used to retain a comfortable yet reasonable amount of wheel turns from hard over to hard over.

K-5-B

20.75" (527mm) RETRACTED

15° SWIVEL MAX.

15° SWIVEL MAX.

4.5" (114mm)

2.7" (69mm)

20.12" (511mm) RETRACTED

0.875" (22.5mm)

BORE	STROKE	DISP EXT.	DISP RET.
1.5" (38mm)	9" (229mm)	15.9cu in	10.5cu in

NOTICE
K-5 Cylinders are UN-balanced Cylinders, unequal amount of fluid on either side of the piston.

NOTICE
DO NOT use a PRO Helm pump with this, or any other unbalanced steering cylinder.

NOTICE
Teleflex does NOT make connecting hardware to attach this cylinder to the out drive.

CHAPTER
5

Seastar[®]

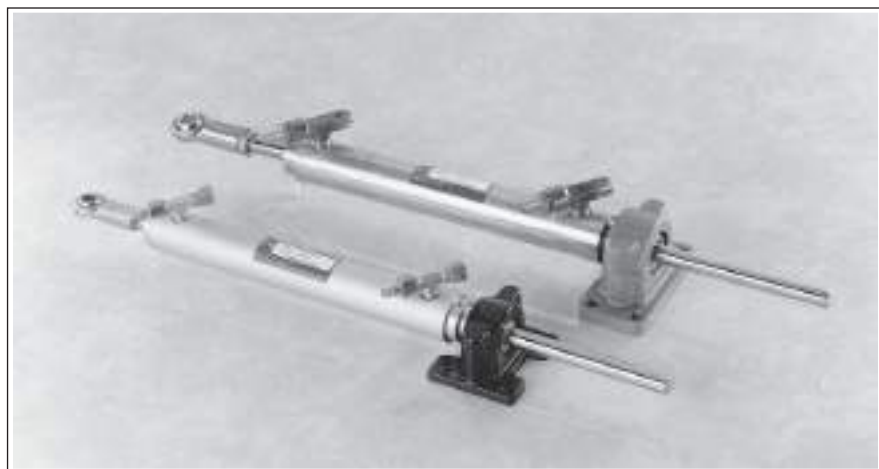
INBOARD STEERING

Features

- Regular duty aluminum cylinders.
- Heavy duty brass cylinders.
- Easy installation for single and dual rudder vessels.
- Cylinders supplied with bleeder fittings.
- Two axis articulation.
- Easy autopilot interface.

Four steps to select a steering system for an inboard powered boat

- 1) From the Application Guide on page 5-2 select the System Number appropriate for the vessel based on;
 - a) hull type - displacement or planing,
 - b) length of vessel,
 - c) number of rudders, and
 - d) usage of vessel.
- 2) From the Order Guide on page 5-2 select the appropriate helms and accessory hardware for each steering station.
- 3) From the Order Guide select the fitting and hose kits required for the installation.
- 4) Confirm that you have sufficient space available in;
 - a) the area the cylinder is to be mounted, and
 - b) the dash area for the steering components.



Application Guide

NOTICE

Want automotive type steering? Refer to page 2-1 for Power Assist Details.

BOAT LENGTH UP TO	PLANING HULL				DISPLACEMENT HULL				SAIL	
	SINGLE ENGINE		TWIN ENGINE		SINGLE ENGINE		TWIN ENGINE		SINGLE ENGINE	
	PLEASURE	WORK	PLEASURE	WORK	PLEASURE	WORK	PLEASURE	WORK	PLEASURE	WORK
26FT (8m)	1	4	1	4	2	4	2	4	4	4
32FT (10m)	2	4	1	4	3	4	3	4	4	4
38FT (11.5m)	3	5	2	5	5	5	3	5	4	5
44FT (13.5m)	5	-	3	5	-	-	5	-	5	-
50FT (15m)	-	-	5	-	-	-	-	-	-	-

a) Displacement Hull - maximum hull speed does not normally exceed 18 knots.
b) Planing Hull - maximum hull speed normally exceeds 18 knots.

ORDER GUIDE

COMPONENT DESCRIPTION	QTY REQ	MODEL	PART #	PAGE REF
1 4 TURNS LOCK TO LOCK				
HELM	1	* SEASTAR I- STANDARD	HH5271	9-6
CYLINDER	1	BA125 - 7ATM	HC5312-2	
OIL	3	SEASTAR OIL	HA5430	11-1
TUBE	1	3/8" DIA NYLON (NOTE 1 & 3)	HT5_ _	10-6
FOR EXTRA STEERING STATION ADD:				
HELM	1	* SEASTAR I- STANDARD	HH5271	9-6
FITTING KIT	1	ADD A STATION	HF5502	10-11
OIL	1	SEASTAR	HA5430	11-1
EXTRA TUBE		3/8" DIA NYLON (NOTE 1 & 3)		10-6

COMPONENT DESCRIPTION	QTY REQ	MODEL	PART #	PAGE REF
4 4-1/4 TURNS LOCK TO LOCK				
HELM	1	** SEASTAR II- STANDARD	HH5272	9-6
CYLINDER	1	BA150 - 7TM	HC5318	
OIL	3	SEASTAR OIL	HA5430	11-1
HOSE KIT	1	HOSE KIT	HF5508	10-12
COPPER TUBE		3/8" DIA.(NOTE 2 & 3)		10-6
FOR EXTRA STEERING STATION ADD:				
HELM	1	** SEASTAR II- STANDARD	HH5272	9-6
FITTING KIT	1	ADD A STATION	HF5502	10-11
OIL	1	SEASTAR	HA5430	11-1
EXTRA TUBE		AS ABOVE (NOTE 2 & 3)		10-6

COMPONENT DESCRIPTION	QTY REQ	MODEL	PART #	PAGE REF
2 5 TURNS LOCK TO LOCK				
HELM	1	* SEASTAR I- STANDARD	HH5271	9-6
CYLINDER	1	BA135 - 7ATM	HC5313	
OIL	3	SEASTAR OIL	HA5430	11-1
TUBE	1	3/8" DIA NYLON (NOTE 1 & 3)	HT5_ _	10-6
FOR EXTRA STEERING STATION ADD:				
HELM	1	* SEASTAR I- STANDARD	HH5271	9-6
FITTING KIT	1	ADD A STATION	HF5502	10-11
OIL	1	SEASTAR	HA5430	11-1
EXTRA TUBE		3/8" DIA NYLON (NOTE 1 & 3)		10-6

COMPONENT DESCRIPTION	QTY REQ	MODEL	PART #	PAGE REF
5 5-1/2 TURNS LOCK TO LOCK				
HELM	1	** SEASTAR II- STANDARD	HH5272	9-6
CYLINDER	1	BA175 - 7TM	HC5319	
OIL	3	SEASTAR OIL	HA5430	11-1
HOSE KIT	1	HOSE KIT	HF5508	10-12
COPPER TUBE		3/8" DIA.(NOTE 2 & 3)		10-6
FOR EXTRA STEERING STATION ADD:				
HELM	1	** SEASTAR II- STANDARD	HH5272	9-6
10-11 OIL	1	SEASTAR	HA5430	11-1
EXTRA TUBE		AS ABOVE (NOTE 2 & 3)		10-6

COMPONENT DESCRIPTION	QTY REQ	MODEL	PART #	PAGE REF
3 6 TURNS LOCK TO LOCK				
HELM	1	* SEASTAR I- STANDARD	HH5271	9-6
CYLINDER	1	BA150 - 7ATM	HC5314	
OIL	3	SEASTAR OIL	HA5430	11-1
TUBE	1	3/8" DIA NYLON (NOTE 1 & 3)	HT5_ _	10-6
FOR EXTRA STEERING STATION ADD:				
HELM	1	* SEASTAR I- STANDARD	HH5271	9-6
FITTING KIT	1	ADD A STATION	HF5502	10-11
OIL	1	SEASTAR	HA5430	11-1
EXTRA TUBE		3/8" DIA NYLON (NOTE 1 & 3)		10-6

OPTIONAL EQUIPMENT		
BACK PLATE KIT (FOR STANDARD HELMS)	HA5418	9-3
20 DEGREE WEDGE KIT (FOR STANDARD HELMS)	HA5419	9-3
AUTOPILOT FITTING KIT (FOR ALL HELMS)	HF5502	10-11
* TILT HELM-SEASTAR I	HH5741	9-7
REAR MOUNT HELM-SEASTAR I	HH5261	9-7
** TILT HELM-SEASTAR I	HH5742	9-7
REAR MOUNT HELM-SEASTAR I	HH5262	9-7
POWER ASSIST STEERING	PA1200	2-1

1. For systems 1, 2 & 3 - nylon tubing (3/8" dia.) is the standard requirement for plumbing the system. Copper tubing (3/8" dia.) can be substituted but Fitting Kit HF5507 is required. (Refer to page 10-12).

2. For systems 4 & 5 - copper tubing (3/8" dia.) is the standard requirement for plumbing the system. Fitting Kit HF5508 is required. (Refer to page 10-12).

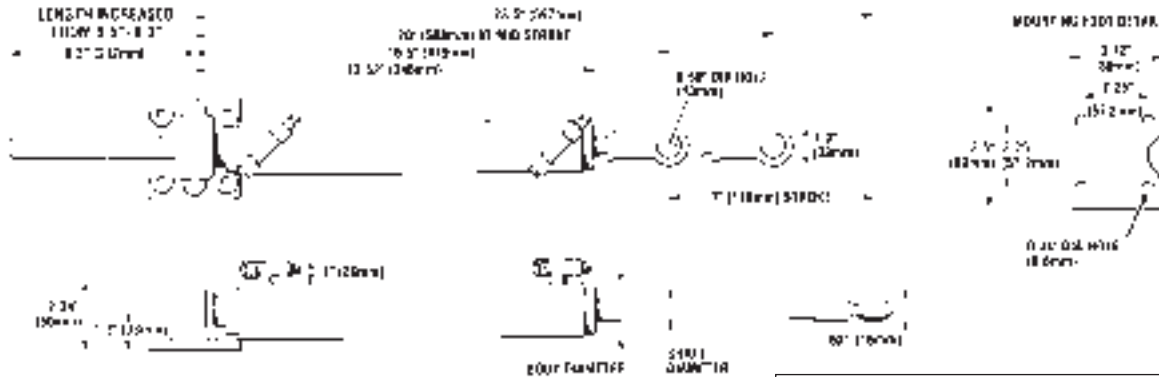
3. For systems 1, 2, 3, 4, & 5 Seastar outboard hose can be substituted for nylon or copper tube. These hoses must be ordered in standard lengths. They cannot be cut to length. (Refer to page 10-2).

NOTICE

If your vessel is beyond system 1 to 5, please go to page 7-1 for SeaStar Power Steering Systems.

General Dimensions—SeaStar

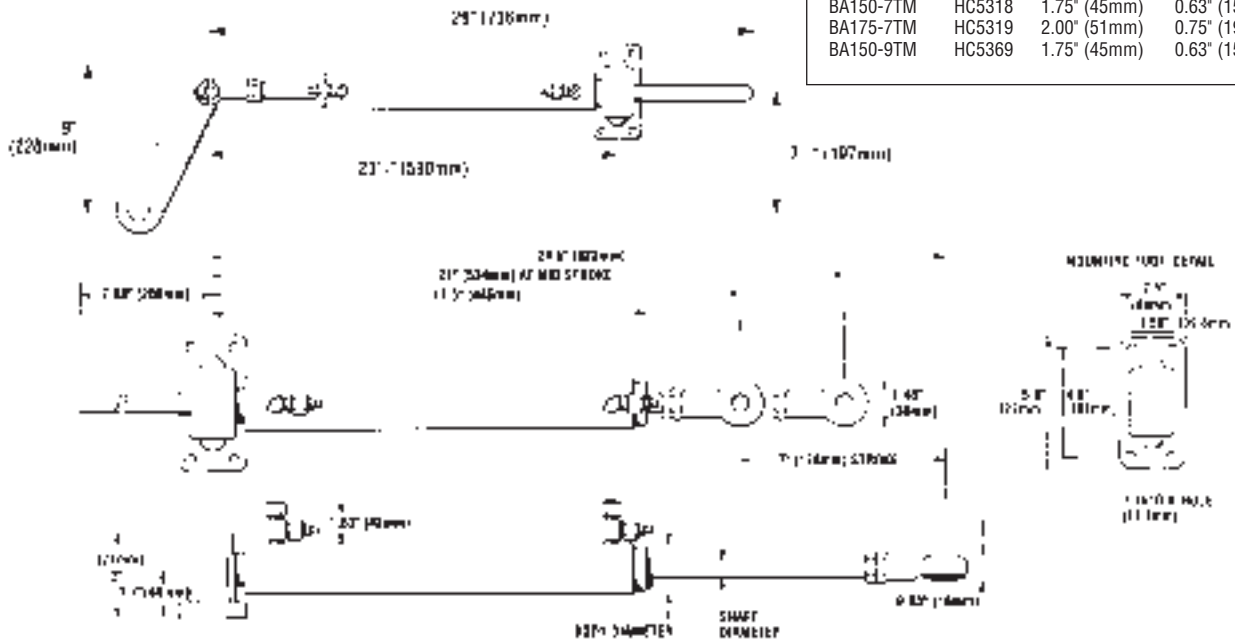
ATM CYLINDERS (ALUMINUM): HC5312-2/ HC5313/ HC5314



CYLINDER DIMENSIONS SPECIFIC TO MODEL

CYLINDER MODEL	PART #	BODY DIAMETER	SHAFT DIAMETER
BA125-7ATM	HC5312	1.38" (35mm)	0.50" (12.7mm)
BA135-7ATM	HC5313	1.50" (38mm)	0.63" (15.9mm)
BA150-7ATM	HC5314	1.75" (45mm)	0.63" (15.9mm)
BA150-7TM	HC5318	1.75" (45mm)	0.63" (15.9mm)
BA175-7TM	HC5319	2.00" (51mm)	0.75" (19.1mm)
BA150-9TM	HC5369	1.75" (45mm)	0.63" (15.9mm)

TM CYLINDERS (BRASS): HC5318/ HC5319/HC5369



CYLINDER MOUNTING CONFIGURATIONS

MOUNTING CONFIGURATION DIMENSIONS

CYLINDER MODEL	PART #	A	B	C
BA125-7ATM	HC5312	20" (508)	6.5" (165)	8.5" (216)
BA135-7ATM	HC5313	20" (508)	6.5" (165)	8.5" (216)
BA150-7ATM	HC5314	20" (508)	6.5" (165)	8.5" (216)
BA150-7TM	HC5318	21" (534)	8" (204)	10" (254)
BA175-7TM	HC5319	21" (534)	8" (204)	10" (254)
BA150-9TM	HC5369	21" (534)	8" (204)	10" (254)

Figures in parenthesis are in millimetres

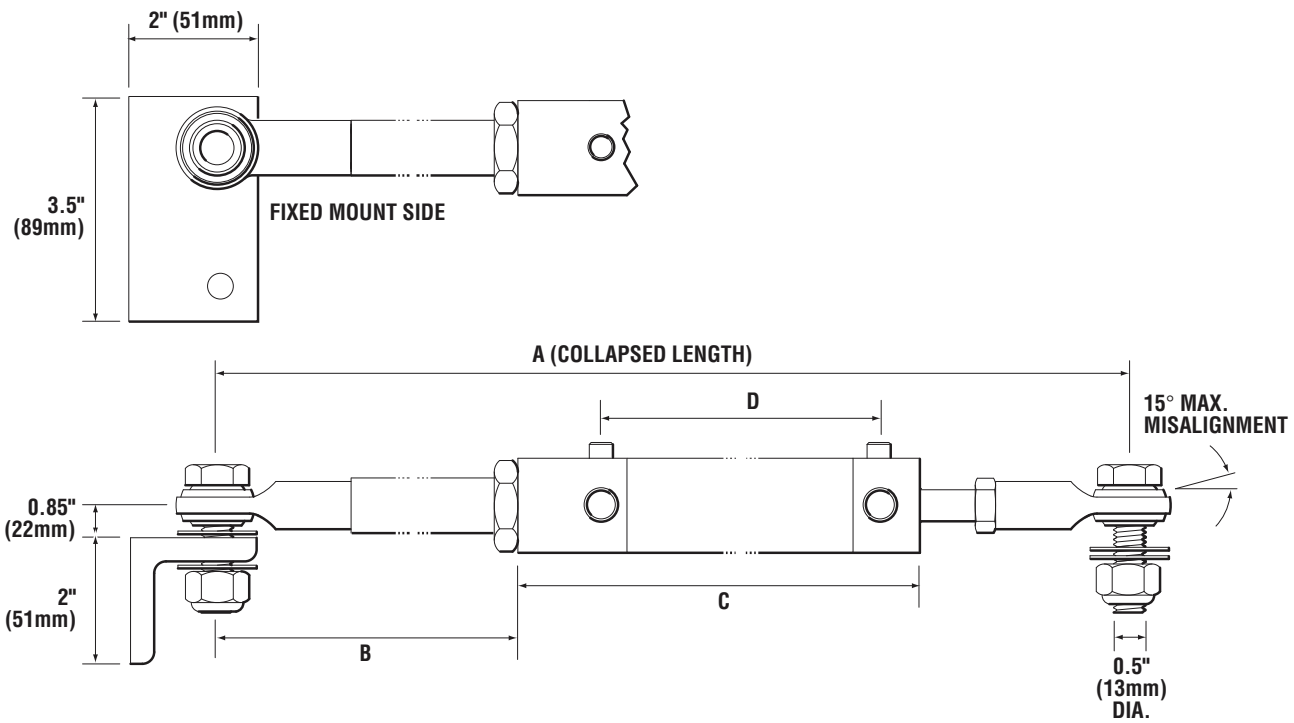


General Dimensions—Hynautic

Universal Mount Cylinders K-18/K-19

The K-18 and K-19 balanced cylinders are double rod ended, each end held in place with internal wire ties. Every cylinder is equipped with a swivel joint at each end. One provides for a fixed mount attachment point at the end of the housing to protect the moving rod. The other swivel joint, located at the rod end, allows for free movement of the cylinder without binding when attached to the rudder arm.

K-18 & K-19



CYL MODEL	DIMENSIONS				BORE	STROKE	DISP
	A	B	C	D			
K-18	24.5" (662mm)	9.31" (237mm)	11.75" (299mm)	9.875" (251mm)	1.25" (32mm)	7" (178mm)	7cu in
K-19	28.5" (724mm)	11.31" (287mm)	13.75" (350mm)	11.875" (302mm)	1.25" (32mm)	9" (229mm)	9cu in

Above cylinders can be used on the following boats:

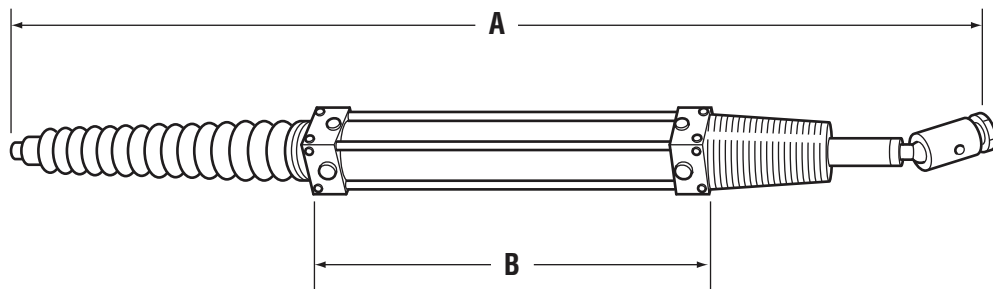
K-18 = ALL System #1 as noted on page 5-2.

K-19 = ALL Systems #1 through #3 as noted on page 5-2.

**Fixed Mount and Pivot Mount models:
K-22, K-27 and K-31**

These Brass cylinders are for larger boats up to approximately 70 ft. Tubes, ends, and external rods are brass: cylinder rods are 17-4 stainless steel: mounts are manganese bronze. There are two different types of mounting packages for Brass cylinders: fixed mount and pivot mount.

K-22 & K-27

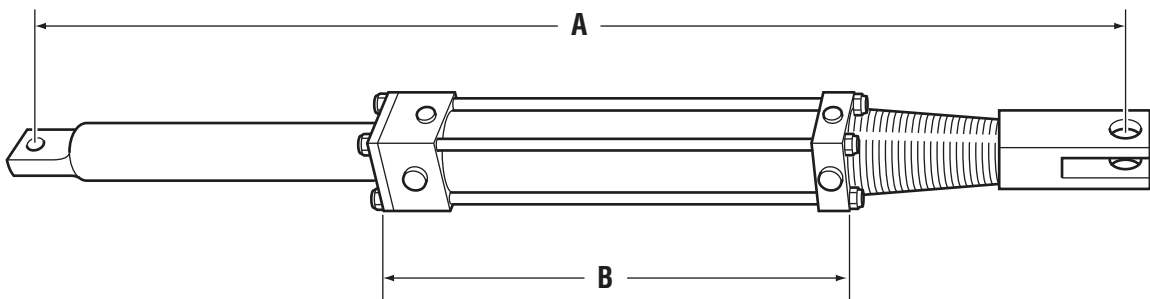


CYL MODEL	DIMENSIONS		BORE	STROKE	DISP
	A	B			
K-22	*34.12" (867mm)	13.25" (337mm)	1.5" (38mm)	10" (254mm)	13.20cu in
K-27	*36.75" (934mm)	13.25" (337mm)	1.5" (38mm)	10" (254mm)	13.20cu in

**Dimensions are with the cylinder rod centered.*

For use in Systems #3 through #4 as noted on page page 5-2.

K-31



CYL MODEL	DIMENSIONS		BORE	STROKE	DISP
	A	B			
K-31	*38.37" (975mm)	14.12" (359mm)	2.0" (51mm)	10" (254mm)	25.5cu in

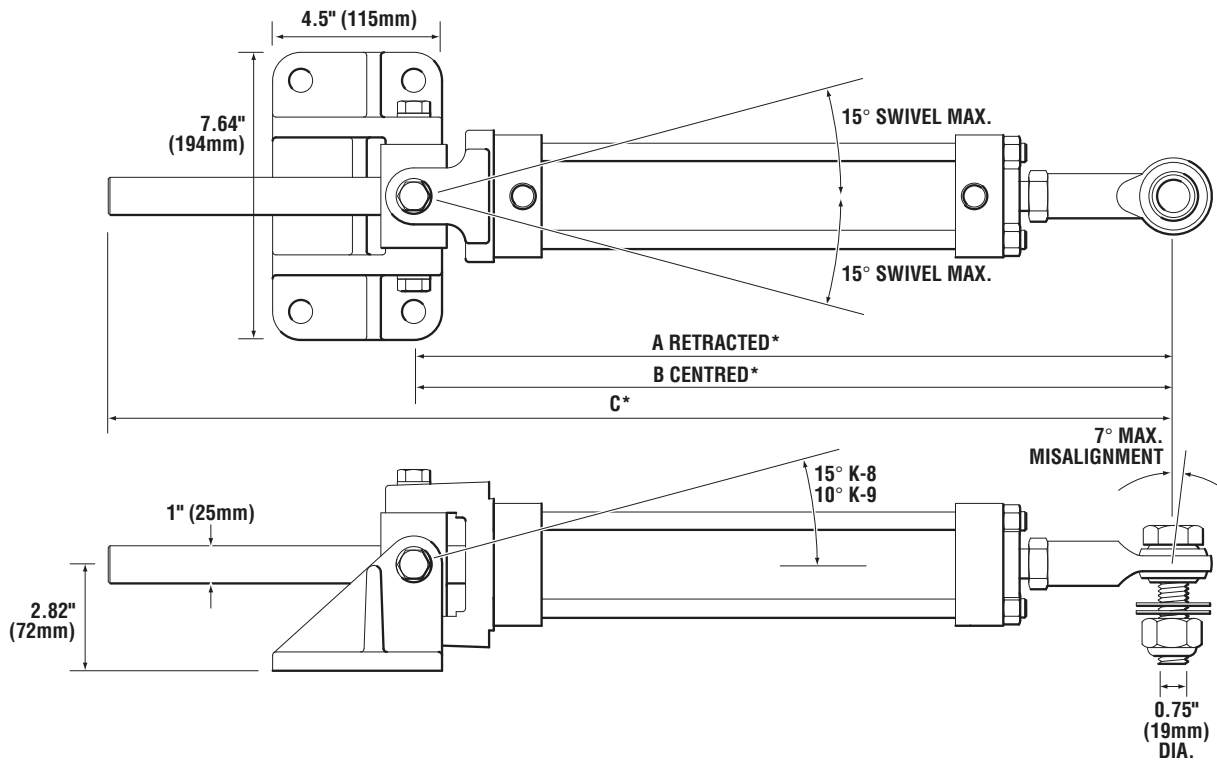
**Dimensions are with the cylinder rod centered.*

For use in System #5 as noted on page 5-2.

Large I/B Cylinders K-8/K-9

The K-8 and K-9 cylinders are double rod end, tie rod constructed hydraulic cylinders. Each has a universal mount, which allows two planes of pivot freedom. Each cylinder is equipped with a stainless steel ball joint. Porting is through two 1/4" NPT ports at each end of the cylinder.

K-8 & K-9



CYL MODEL	DIMENSIONS			BORE	STROKE	DISP
	A*	B*	C*			
K-8	19.74" (502mm)	24.47" (622mm)	27.92" (710mm)	2.5" (64mm)	9.5" (242mm)	39.2cu in
K-9	24.74" (629mm)	31.99" (813mm)	37.92" (962mm)	2.5" (64mm)	14.5" (369mm)	59.8cu in

* Clevis option increases length by 0.44" (12mm)

CHAPTER
6

Hynautic

HYNAUTIC 3-LINE INBOARD STEERING

Introduction

SeaStar offers rugged 3-line Hynautic Heavy Duty steering systems for most work and pleasure vessels up to 70 feet.

Heavy Duty helms combine one or two bi-directional axial piston pumps with pilot check and make-up check valving. The result is a unit which prevents rudder feedback, is very efficient (even at low RPM), and is immediately adaptable to multi-station use.

A wide choice of helm displacements and cylinder configurations make it easy to spec a system which can handle a variety of large boat performance requirements and accommodate most user preferences.

Features

- Low friction heavy duty hydraulic steering.
- Helm/cylinder combinations for most inboards. Marine grade materials.
- Heavy duty helms available in three displacements, to accommodate most applications and user preferences.
- Helms available with 1" straight shaft or 3/4" tapered. Mount facing any direction.
- Quick air purge relief valve.
- Fluid fill at remote reservoir.
- Heavy duty brass cylinders. Two-axis articulation. Easy installation for single or dual rudder vessels.
- Meets or exceeds applicable standards.
- Accepts most steering wheels.

How to Spec a System

- 1** From the application guide select components appropriate for the vessel based on:
 - a) hull type—displacement or planing
 - b) length of vessel, and
 - d) number of steering wheel turns desired
- 2** Select the fitting and hose kits required, based on type of plumbing (1/2" or 5/8" tubing or hose) and based on number of steering stations.
- 3** Confirm that there is sufficient space available in the dash and engine compartment(s) for the steering components. Refer to helm and cylinder dimensions on page 9-8 and page 5-4.

Components

H-21	Hynautic 2.75 cu. in. helm (1" straight shaft) or
H-25	Hynautic 2.75 cu. in. helm (3/4" tapered shaft) or
H-42	Hynautic 4.0 cu. in. helm (1" straight shaft) or
H-42-02	Hynautic 4.0 cu. in. helm (3/4" tapered shaft) or
H-41	Hynautic 5.5 cu. in. helm (1" straight shaft) or
H-41-02	Hynautic 5.5 cu. in. helm (3/4" tapered shaft) or <i>(See application guide page 6-3.)</i>
HF-10	H-20 Fittings Kit for Main Station
HF-21	H-40 Fittings Kit for Main Station
HC53__ or K-__	Inboard Cylinder <i>(See application guide page 6-3. 1 or 2 required.)</i>
R06	Reservoir - Standard (2 quart)
MSV-21	Relief Valve (950 PSI)
MSVF-07	Relief Fittings (1150 & 1175-21-1)
MSVF-13	Relief Fittings (1175-42-1 & up)
1/2" or 5/8" OD Copper Tubing	<i>(See application guide page 6-3.)</i>
HF5590	Fitting Kit (for 1/2" Copper Tubing) or
HF5592	Fitting Kit (for 5/8" Copper Tubing) <i>(See application guide page 6-3. These fitting kits are for one steering station, purchase add-a-station kit for 2nd station.)</i>
HA5731	Hose Kit for Copper Tubing (2 hoses) <i>Contains two 18" (.45m) hoses for single-cylinder installations.</i>
HA5440	SeaStar Oil (1 Gallon) <i>(Other fittings may be required. Contact Teleflex Canada.)</i>

Options

K-31	Pivot Mount Inboard Cylinder <i>(K-31 can be used in place of HC5378 or HC5379, see application chart page 6-3 for details.)</i>
HA5732	Dual Cylinder Hose 2' (.6m)
HA5733	Dual Cylinder Hose 3' (.9m)
HA5734	Dual Cylinder Hose 4' (1.2m)
HA5735	Dual Cylinder Hose 5' (1.5m)
HA5736	Dual Cylinder Hose 6' (1.8m) <i>These hoses are sold individually (four are required for dual cylinder installations).</i>
R07	Reservoir (2 quart, with hand pump)
R11	Reservoir (1 quart, with hand pump)
R12	Reservoir (2 quart)
MSV-19	Relief Valve (500 PSI)
RV-55	Reservale (500 PSI, top read, 3/8)
RV-55P	Reservale (500 PSI, top read, 3/8, w/pump)
RV-57	Reservale (500 PSI, top read, 5/16, w/pump)
RV-60	Reservale (950 PSI, top read, 5/16)
RV-67	Reservale (950 PSI, frt.read, 5/16, w/pump)
HF-11	H-20 Fittings Kit for Second Station
HF-22	H-40 Fittings Kit for Second Station

Hynautic 3-Line Inboard Steering Application Guide

VESSEL SIZE	HELM PUMP	WHEEL TURNS	CYLINDER MODEL	TUBING DIAMETER		MAX HP or AREA
				CYL. TO FARTHEST HELM <40'	>40'	
Planing Hulls:						
35–50' (11–15m)	H-21 or H-25	5.0	HC5350 or HC5356	1/2"	5/8"	450 HP
40–50' (12–15m)	H-21 or H-25	6.8	HC5351 or HC5357	1/2"	5/8"	750 HP
40–50' (12–15m)	H-42	4.7	HC5351 or HC5357	1/2"	5/8"	750 HP
45–60' (14–18m)	H-42	7.4	HC5378 or HC5379	1/2"	5/8"	950 HP
45–60' (14–18m)	H-41	5.4	HC5378 or HC5379	1/2"	5/8"	950 HP
55–65' (17–20m)	H-41	5.4	HC5378 or HC5379	1/2"	5/8"	1200 HP
To 70' (To 21m)	H-41	10.8	2 x HC5378 or HC5379	1/2"	5/8"	1500 HP
To 70' (To 21m)	H-41	14.2	2 x K-8	1/2"	5/8"	1500 HP
Displacement Hulls—Tug Boats, Net Haulers:						
To 30' (To 9m)	H-21 or H-25	5.0	HC5350 or HC5356	1/2"	5/8"	200 HP
30–35' (9–11m)	H-21 or H-25	6.8	HC5351 or HC5357	1/2"	5/8"	250 HP
30–35' (9–11m)	H-42	4.7	HC5351 or HC5357	1/2"	5/8"	250 HP
26–40' (8–12m)	H-42	7.4	HC5378 or HC5379	1/2"	5/8"	400 HP
26–40' (8–12m)	H-41	5.4	HC5378 or HC5379	1/2"	5/8"	400 HP
30–45' (9–14m)	H-41	5.4	HC5378 or HC5379	1/2"	5/8"	150 HP
To 50' (To 15m)	H-41	10.8	2 x HC5378 or HC5379	1/2"	5/8"	500 HP
To 50' (To 15m)	H-41	14.2	2 x K-8	1/2"	5/8"	500 HP
To 50' (To 15m)	H-41	20.0	2 x K-9	1/2"	5/8"	500 HP
Displacement Hulls—Work and Pleasure Boats:						
To 40' (To 12m)	H-21 or H-25	5.0	HC5350 or HC5356	1/2"	5/8"	300 HP
40–45' (12–14m)	H-21 or H-25	6.8	HC5351 or HC5357	1/2"	5/8"	350 HP
40–45' (12–14m)	H-42	4.7	HC5351 or HC5357	1/2"	5/8"	350 HP
40–55' (12–17m)	H-42	7.4	HC5378 or HC5379	1/2"	5/8"	500 HP
40–55' (12–17m)	H-41	5.4	HC5378 or HC5379	1/2"	5/8"	500 HP
45–65' (14–20m)	H-41	5.4	HC5378 or HC5379	1/2"	5/8"	650 HP
To 75' (To 32m)	H-41	10.8	2 x HC5378 or HC5379	1/2"	5/8"	750 HP
To 75' (To 32m)	H-41	14.2	2 x K-8	1/2"	5/8"	750 HP
Sail Boats—Skeg Rudder:						
To 40' (To 12m)	H-21 or H-25	5.0	HC5350 or HC5356	1/2"	5/8"	9' (.9m)
40–45' (12–14m)	H-21 or H-25	6.8	HC5351 or HC5357	1/2"	5/8"	10' (1m)
40–45' (12–14m)	H-42	4.7	HC5351 or HC5357	1/2"	5/8"	10' (1m)
40–52' (12–16m)	H-42	7.4	HC5378 or HC5379	1/2"	5/8"	17' (1.6m)
40–52' (12–16m)	H-41	5.4	HC5378 or HC5379	1/2"	5/8"	17' (1.6m)
50–60' (15–18m)	H-41	5.4	HC5378 or HC5379	1/2"	5/8"	18' (1.7m)
To 65' (To 20m)	H-41	10.8	2 x HC5378 or HC5379	1/2"	5/8"	20' (1.9m)
To 65' (To 20m)	H-41	14.2	2 x K-8	1/2"	5/8"	20' (1.9m)
Sail Boats—Spade Rudder:						
To 40' (To 12m)	H-21 or H-25	5.0	HC5350 or HC5356	1/2"	5/8"	7' (.6m)
40–45' (12–14m)	H-21 or H-25	6.8	HC5351 or HC5357	1/2"	5/8"	8' (.7m)
40–45' (12–14m)	H-42	4.7	HC5351 or HC5357	1/2"	5/8"	8' (.7m)
35–46' (11–14m)	H-42	7.4	HC5378 or HC5379	1/2"	5/8"	15' (1.4m)
35–46' (11–14m)	H-41	5.4	HC5378 or HC5379	1/2"	5/8"	15' (1.4m)
40–50' (12–15m)	H-41	5.4	HC5378 or HC5379	1/2"	5/8"	15.5' (1.4m)
To 60' (To 18m)	H-41	10.8	2 x HC5378 or HC5379	1/2"	5/8"	16.5' (1.5m)
To 60' (To 18m)	H-41	14.2	2 x K-8	1/2"	5/8"	16.5' (1.5m)

Helm Options

Four helms are offered in 3 displacements, as noted in the chart at right. The H-21 helm has a 1" straight wheel shaft; H-25 has a 3/4" tapered shaft. The H-42 and H-41 helms both have a 1" straight wheel shaft.

HELM PART#	DISPLACEMENT RANGE	RELIEF VALVE SETTING
H-21	2.75 cu.in.	950 psi (66Bar)
H-25	2.75 cu.in.	950 psi (66Bar)
H-42	4.00 cu.in.	950 psi (66Bar)
H-41	5.50 cu.in.	950 psi (66Bar)

Tubing/Hose Options

Use soft refrigeration type copper tubing for optimum performance. For tube-to-cylinder flex hoses, select a hydraulic hose rated for 1000 PSI (70 bar) working pressure, and with a very low volumetric expansion rating.

HELM TYPE	DISTANCE—CYLINDER TO FURTHEST HELM	
	40 FEET OR LESS	MORE THAN 40 FEET
All	1/2" O.D. Copper Tubing	5/8" O.D. Copper Tubing

Cylinder Options

Cylinders are made from brass & stainless steel. Available with stainless rod & ball joint (TMB models) or stainless rod & bronze clevis (TMC models.) Cylinders with ball joints have 2-axis articulation.

The K-31 is an optional pivot mount cylinder which can be used in the systems numbered "8a" and "8b" on the opposite page. With this cylinder, the number of wheel turns becomes 6.4 (using the H-42 helm) or 4.6 (H-41 helm).

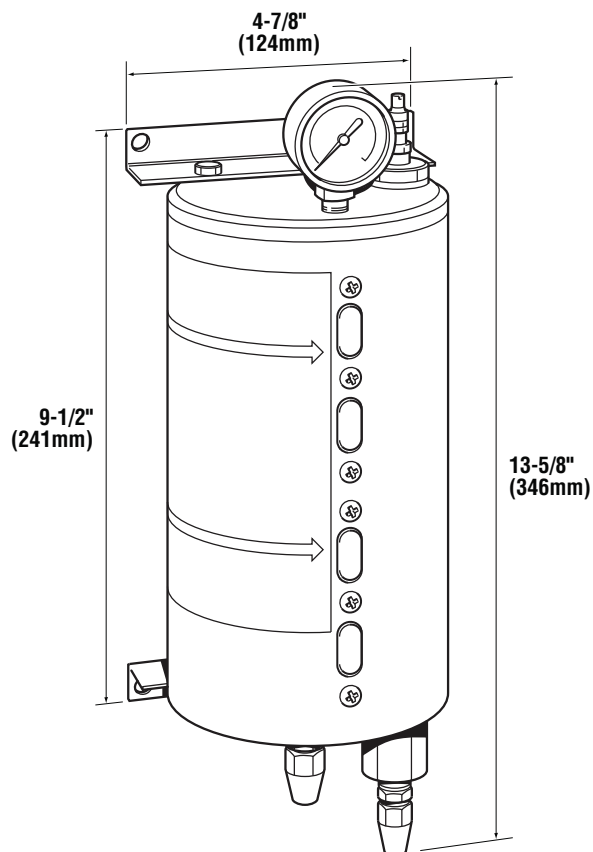
MODEL	PART#	DESCRIPTION / MODEL / ROD END CONFIG
7" Stroke:	HC5350	Cylinder BA175-7TMB (Rod End Ball Joint)
	HC5356	Cylinder BA175-7TMC (Rod End Clevis)
	HC5351	Cylinder BA200-7TMB (Rod End Ball Joint)
	HC5357	Cylinder BA200-7TMC (Rod End Clevis)
9.5" Stroke:	K-8	Hynautic Cylinder, 2.5" (Rod End Ball Joint)
11" Stroke:	HC5378	Cylinder BA200-11TMB (Rod End Ball Joint)
	HC5379	Cylinder BA200-11TMC (Rod End Ball Clevis)

NOTICE

The application guide on page 6-3 should be used with discretion. The chart is only a guide to selecting a steering system. A steering system manufacturer cannot anticipate all the variables in boat-rudder design that affect the steering loads. It is the final responsibility of the boat builder/designer to specify maximum expected steering loads. If the required information is not available, please see the Displacement and Planning Hull data sheets on page 10-21 and page 10-22. These sheets after being completely filled out can be faxed to Teleflex Technical Support at 604-279-2202.

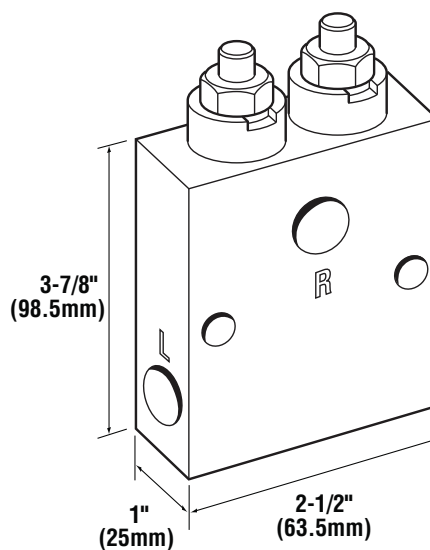
Reservoir Part# R-06

Capacity = 2 quarts.



Relief Valve Part# MSV-21

Relief Pressure factory set to 950psi.



Hynautic Seal Kits

Helms

SEAL KIT#	DESCRIPTION
HS-01	H-20 Series Helms, 1978 and earlier
HS-02	H-20 and H-30 Series Helms, 1979 and later
HS-03	H-40 Series Helms, 1978 and earlier
HS-04	H-40 Series Helms, 1979 and later
HS-05	H-50 Series Helms
HS-06	H-60 Series Helms
HS-08	H-80 Series Helms, before date code 8000
HS-09	H-80 Series Helms, after date code 8000
HS-10	H-100 and H-200 Series Helm Pumps

Cylinders

SEAL KIT#	DESCRIPTION
KS-01	K-11 thru K-17
KS-02	K-18 thru K-20
KS-03	K-02, H1010 (old style)
KS-04	K-21 thru K-29 (prior to Aug. 1983)
KS-05	K-31 thru K-33
KS-06	K-21 thru K-29 (after Aug. 1983)
KS-07	K-10
KS-08	K-07
KS-09	K-08, K-09 (prior to April 15, 1994)
KS-11	K-01, PSK-10
KS-12	K-02
KS-13	K-03, K-04, PSK-11, PSK-12 (prior to April 15, 1994)
KS-14	K-51
KS-15	K-05
KS-17	K-03, K-04, PSK-11, PSK-12 (after April 15, 1994)
KS-18	K-08, K-09 (after April 15, 1994)
KS-19	K-06 Models

Reservoirs

SEAL KIT#	DESCRIPTION
RS-01	R-04, R-10, R-13, R-14

Crossover Hynautic to SeaStar Steering

To review Advisory Notices, please view on line at www.seastarsteering.com or contact Teleflex Canada Limited Partnership directly at 604-270-6899.

Cylinders	HYNAUTIC CYLINDER	REPLACED WITH SEASTAR PART#	ADVISORY NOTICE#
	K-51	HC5314HY	764626
	K-1-B/C	HC5369HY/HYC	764624
	K-2-B/C	HC5373HY/HYC	764625
	K-3-B/C	HC5802HY/HYC	764615
	K-4-B/C	HC5378HY/HYC	764616
	K-10	HC5345HY	764612
	K-11, K-11S, K-12	HC5380HY	764613
	K-13, K-14	HC5370HY	764614

Helm Cross Over H-800 Series	HYNAUTIC#	SEASTAR#	ADVISORY NOTICE#
	H-816	HH5271	764622
	H-820	HH5273	764622
	H-824	HH5272	764622

BH-800 Series	HYNAUTIC#	SEASTAR#	ADVISORY NOTICE#
	BH-816	HH5779	764617 Hose MUST be replaced
	BH-820	HH5770	764617 Hose MUST be replaced
	BH-824	HH5772	764617 Hose MUST be replaced

H-100 Series	HYNAUTIC#	SEASTAR#	ADVISORY NOTICE#
	H-116	HH5260	764618
	H-120	HH5261	764618
	H-124	HH5262	764618

H-200 Series	HYNAUTIC#	SEASTAR#	ADVISORY NOTICE#
	BH-216	HH5741	764619
	BH-220	HH5743	764619
	BH-224	HH5742	764619

H-300 Series	HYNAUTIC#	SEASTAR#	ADVISORY NOTICE#
	H-316	HH5271	764621
	H-320	HH5273	764621
	H-324	HH5272	764621

H-50 Series	HYNAUTIC#	SEASTAR#	ADVISORY NOTICE#
	BH-50	HH5273	764623
	BH-51	HH5272	764623
	BH-52	HH5271	764623

Hydraulic Kits	HYNAUTIC#	SEASTAR#	ADVISORY NOTICE#
	KF-100	H05035 Single H05038A Single	764633
	All Hynautic Hose/Tube	H051XX Hose HT5XXX Tube	764632
	All Hynautic Steering Kits	Misc. SeaStar Items	764631
	All Hynautic Hose/Tube	SeaStar Power Steering System	764630

Syten Hydraulic Steering (Obsolete).

NOTICE

The Syten components were produced up until late 1984 when they were replaced by the SeaStar Steering systems. Teleflex Canada Limited Partnership no longer stocks any replacement parts, fittings or seal kits for this steering system or any component of this system.

NOTICE

Replacing or upgrading from a Syten inboard steering system to SeaStar Components.

Helms: The Syten helm pump should be replaced with the current model SeaStar Helm Pump HH5271 and Back mount kit HA5418. This should be done at each helm station.

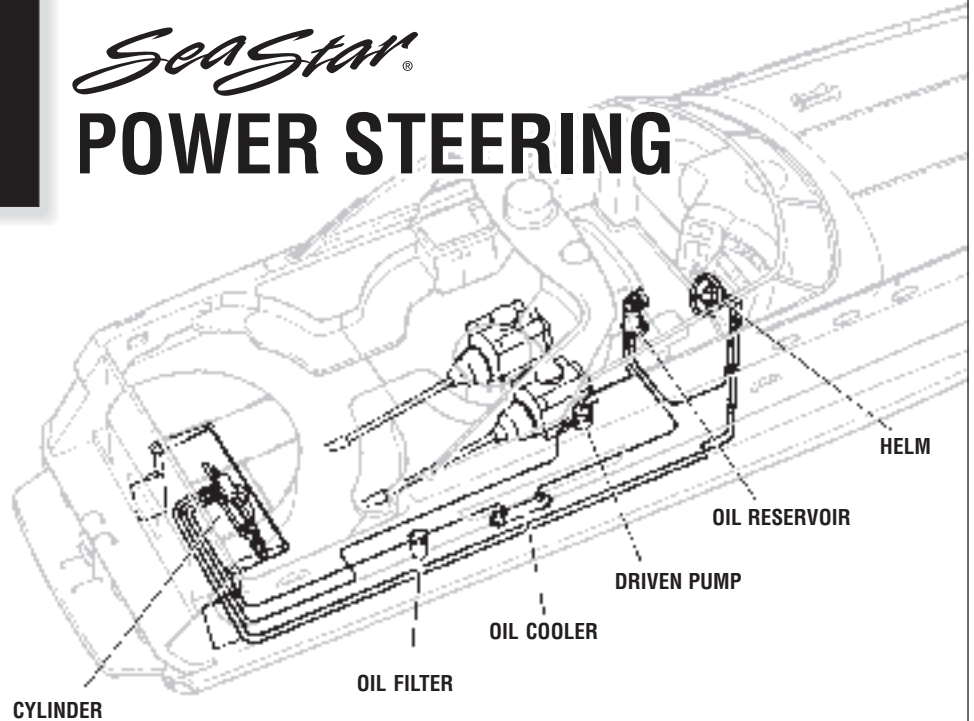
Tube: The 5/16 nylon tube and fittings are obsolete and must be replaced with SeaStar 3/8" nylon extruded tube for all inboard applications.

Uniflow Valve: U-10 or Model 50: Obsolete, no replacement parts are available.

Cylinder: Adapter HA5425 is required for the conversion from a Syten steering cylinder to a current SeaStar Steering cylinder.

Recommendations made in this publication are guidelines based on average acceptance of steering effort.

SeaStar® POWER STEERING



Features:

- Effortless steering from docking to top speed
- Responsive steering 3-1/2, turns lock to lock (or to suit)
- Automatic manual back up steering
- Simplified installation
- Multiple steering stations
- Easy autopilot interface

How it works:



SeaStar hydraulic power steering uses the ship's engine(s) to provide the "power" for the steering system, via an engine or electric motor driven hydraulic pump.

A manual hydraulic steering system, consisting of a standard SeaStar helm and a hydraulic steering cylinder, (fitted with an integral servo cylinder and a power steering valve) supplies the "control" portion of the steering system.

Under normal conditions, with engines running, a hydraulic oil supply is in a stand-by mode, ready to be directed to the steering cylinder as dictated by the steering wheel, servo cylinder and power steering valve. Turning the steering wheel left or right makes the system go from stand-by into operating mode and move the steering cylinder accordingly.

In the event of a power source failure, hydraulic oil, from the steering helm, is automatically diverted directly into the servo and steering cylinder, providing the helmsman with manual back-up steering.

An engine room mounted oil reservoir allows easy system fill and assists the in-line oil cooler in cooling the hydraulic oil. An in-line oil filter helps to protect the steering system components against contaminants.

Hose, Tube and Hydraulic Fluid:

Recommend 100R1 for power circuit, 5/16"ID hose or tube for manual circuit. *If using 1/4"ID tube, runs should be short and SeaStar oil must be used.

System designed to use SeaStar oil (Mil spec H5606) or Dexron II (ATF) if using 1250V or 1275V helms.

Cylinder Selection Guide: * All boats over 70' should have steering loads reviewed by factory.

CYLINDER PART NUMBER	DISPLACEMENT HULLS (standard)	DISPLACEMENT HULLS (heavy duty)	PLANING HULLS
SINGLE 9" x 1 CYLINDER (HC5801-2)	UP TO50' (15m)	UP TO40' (12m)	UP TO65' (20m)
TWIN 9" x 2 CYLINDER (HC5802)	UP TO75' (22m)	UP TO55' (17m)	UP TO85' (26m)
SINGLE 11" x 1 CYLINDER (HC5803-2)	UP TO60' (18m)	UP TO50' (15m)	UP TO75' (23m)
TWIN 11" x 2 CYLINDER (HC5804)	UP TO85' (26m)	UP TO60' (18m)	UP TO100' (31m)
*SINGLE 9" x 2.5 CYLINDER (HC5805)	UP TO100' (31m)	UP TO70' (22m)	UP TO110' (34m)
*TWIN 9" x 2.5 CYLINDER (HC5806)	UP TO110' (34m)	UP TO80' (25m)	UP TO120' (37m)

* Larger 2.5" cylinder bore than HC5801-2 and HC5802.

Technical Data:

CYLINDER PART NUMBER	DISPLACEMENT	BORE	STROKE	OUTPUT FORCE	MAX. TORQUE (35° from centre)
SINGLE 9" CYLINDER (HC5801-2)	21.25 in ³ (348cc)	2.0" (51mm)	9" (229mm)	2946 lbs _f (13,090 N)	18,900 in-lbs (2130 Nm)
SINGLE 11" CYLINDER (HC5803-2)	26.00 in ³ (426cc)	2.0" (51mm)	11" (280mm)	2946 lbs _f (13,090 N)	23,140 in-lbs (2610 Nm)
TWIN 9" CYLINDER (HC5802)	42.50 in ³ (697cc)	2.0" (51mm)	9" (229mm)	5892 lbs _f (26,190 N)	37,800 in-lbs (4260 Nm)
TWIN 11" CYLINDER (HC5804)	52.00 in ³ (853cc)	2.0" (51mm)	11" (280mm)	5892 lbs _f (26,190 N)	46,280 in-lbs (5220 Nm)
SINGLE 9" CYLINDER (HC5805)	37.11 in ³ (608cc)	2.5" (64mm)	9" (229mm)	5154 lbs _f (22,926 N)	33,065 in-lbs (3736 Nm)
TWIN 9" CYLINDER (HC5806)	74.33 in ³ (1216cc)	2.5" (64mm)	9" (229mm)	10,308 lbs _f (45,852 N)	66,130 in-lbs (7472 Nm)

Basic System Selection Guide:

Power Steering Cylinders Part #

9" (228mm) strokeHC5801-2

See table above for correct cylinder selection

11" (279mm) strokeHC5803-2

See table above for correct cylinder selection

9" (228mm) strokeHC5805

See table above for correct cylinder selection

Add-On Cylinders

9" (228mm) strokeHC5802

See table above for correct cylinder selection

11" (279mm) strokeHC5804

See table above for correct cylinder selection

9" (228mm) strokeHC5806

See table above for correct cylinder selection

Steering Helms (For 3-1/2 Turn System) Part #

SSI Helm, Standard Mount.....HH5271

SSI Helm, Rear MountHH5261

SSI Helm, TiltHH5741

SSI Helm, Rear Mount, 1" ShaftHH5281

Power Steering Pumps

Outlet Check Power Pump.....HP5820

Press Relief Twin Pump.....HP5822

R.H. Rotation, Belt Drive.....HP5830

L.H. Rotation, Belt DriveHP5831

R.H. Rotation, Keyed Shaft, Direct DriveHP5832

R.H. Rotation, Keyed Shaft, Direct DriveHP5833

R.H. Rotation, Direct Drive, Heavy Duty.....HP5835

R.H. Rotation, 9 Tooth

Splined Shaft, Direct DriveHP5837

R.H. Rotation, 11 Tooth

Splined Shaft, Direct DriveHP5838

R.H. Rotation, Direct Drive,

No Flow Control.....HP5836

R.H. Rotation, 9 Tooth

Splined Shaft, Direct DriveHP5839

L.H. Rotation, 11 Tooth

Splined Shaft, Direct DriveHP5840

L.H. Rotation, Direct Drive.....HP5841

L.H. Rotation, 11 Tooth

Splined Shaft, Direct DriveHP5842

L.H. Rotation, 9 Tooth

Splined Shaft, Direct DriveHP5843

R.H. Rotation, 6 Tooth

B Flange, Direct DriveHP5844

L.H. Direct Drive, 9 Tooth

Splined ShaftHP5845

R.H. Direct Drive, 9 Tooth

Splined ShaftHP5846

R.H. Direct Drive, 11 Tooth

Splined ShaftHP5847

R.H. Keyed ShaftHP5848

L.H. Direct Drive, 11 Tooth

Splined ShaftHP5849

L.H. Keyed Shaft.....HP5850

L.H. direct drive, 13 Tooth

Splined ShaftHP5852

Oil Reservoir, Cooler & Filter Part #

Oil Reservoir.....HP5810

Oil Cooler, 2.25 Kw, 1" water lines.....HP5825

Oil Cooler, 6.25 Kw, 2" water lines.....HP5826

Oil FilterHP5815

Miscellaneous

Outlet Check Valve (Power Pump).....HP5820

Auto Flow Control (Twin Pump)HP5821

Crossover Pressure ReliefHP5822

System Pressure Gauge KitHA5821

Adapter Kit, Twin Disk #5050HA5823

Adapter Kit, Twin Disk #5061HA5824

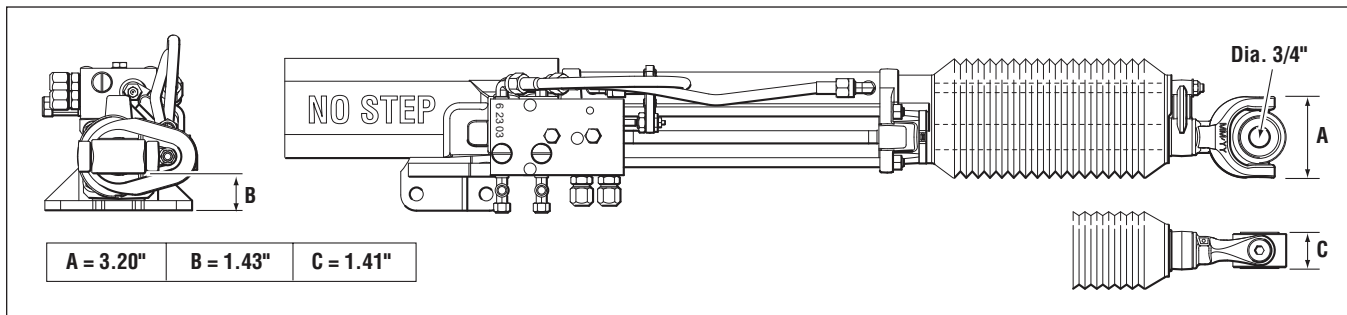
Adapter Kit, MAN to V10 Pump.....HA5827

SeaStar Oil, 1 liter.....HA5430

SeaStar Oil, 4 liter.....HA5440

Pressure Relief Valve, (1250psi setting).....*HP5818

* Required in a system where the Power pump does NOT have a built in pressure relief valve. ALL SeaStar Power Pumps have built in Pressure Relief Valves.



HYNAUTIC TRIM TABS

Introduction

The effort required to keep large pleasure yachts and commercial boats trim and level is usually too great for most fiberglass nylon trim cylinders, even when used in multiple combinations. This is especially true when backing down hard.

Based on an understanding of these forces, Hynautic offers a heavy duty brass trim cylinder powerful enough to move and maintain the position of even the largest trim planes.

And, this patented product is more durable because it resists corrosion by eliminating all external hoses, isolating dissimilar metals, and protecting vital seals.

Coupled with a Hynautic 12 volt or 24 volt pump the cylinder will extend quickly enough to make an immediate difference in the trim of your yacht or work boat.

Applications

The Hynautic cruiser trim system is designed for yachts and commercial vessels. One brass trim cylinder provides a force equal to approximately 2.5 times that of the typical nylon cylinders.

Therefore, a Hynautic TCS-1-02 trim system, which includes separate port and starboard cylinder/pump assemblies is effective for most yachts to 65 feet using properly reinforced stainless planes. When more hydraulic muscle is needed, two cylinders per tab may be pressurized from a single pump as in the TCS-2-01 system.

Similarly, Hynautic can supply a system as complex as four cylinders moving a single trim plane from a single power pump source.

Because of the diversity of tab shapes and materials, the design is left to the builder and not included in the basic system.

Features

Double acting brass cylinder with a patented porting design:

All plumbing is left inside the transom. No external plumbing fittings to be damaged or corroded. The patented, double wall cylinders are pressurized in each direction which means they work equally as well at either holding the plane down against a force from below or preventing it from being pushed down from a force from above.

Simple, effective marine power pumps:

Available in 12 or 24 volt, and easy to install and purge. The use of marine rated relays and switches adds to the product's durability.

A design mechanics can appreciate:

The cylinder is designed to be disassembled from outside the boat without removing the complete assembly from the transom. Where dissimilar metals might come in contact, they are separated by a neutral material to reduce the effects of electrolytic corrosion.

Designed to be filled with Dextron III Automatic Transmission Fluid or equivalent.

Order Guide

NOTICE

Pressure and plate dimensional requirements are to be calculated by your Naval Architect.

TCS-1-01 TAB CYLINDER SYS, 24 VOLT:

Control switch	1 eaTC-03
Tab cyl. - cruiser	2 eaTK-01
Power pump	2 eaTP-01
Manual	1 ea182037
Hose - 2ft.	4 ea207402

TCS-1-02 TAB CYLINDER SYS, 12 VOLT:

Control switch	1 eaTC-03
Tab cyl. - cruiser	2 eaTK-01
Power pump	2 eaTP-02
Manual	1 ea182038
Hose - 2ft.	4 ea207402

TCS-2-02 TAB CYLINDER SYS, 12 VOLT:

Control switch	1 eaTC-03
Tab cyl. - cruiser	4 eaTK-01
Power pump	2 eaTP-02
Manual	1 ea182038
Hose - 2ft.	4 ea207402

OPTIONAL PUMP:

Pump 24V DC (110cu. in./minute)TP-03
---------------------------------	------------

Cylinder Specification

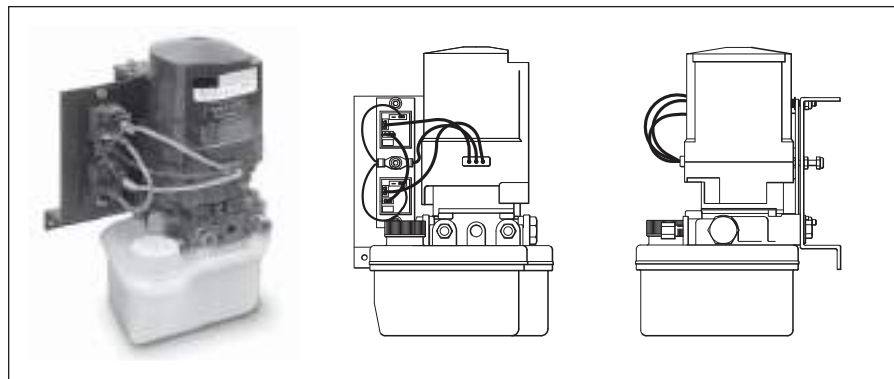
Stroke = 4"

Displacement = 5.94 cu in.

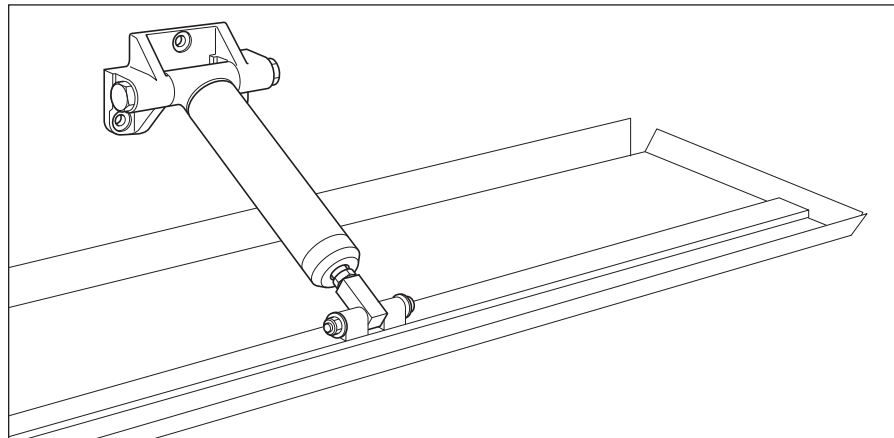
Force = 2230 ft lb @ rated pressure

Model	Displacement (in. 3/min)	Motor
TP-02	57	12V
TP-01	80	24V
TP-03	110	24V

Optional Pump Part# TP-03



Tab Cylinder Part# TK-01



SeaStar® HELMS

The SeaStar helm pump is the heart of the hydraulic steering system. SeaStar helm pumps are the product of many years of research and experience by the world's foremost builder of manual hydraulic steering systems. Our efforts have resulted in a design which represents the ultimate in efficiency, safety and reliability, yet is easy to install and maintain. Superior design, teamed with the finest materials, precision manufacturing and rigid quality control all add up to an outstanding product which is certain to set industry standards for years to come.



Standard helm features

- Compact, stylish design.
- Available in 1.7, 2.0 and 2.4 cubic inch displacements.
- Convenient front of dash fill.
- Small 3.0" hole cutout on dash.
- Can be retrofitted into old SeaStar 4.5" hole cutout.
- Complete with elbow fittings.



Rear mount helm features (CONTACT YOUR LOCAL DISTRIBUTOR FOR AVAILABILITY)

- Behind dash mounting configuration.
- Available in 1.4, 1.7 and 2.4 cubic inch displacements.
- Top of dash fill point.
- Complete with elbow fittings.



Sport Tilt helm features

- 5 wheel positions allow adjustment to most comfortable steering position.
- 48 degree tilt range (12 down - 36 up).
- Available in 1.7, 2.0 and 2.4 cubic inch displacements.
- Remote fill point.
- Complete with elbow fittings.
- Comes with newly designed tilt mechanism.



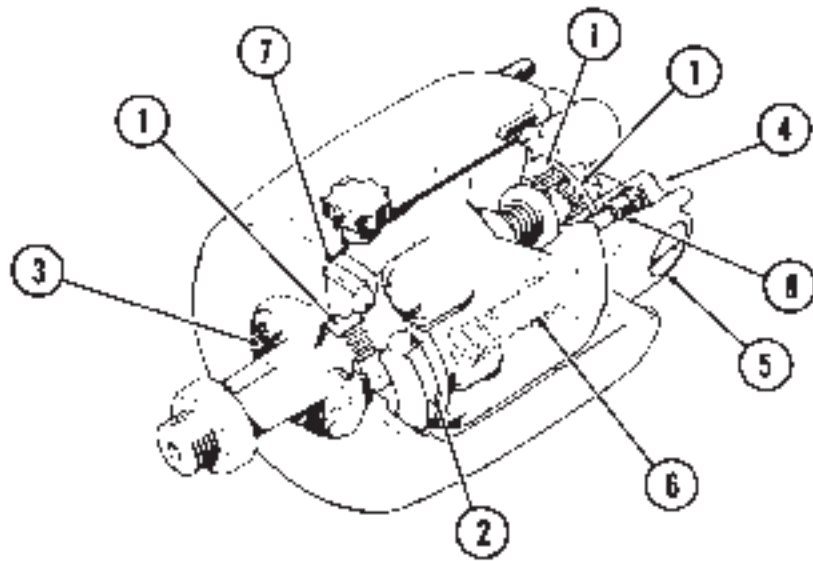
Traditional Tilt helm features

- 5 wheel positions allow adjustment to most comfortable steering position.
- 48 degree tilt range (18 down - 30 up).
- Available in 1.7, 2.0 and 2.4 cubic inch displacements.
- Convenient front of dash fill.
- Complete with elbow fittings.

Features of SeaStar Helm Pumps

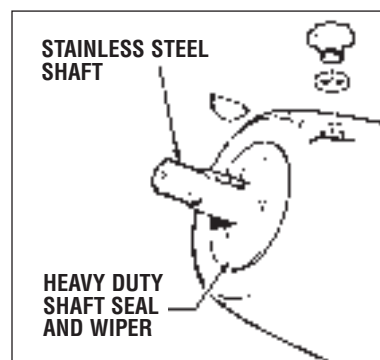
Features

- 1 Helm rotor supported by three roller bearings.
- 2 Ball bearing piston race.
- 3 Field replaceable shaft seal.
- 4 1/4" NPT ports.
- 5 Built-in lock valve for positive rudder lock.
- 6 Patented bleed tubes.
- 7 Internal air pocket eliminates oil expansion overflow.
- 8 Integral relief valve.



Commercial Helms

Part# HH5217, HH5224



Specifically designed to be used on smaller fishing vessels involved in the Lobster and Crabbing Industries. The Commercial Helm Pumps are designed with a stainless steel shaft and heavy duty shaft seal and wiper. This new shaft and seal help protect the Helm Pump from the abrasive effects of sediment that is brought on board by the operator handling Traps or Pots.

NOTICE

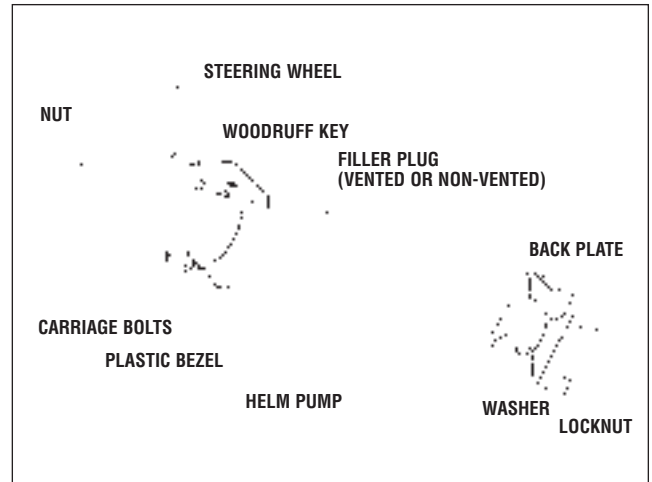
For Commercial Use ONLY.

Accessories

Backplate Kit (part # HA5418)

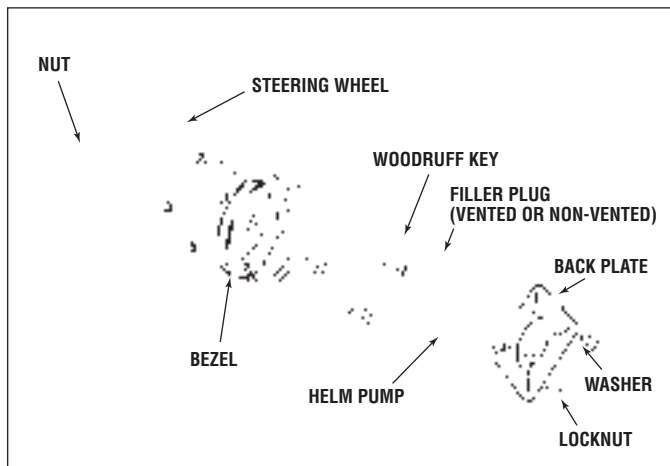
- a) Used to retrofit a new Seastar standard helm in the old 4.5" (115mm) diameter hole, or
- b) reduce the helm protrusion from the dash by the thickness of the dash, or
- c) retrofit new SEASTAR standard helm into hole cutouts for mechanical and hydraulic steering as per chart.

STEERING MANUFACTURER	HELM MODEL TYPE	SYSTEM	BACKPLATE KIT REQ
TELEFLEX	SAFE-T	MECHANICAL	YES
	BIG-T	MECHANICAL	YES
	ROTARY	MECHANICAL	NO
	RACK AND PINION	MECHANICAL	NO
	SYTEN	HYDRAULIC	YES
MORSE	ROTARY	MECHANICAL	NO
	RACK AND PINION	MECHANICAL	NO
HYNAUTIC	H-50 SERIES	HYDRAULIC	YES
	H-60 SERIES	HYDRAULIC	YES
	H-80 SERIES	HYDRAULIC	YES
	H-300 SERIES	HYDRAULIC	YES



Round Bezel (part # HA5417)

Reduces the distance the helm protrudes from the front of the dash to 3.75" (93mm).

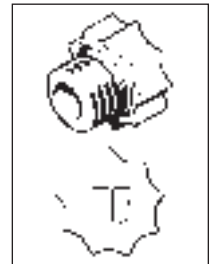


Vent Plug (part # HA5431)

Supplied with SeaStar Helm Pump

Must Be used with Helm Pump on all single steering station systems.

Must be used on uppermost Helm Pump on multi steering station systems.



Non-Vent Plug (part # HA5432)

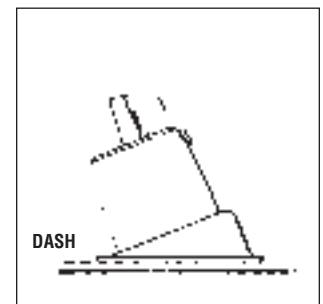
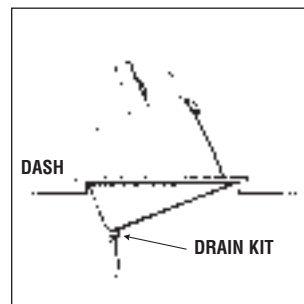
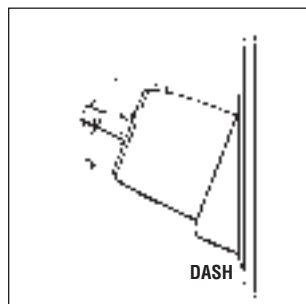
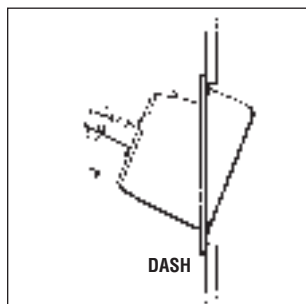
Must be used on all Helm Pumps other than uppermost Helm Pump on multi steering station systems.

This Non-Vent Plug is supplied with additional Fitting Kit No. HF5501 & HF5502



20° Wedge (part # HA5419 & HA5408 c/w Drain kit)

This kit is designed to mount the helm at a 20° angle to the mounting surface. 4 possible mounting configurations are available.



▲ For this configuration use **HA5408**

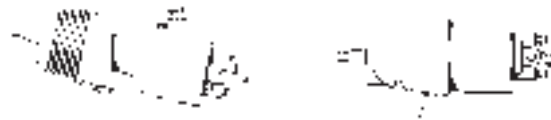
SeaStar Helm – Order Guide

SeaStar Standard Mount



PART NUMBER	HELM DESCRIPTION	DISPLACEMENT		RELIEF VALVE SETTING		NOTES
		CU. IN./REV	(CC/REV)	PSI (BAR)		
HH5269	STANDARD MOUNT	1.4	(23.0)	1000	(70)	
HH5271	STANDARD MOUNT	1.7	(27.8)	1000	(70)	
HH5761	STANDARD MOUNT FULL FEEDBACK	1.7	(27.8)	1000	(70)	2
HH5217	STD. MOUNT, COMMERCIAL	1.7	(27.8)	1000	(70)	3
HH5273	STANDARD MOUNT	2.0	(33.0)	1000	(70)	
HH5760	STANDARD MOUNT FULL FEEDBACK	2.0	(33.0)	1000	(70)	2
HH5272	STANDARD MOUNT	2.4	(39.3)	1000	(70)	
HH5762	STANDARD MOUNT FULL FEEDBACK	2.4	(39.3)	1000	(70)	2
HH5224	STD. MOUNT, COMMERCIAL	2.4	(39.3)	1000	(70)	3

SeaStar Tilt Mount



HH5744	TRADITIONAL TILT	1.4	(23.0)	1000	(70)	
HH6193	SPORT TILT	1.4	(23.0)	1000	(70)	
HH5741	TRADITIONAL TILT	1.7	(27.8)	1000	(70)	
HH6191	SPORT TILT	1.7	(27.8)	1000	(70)	
HH6291	SPORT TILT (Spline Shaft)	1.7	(27.8)	1000	(70)	
HH5743	TRADITIONAL TILT	2.0	(33.0)	1000	(70)	
HH6145	SPORT TILT	2.0	(33.0)	1000	(70)	
HH5742	TRADITIONAL TILT	2.4	(39.3)	1000	(70)	
HH6192	SPORT TILT	2.4	(39.3)	1000	(70)	
HH6292	SPORT TILT (Spline Shaft)	2.4	(39.3)	1000	(70)	

SeaStar Rear Mount



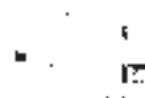
HH5260	REAR MOUNT	1.4	(23.0)	1000	(70)	
HH5279	REAR MOUNT 1" STRAIGHT SHAFT	1.4	(23.0)	1000	(70)	
HH5280	REAR MOUNT 1" TAPERED SHAFT	1.4	(23.0)	1000	(70)	
HH5231	REAR MOUNT FULL FEEDBACK	1.4	(23.0)	1000	(70)	
HH5261	REAR MOUNT	1.7	(27.8)	1000	(70)	
HH5281	REAR MOUNT 1" TAPERED SHAFT	1.7	(27.8)	1000	(70)	
HH5262	REAR MOUNT	2.4	(39.3)	1000	(70)	
HH5282	REAR MOUNT 1" TAPERED SHAFT	2.4	(39.3)	1000	(70)	

NOTES

1. SeaStar PRO helms cannot be used with an unbalanced cylinder. SeaStar reinforced Kevlar Outboard style hoses MUST be used with ALL SeaStar PRO helms.
2. No "Check Valves" are installed into these helm pumps. These are intended for use in a single steering station application ONLY. Not for use in multiple steering stations and/or in conjunction with autopilot.
3. Commercial helms use a stainless steel shaft and a better sealing top plate for use in extreme conditions and or commercial type applications.

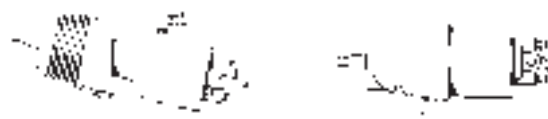
SeaStar PRO Helm – Order Guide

SeaStar PRO Standard Mount



PART NUMBER	HELM DESCRIPTION	DISPLACEMENT		RELIEF VALVE SETTING		NOTES
		CU. IN./REV	(CC/REV)	PSI	(BAR)	
HH5779	STANDARD MOUNT	1.7	(27.8)	1500	(103)	1
HH5218	STD. MOUNT, COMMERCIAL	1.7	(27.8)	1500	(103)	1, 3
HH5770	STANDARD MOUNT	2.0	(33.0)	1500	(103)	1
HH5772	STANDARD MOUNT	2.4	(39.3)	1500	(103)	1

SeaStar PRO Traditional and Sport Tilt Mount



HH5775	TRADITIONAL TILT	1.4	(23.0)	1500	(103)	1
HH5773	TRADITIONAL TILT	1.7	(27.8)	1500	(103)	1
HH6189	SPORT TILT	1.7	(27.8)	1500	(103)	1
HH5774	TRADITIONAL TILT	2.0	(33.0)	1500	(103)	1
HH6190	SPORT TILT	2.0	(33.0)	1500	(103)	1
HH6188	SPORT TILT	2.4	(39.3)	1500	(103)	1

SeaStar PRO Rear Mount



HH5778	REAR MOUNT	1.7	(27.8)	1500	(103)	1
HH5771	REAR MOUNT	2.0	(33.0)	1500	(103)	1

NOTES

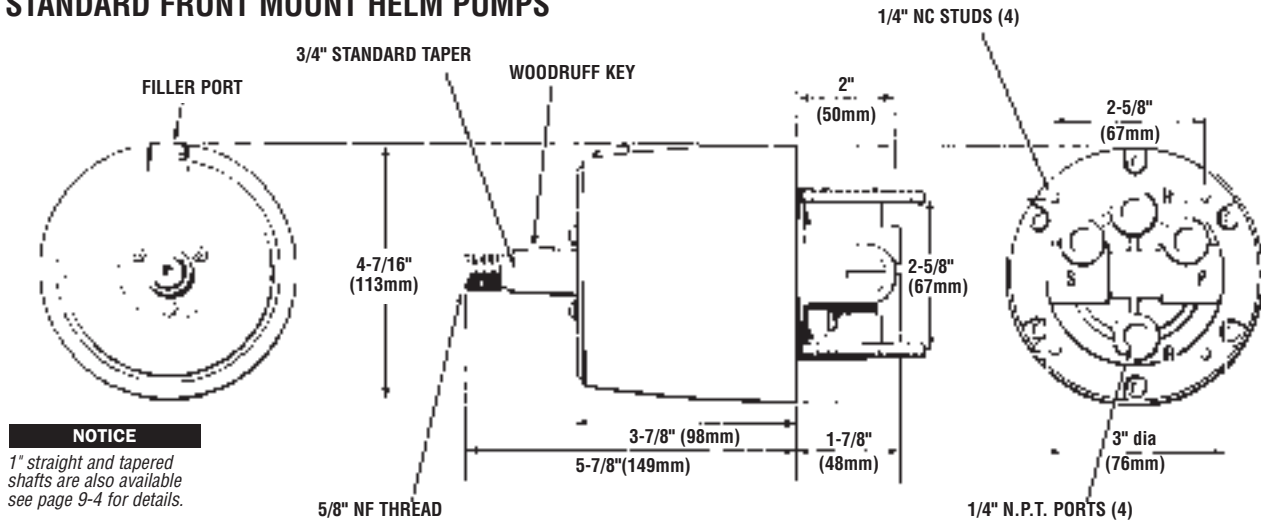
1. SeaStar PRO helms cannot be used with an unbalanced cylinder. SeaStar reinforced Kevlar Outboard style hoses MUST be used with ALL SeaStar PRO helms.
2. No "Check Valves" are installed into these helm pumps. These are intended for use in a single steering station application ONLY. Not for use in multiple steering stations and/or in conjunction with autopilot.
3. Commercial helms use a stainless steel shaft and a better sealing top plate for use in extreme conditions and or commercial type applications.

Standard/Rear Mount Helm Dimensions

NOTICE

ALL SeaStar helm pumps can be mounted horizontally to vertically and anywhere in between. In ALL cases the filler port must be in the uppermost position.

STANDARD FRONT MOUNT HELM PUMPS



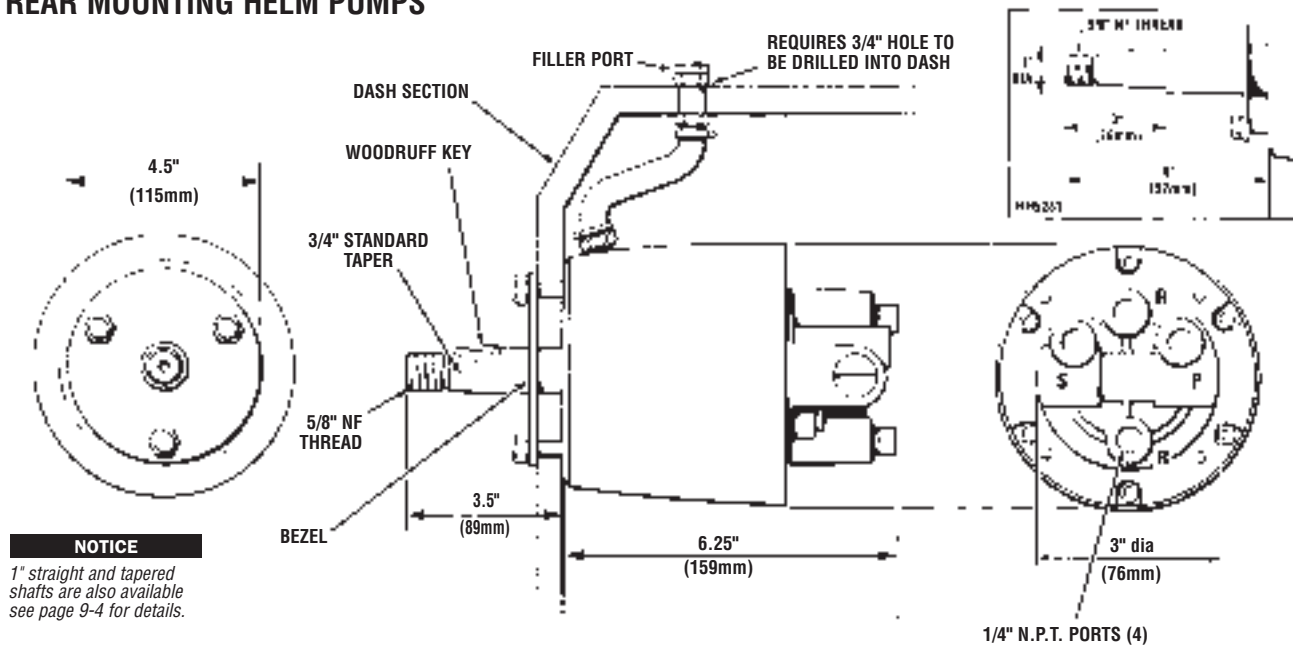
NOTICE

1" straight and tapered shafts are also available see page 9-4 for details.

NOTICE

Max. steering wheel diameter 28" (711mm).

REAR MOUNTING HELM PUMPS



NOTICE

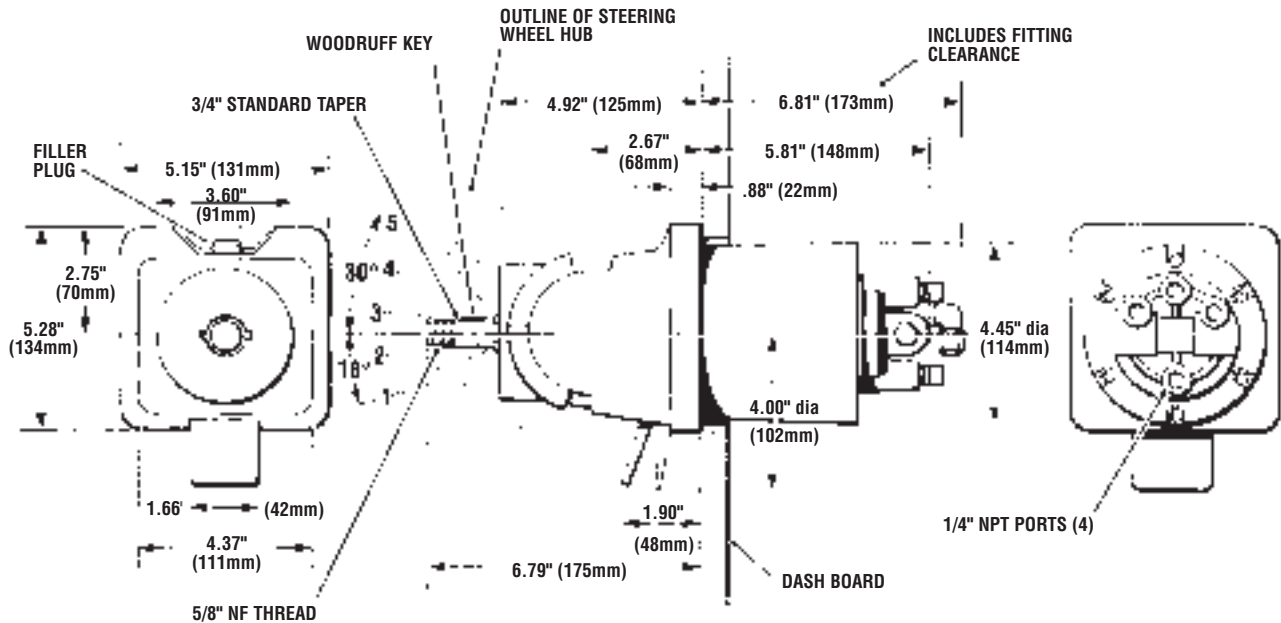
1" straight and tapered shafts are also available see page 9-4 for details.

NOTICE

Max. steering wheel diameter 28" (711mm). Min. dash thickness 1" (25.5mm), Max. dash thickness 1.5" (38mm).

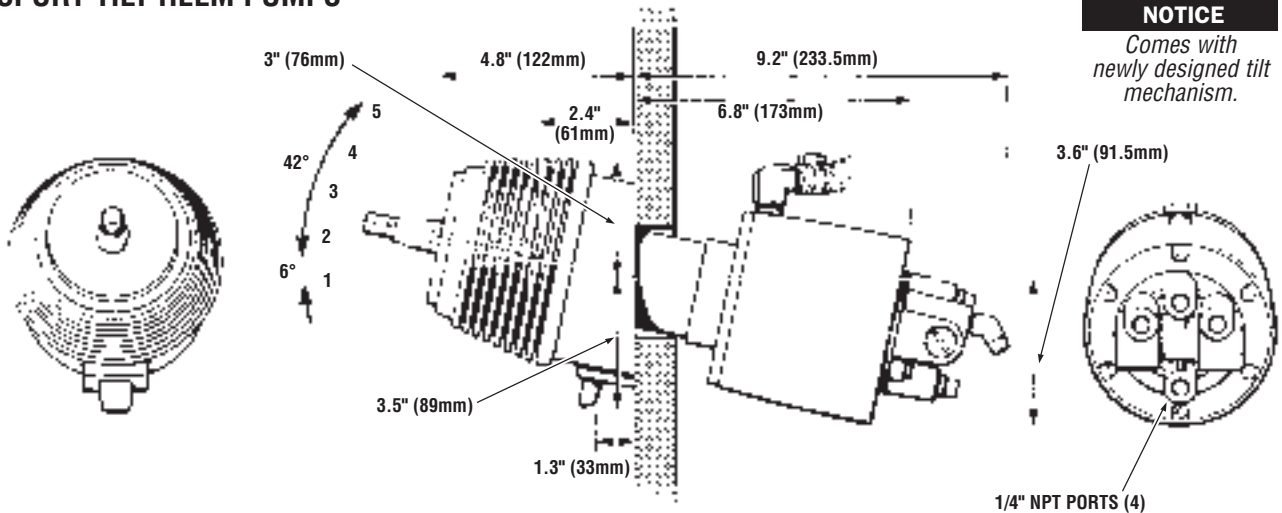
Tilt/Sport Tilt Helm Dimensions

TRADITIONAL STYLE TILT HELM PUMPS



NOTICE Max. steering wheel diameter 20" (508mm)

SPORT TILT HELM PUMPS



NOTICE Max. steering wheel diameter 20" (508mm)

NOTICE

Remote fill and vent kit (included with helm pump) requires a 3/4" hole to be drilled into the dash board and above the helm pump. Please refer to page 10-19, HA5450 for details.

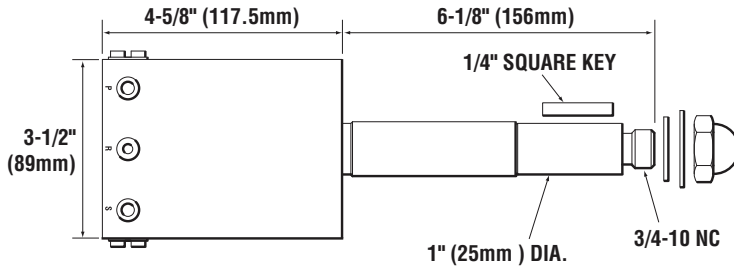
Hynautic Helm Pumps

Heavy Duty Helm Pump H-20 Series



HELM	DISPL	SHAFT STYLE DIA. & TYPE	KEYWAY	INTEGRAL VALVING	
20 Series	H-21	2.75cu in	1 Straight	1/4" Square	Yes
	H-25	2.75cu in	3/4", 1"/ft Tapered	#9 Woodruff	Yes
	H-26	2.00cu in	3/4", 1"/ft Tapered	#9 Woodruff	Yes

H-21

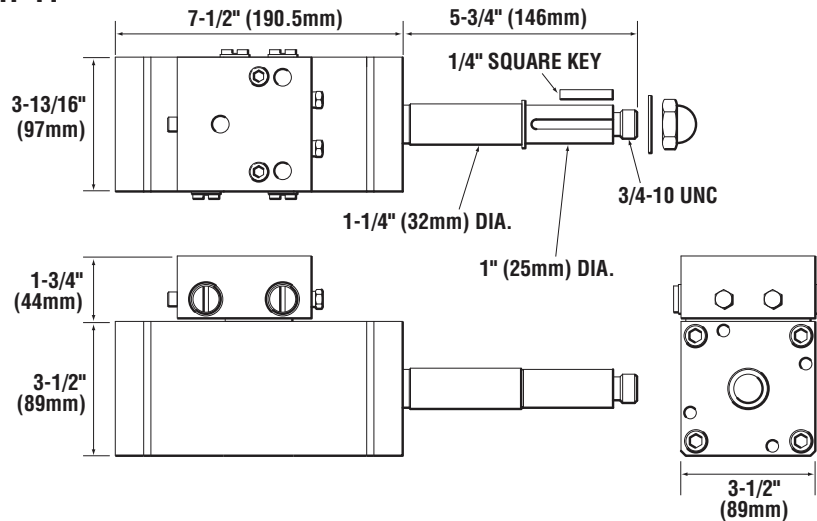


Heavy Duty Helm Pump H-40 Series



HELM	DISPL	SHAFT STYLE DIA. & TYPE	KEYWAY	INTEGRAL VALVING	
40 Series	H-41	5.50cu in	1 Straight	1/4" Square	Yes
	H-41-2	5.50cu in	3/4", 1"/ft Tapered	#9 Woodruff	Yes
	H-42	4.00cu in	1 Straight	1/4" Square	Yes
	H-42-02	4.00cu in	3/4", 1"/ft Tapered	#9 Woodruff	Yes

H-41



NOTICE

If using a Hynautic H-20 or H-40 series helm pump, use of a Hynautic Reservoir and Relief Valve, see page 6-4 for details. Fitting kits sold separately for both H-20 and H-40 series, please see page 6-2 for which fitting kit is to be used."

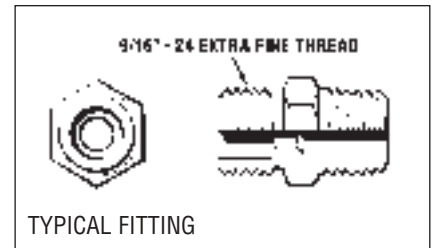
CHAPTER
10



HOSE, TUBING, FITTINGS, ACCESSORIES AND TOOLS

Fittings

All SeaStar Manual Hydraulic steering systems utilize the same style of fittings for all applications. These are 3/8" compression fittings which utilize a 9/16"-24 extra fine thread.



Tubing/Hose

The tubing or hose requirements depend on the type of steering system being considered. Please double check the application in which you are using as in some cases Nylon or copper tube is not to be used.

⚠ WARNING
DO NOT CUT OUTBOARD HYDRAULIC HOSE.

APPLICATION	TUBING/HOSE REQUIREMENTS	PAGE #
OUTBOARDS, INBOARDS, SEASTAR POWER ASSIST, or STERNDRIVE CYLINDER# HC5332	OUTBOARD HOSE	10-2- 10-4
STERNDRIVES, SEADRIVES, INBOARDS, SSI	3/8" DIA. NYLON or COPPER TUBE	10-6- 10-8
CAUTION: DO NOT USE NYLON TUBING IN OUTBOARD AND/OR POWER ASSIST STEERING APPLICATIONS.		

General Considerations

⚠ WARNING
DO NOT use extruded nylon tubing with SeaStar Outboard cylinder, HC5332 stern drive cylinders and/or SeaStar Power Assist Applications.

In most hydraulic steering installations the cylinder body moves as the motor, outdrive or tiller arm is articulated. Provide sufficient hose length to allow full-uninterrupted steering motion including trim and tilt. If your splashwell is rated for a dual engine application or you are mounting the engines on a gill bracket you must provide enough steering hose to rig either twin or single engines. Inboard or Sterndrive steering installations that use 3/8" copper or extruded nylon tube must have a swaged hydraulic hose kit (HF5508) between the steering cylinder and the rigid tube to provide a flexible connection.

SEASTAR OUTBOARD HOSE

! WARNING

SeaStar PRO Helm systems require the use of SeaStar PRO (1500 psi) reinforced Kevlar Hoses ONLY.

SeaStar Outboard hoses are available in kit's (includes two hoses) ranging in length from 2' – 30'. Hydraulic Hose must be protected from chaffing and any possible contact or interference with assembly screws or sharp edges of any type.

The Hydraulic hoses should be secured along the routing path wherever possible and should not be allowed to hang free in any area where they could become a safety hazard. Teleflex Canada Limited Partnership recommends the use of a rigging tube, PVC piping or conduit for the safe secure installation of hydraulic hoses. Do not install hoses in such a way that they may become exposed to high heat areas such as engine components (i.e.; manifold or exhaust components) or highly corrosive areas such as battery fumes or electrical connections.

Continuous kinking, chaffing, rubbing or twisting may eventually weaken hose(s) to a point where it could rupture from normal steering pressure causing loss of steering, resulting in personal or property damage. Visually inspect all hoses and fittings for wear and or damage as part of your regular annual maintenance. Replace any hose or components suspect of excessive wear.

Measuring Hose Lengths

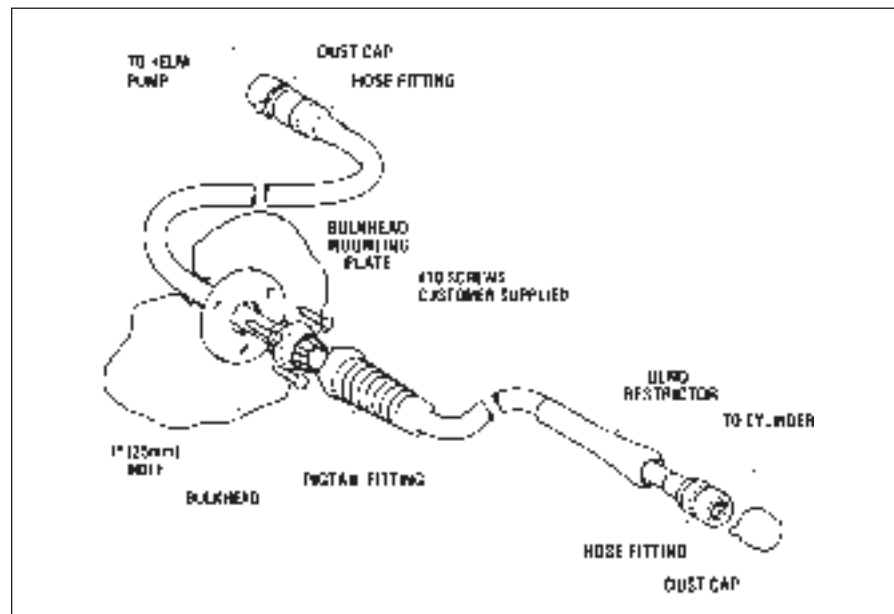
NOTICE

Correct hose length is crucial to the operation of your SeaStar steering system, please be sure that you take all the following measurements correctly to avoid damage to the steering hose.

- 1 Measure from the center of the steering wheel to the Starboard side wall.
- 2 Measure from the Starboard side wall to the transom.
- 3 Measure from the transom into the center of the engines (if this is a twin engine twin cylinder application please measure to the center of the Port side engine.)
- 4 Add up the above three measurements, round up to the nearest even number, then add two feet. This is the length of hose required for your application.

Bulkhead Hose Kit

For the cleanest installation.



Available SeaStar Hose Kits: How to order

Each part number contains two hoses of equal length.

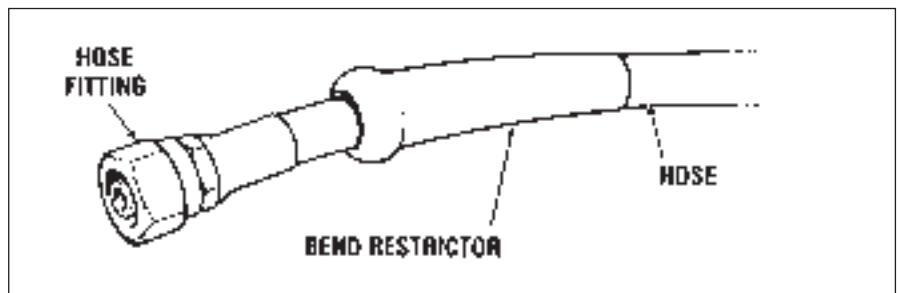
PART NUMBER	KIT DESCRIPTION
* H051XX	SeaStar Standard Outboard Hose Kit (2 hoses)
* H057XX	SeaStar Pro Hose Kit (2 hoses)
** H081XX	SeaStar Bulkhead Hose Kit, Standard (2 hoses)
** H082XX	SeaStar Bulkhead Hose Kit, Pro(2 hoses)

NOTICE

Outboard hoses are supplied with pre- attached hose fittings on both ends.

In order to prevent hose kinking, bend restrictors are supplied on one end of each hose in the kit. The end of the hose with the bend restrictor is to be attached to the cylinder.

- * SeaStar Standard and Pro Hose Kits are available in lengths from 2' – 30'. 40' Hose Kits are available by special order only.
- ** SeaStar Standard and Pro Bulkhead Hose Kits are available in lengths from 12' – 30'. 40' Hose Kits are available by special order only.



Standard Hose Kit

To determine the required hose lengths for outboard steering installations.

From the illustrations on the following pages (figures A through I), select the situation which best suits your application and note the:

- a) cylinder location,
- b) number of cylinders,
- c) type of cylinders,
- d) number of steering stations, and
- e) the number of hose and fitting kits required.

Single Station System

- 1) From the illustration that suits your application note the number of hose and fitting kits required.
- 2) Measure along the intended path of the hose routing for each of the required hose kits.
- 3) Round up the measurement to the next even digit and add 2 feet (0.6m). This is the length of hose kit required.
- 4) Order hose kit(s) part no. H051_ _ . The last two digits correspond to the length of hose kit.

NOTICE

- a) Measure from center of the cylinder(s) and helm(s)
- b) Some installations require more than 1 hose kit and additional fitting kits (see parts list for each figure).
- c) Minimum bend radius for outboard hose is 2-1/2" (6 cm).
- d) Outboard cylinders move. They are subject to engine trim & tilt. Enough slack must be left in the hoses to prevent kinking.

CAUTION

DO NOT cut the hose. This will destroy the hose. Once cut there is no means to field swage fittings to the ends of the hose.

Single Station

Figure A: HC5345
Single Front Mount Cylinder
Note: cylinder body moves

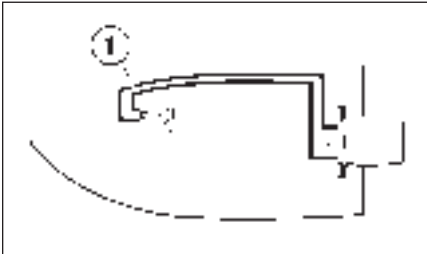


Figure B: HC5370
Single Side Mount Cylinder
Note: cylinder body stationary

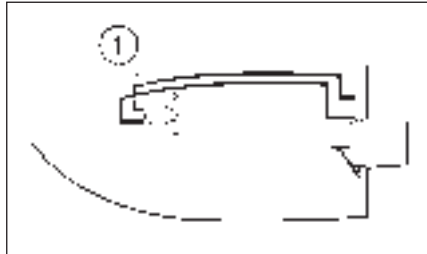


Figure C: HC5380
Single Splashwell Mount Cylinder
Note: cylinder body stationary

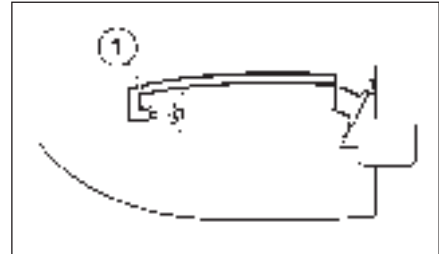


Figure D: HC5345
Dual Front Mount Cylinders
Note: cylinder body moves

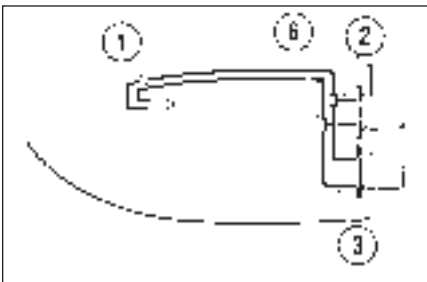


Figure E: HC5370
Dual Side Mount Cylinders
Note: cylinder body stationary

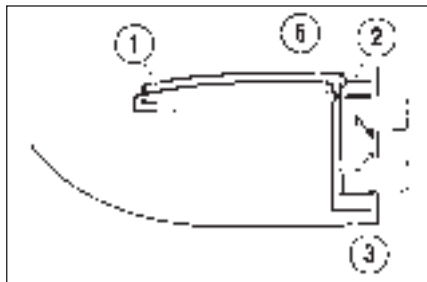


Figure F: HC535
Single Front Mount Cylinder
c/w bulkhead fittings
Note: cylinder body moves

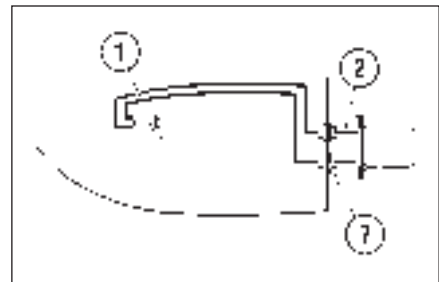


Figure G: HC5370
Single Side Mount Cylinder
c/w bulkhead fittings
Note: cylinder body stationary

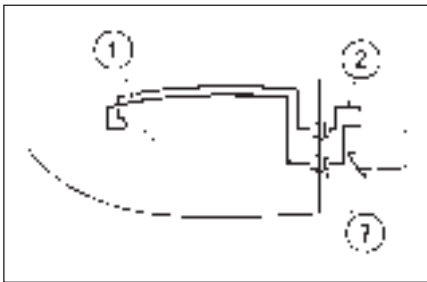


Figure H: HC5345
Dual Front Mount Cylinders
c/w bulkhead fittings

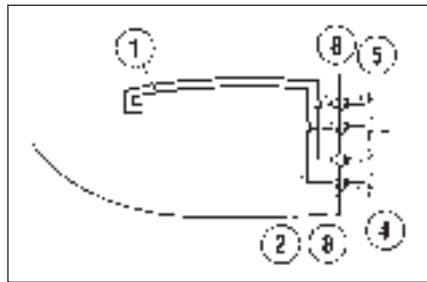
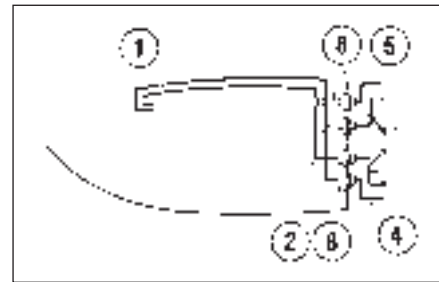


Figure I: HC5370
Dual Side Mount Cylinders
c/w bulkhead fittings



ITEM	PART #	QTY	DESCRIPTION
1	H051__	1	Hose Kit
2	H051__	1	Hose Kit
3	H051__	1	Hose Kit
4	H051__	2	Hose Kit
5	H051__	2	Hose Kit
6	HF5530	1	Tee Fitting (3 per Kit)

ITEM	PART #	QTY	DESCRIPTION
7			Bulkhead Fitting Kit (2 fittings per Kit)
	HF5512	1	3/4" Thick Bulkhead
	HF5513	1	3" Thick Bulkhead
8			Bulkhead Fitting Kit (4 fittings per Kit)
	HF5514	1	3/4" Thick Bulkhead
	HF5515	1	3" Thick Bulkhead

Additional Stations or Autopilot Integration

Additional Steering Station or Autopilot Power pack

- 1) Determine the location of the 2nd station or power pack.
- 2) Measure along the intended path of the hose routing from the upper helm pump to the 2nd station or autopilot power pack.
- 3) Round up the measurement to the next even digit. This is the length of hose kit required.
- 4) Order hose kit(s) part number H051_ _ the last two digits correspond to the length of hose.

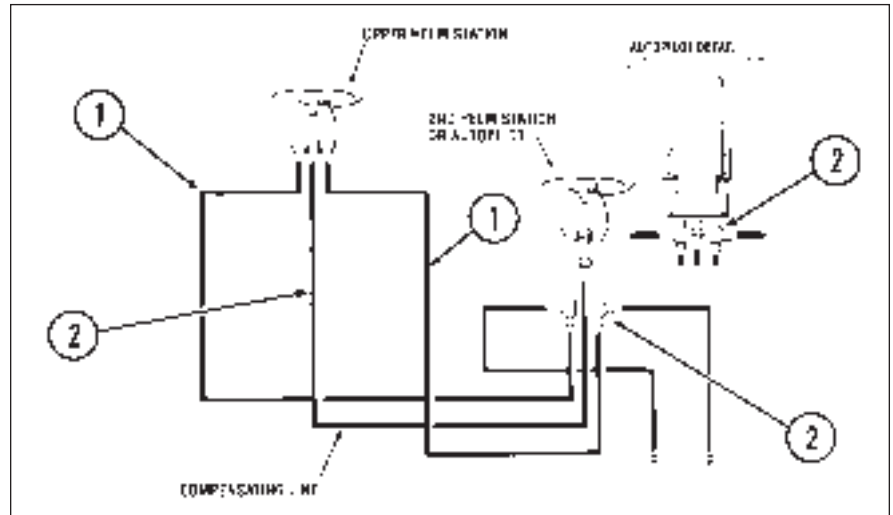
Note:

- a) **All hoses should be routed with a gradual rise so that air will not be trapped in the lower station.**
- b) Some installations require more than 1 hose kit and additional fitting kits.
- c) Minimum bend radius for outboard hose is 2-1/2" (6 cm).
- d) A compensating line is required between helm stations or the helm and autopilot power pack.

Figure J

2nd Steering Station or Autopilot Power Pack Installation

⚠ WARNING
DO NOT CUT HYDRAULIC HOSE.



Parts list

For Figure J

ITEM #	DESCRIPTION	PART NUMBER	QUANTITY REQUIRED	REF PAGE #
1	HOSE KIT	H051_ _	1	
2	FITTING KIT*	HF5501	1	10-10

* Includes 25' of 3/8" dia. Nylon tubing to be used for the compensating line ONLY.

SEASTAR INBOARD/STERNDRIVE TUBING

Two types of tubing materials are available for plumbing Inboards and Sterndrives.

- 1) SeaStar 3/8" outside diameter nylon tubing
- 2) 3/8" outside diameter copper refrigeration tubing

Nylon Tubing

SeaStar 3/8" outside diameter nylon tubing is recommended for;

- a) Inboard,
- b) Sterndrive, and
- c) Seadrive steering systems with SeaStar I (1.7 cubic inch/rev displacement) helms only.

SeaStar 3/8" outside diameter nylon tubing is available in the following lengths:

LENGTH FEET	(METERS)	TUBING PART #'S
25'	(7.6m)	HT5092
50'	(15.2m)	HT5095
75'	(22.8m)	HT5097
100'	(30.5m)	HT5100
1000'	(305.0m)	HT5101

SeaStar 3/8" extruded nylon is NOT recommended for use in systems with SeaStar 2.4 or SeaStar PRO helm pumps. It is also not to be used in systems where total tubing runs exceed 100', in these cases SeaStar Outboard hoses and/or 3/8" copper tubing must be used.

NOTICE

⚠ WARNING

SeaStar PRO Helm systems require the use of SeaStar PRO (1500 psi) reinforced Kevlar Hoses ONLY.

Copper Tubing

3/8" outside diameter copper tubing is recommended for;

- a) inboard,
- b) sterndrive, and
- c) seadrive steering systems with SeaStar II (2.4 cubic inch/rev displacement) helms only, or where the length of tubing run exceeds 100 feet (30.5m).

Additional SeaStar hose kit part number HF5508 is required to connect the tubing to the cylinder.

3/8" copper tubing should be obtained through a local vendor based on the following tubing specifications.

Specification for copper tubing:

Soft annealed copper tubing, Type 'L' produced under ASTM D-280.

To determine the required length of tubing for single and dual configurations:

From the illustrations (figures A through E), select the situation which best suits your application and note;

- a) the type of drive system, and
- b) the number of steering stations.

Single Station

- 1) From the illustration which best suits your application note the number of lengths of tubing and fitting kits required.
- 2) Measure along the intended path of tube routing for each of the tubing runs.
- 3) Determine if 3/8" nylon tube can be used or if copper tubing is required based on lengths of tubing runs required.
- 4) Total up the entire length of tubing required and round up to the next available tube kit length.

Figure A

Single Inboard Cylinder

- fittings required supplied with helm and cylinder

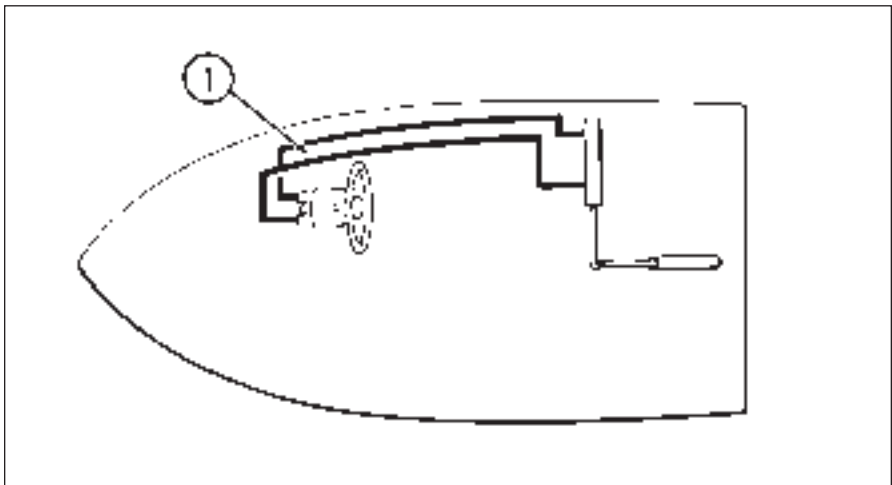
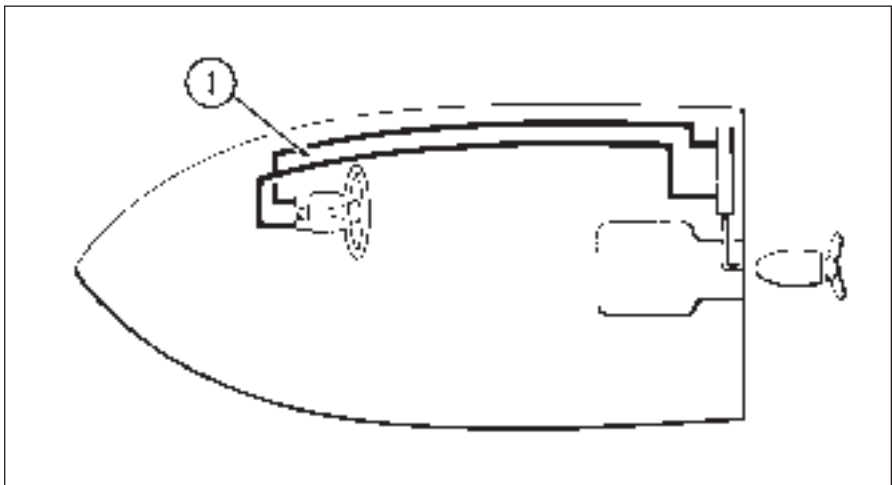


Figure B

Single Sterndrive Cylinder

- fittings required supplied with helm and cylinder



Parts list

For Figures A, B

ITEM #	DESCRIPTION	PART NUMBER	QUANTITY REQUIRED
1	3/8" DIA NYLON OR COPPER TUBE		AS MEASURED

ADDITIONAL SEASTAR STEERING STATION OR AUTOPILOT KIT

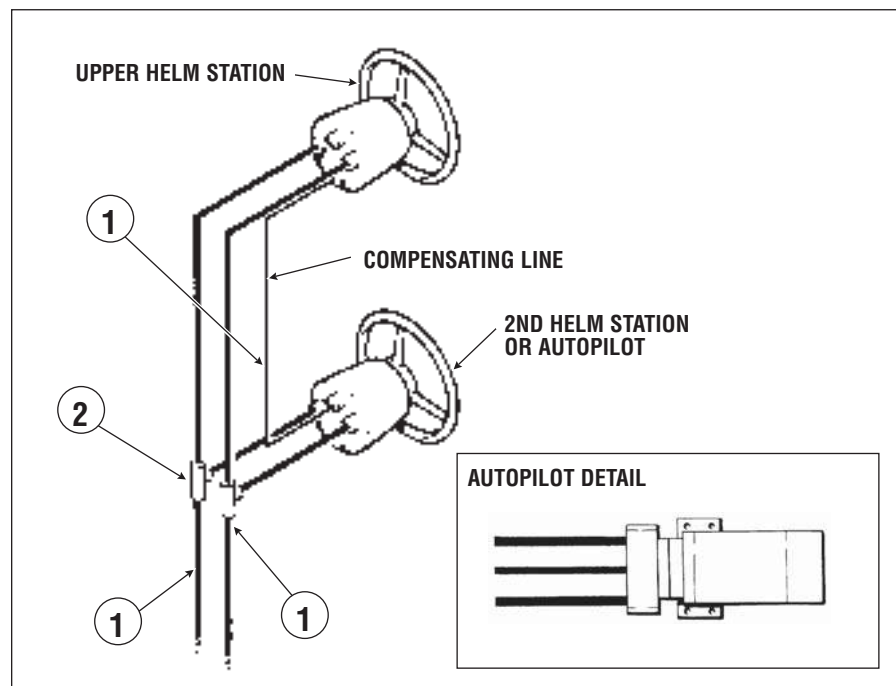
- 1) Refer to illustration Figure E.
- 2) Determine the location of the second station or autopilot power pack.
- 3) Measure along the path of the tube routing from the upper helm pump to the second station or autopilot power pack. Multiply this length by three for the amount of tubing required.
- 4) Select the tubing kit based on the total system tubing requirement.

Figure E

2nd Steering Station or Autopilot

NOTICE

- a) A compensating line is required between helm stations or the helm and autopilot power pack.
- b) All hoses should be routed with a gradual rise (particularly the compensating line) so that air will not be trapped in the lower helm station.
- c) The second helm station or autopilot power pack may be connected at any location between the upper helm station and the cylinder. For existing single station installations the nylon or copper tubing may be cut and the tee fittings installed at any convenient location.



ITEM #	DESCRIPTION	PART NUMBER	QUANTITY REQUIRED	REF PAGE #
1	3/8" DIA NYLON OR COPPER TUBE	HT5_ _ _	AS MEASURED	
2	FITTING KIT	HF5502	1	10-11

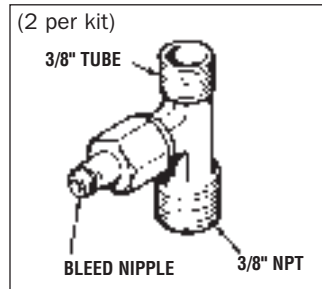
Required details for the addition of an autopilot.

- 1) Most SeaStar Helm pumps have a built in check valve. Full feedback helm pumps do not have a built in check valve and one will be required for the installation of an autopilot, refer to page 9-4 of this guide to determine whether your helm pump has check valves built in.
- 2) Autopilot mfg. requires the volume of your steering cylinder(s) to provide an adequate autopilot pump, refer to page 12-2 for volumes of your cylinder requirement.

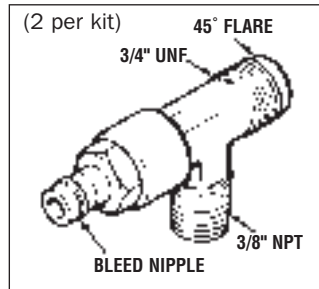
FITTINGS

All SeaStar Manual Hydraulic steering systems utilize the same style of fittings for all applications. These are 3/8" compression fittings which utilize a 9/16"-24 extra fine thread. Refer to page 10-1.

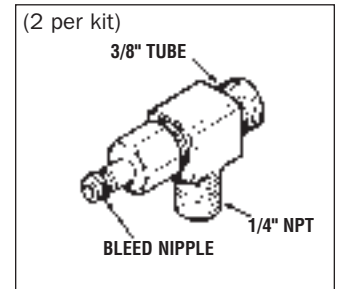
HF5518 Vertical Bleeder Tee



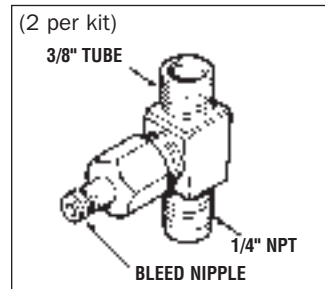
HF5519 Bleed Tee (TM Cylinders)



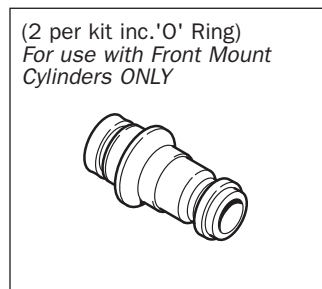
HF5520 Horiz. Bleeder Tee



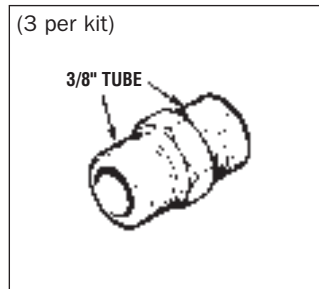
HF5521 Vertical Bleeder Tee



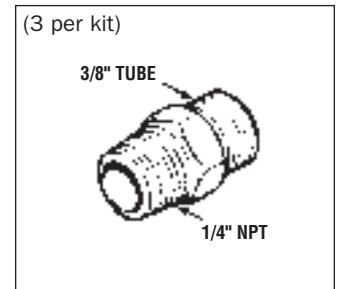
HF5548 Bleed Nipple



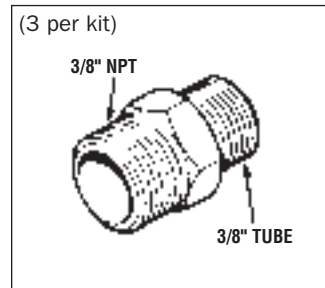
HF5527 Union Coupling Fitting



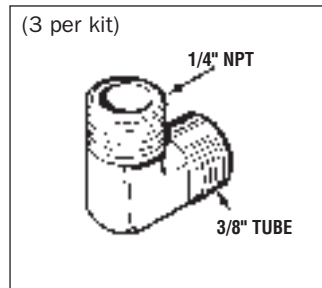
HF5528 Straight Fitting



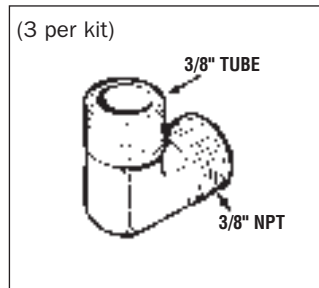
HF5532 Connector Fitting



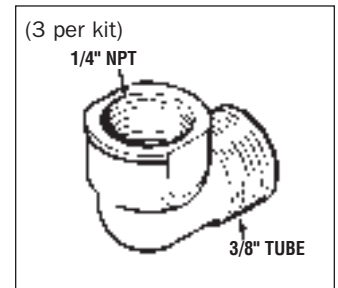
HF5529 Elbow Fitting



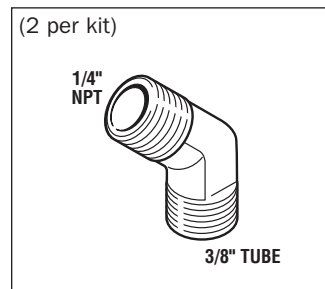
HF5534 Elbow Fitting



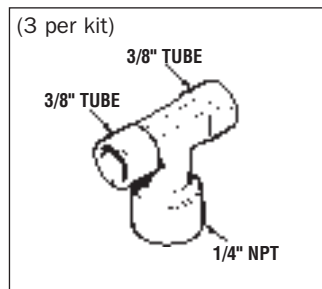
HF5538 Street Elbow



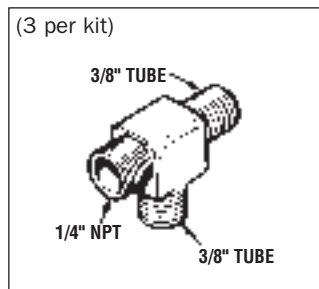
HF5540 45° Fitting



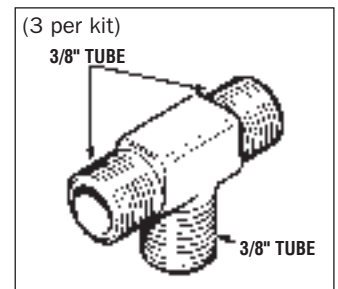
HF5533 Tee Fitting



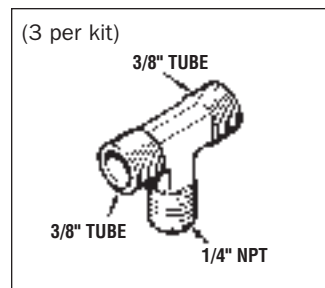
HF5531 Tee Fitting



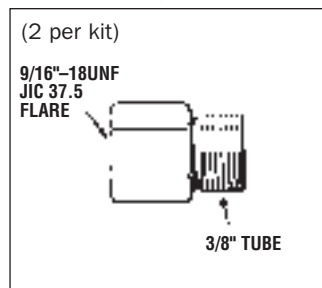
HF5530 Tee Fitting



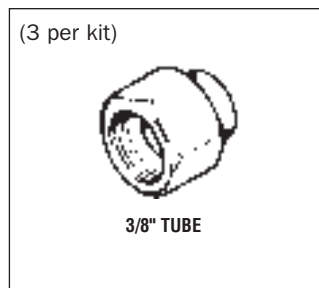
HF5536 Tee Fitting



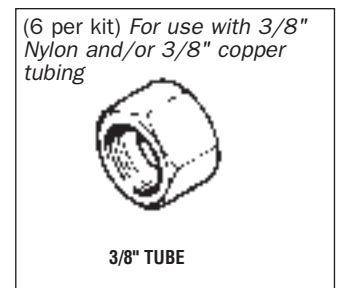
HF5566 Adapter Fitting



HF5524 Cap Plug Nut



HF5526 Tube Nut



HF5501

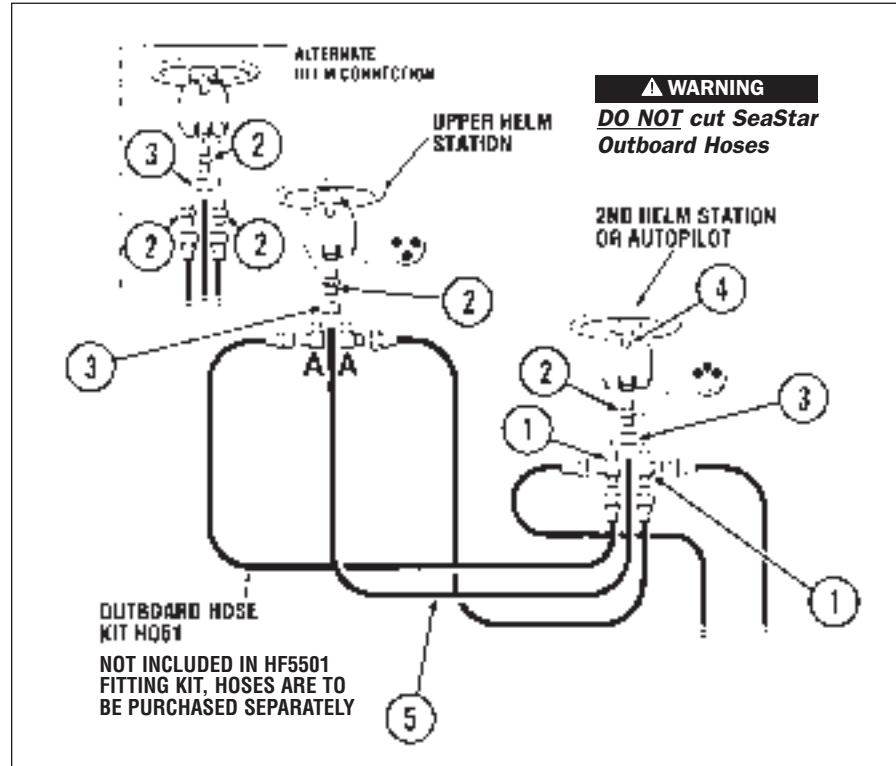
Application

Fitting kit to add a 2nd station or autopilot to an outboard system.

ITEM NO.	DESCRIPTION	QUANTITY PER KIT	PART NO.
1	Tee Fitting 1 End - 3/8" NPT (M) 1 End - 1/4" NPT (M) Center - 3/8" Tube (M)	2	600603
2	Connector Fitting 3/8" Tube (M) - 1/4" NPT (M)	4	600602
3	Tube Nut - 3/8" Dia.	4	280327
4	Non-Vented Filler Plug	1	HA5432
5	SeaStar Nylon Tube 3/8" Dia.	25ft	HT5092
A*	Elbow 3/8" Tube (M) - 1/4" NPT (M)	2	

* SUPPLIED WITH HELM PUMP.

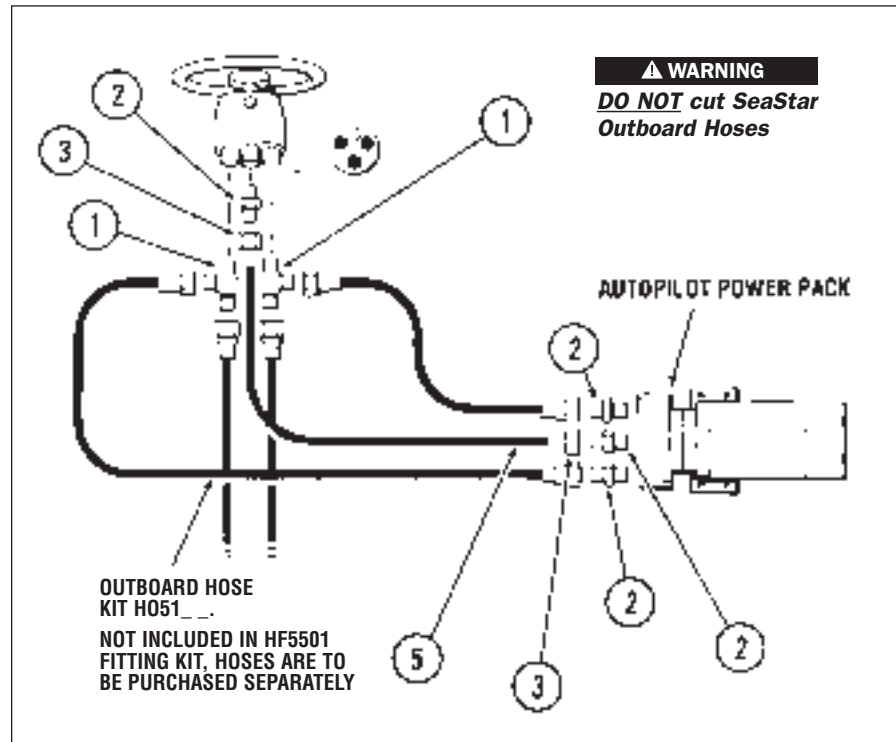
NOTE: HF5501 FITTING KIT IS TO BE USED WHEN THE SYSTEM HAS BEEN PLUMBED WITH SEASTAR OUTBOARD STEERING HOSE ONLY.



Autopilot powerpack connection

CAUTION

DO NOT cut SeaStar Outboard Steering hose. Once cut there is no means to field swage fittings to the ends of the hoses.



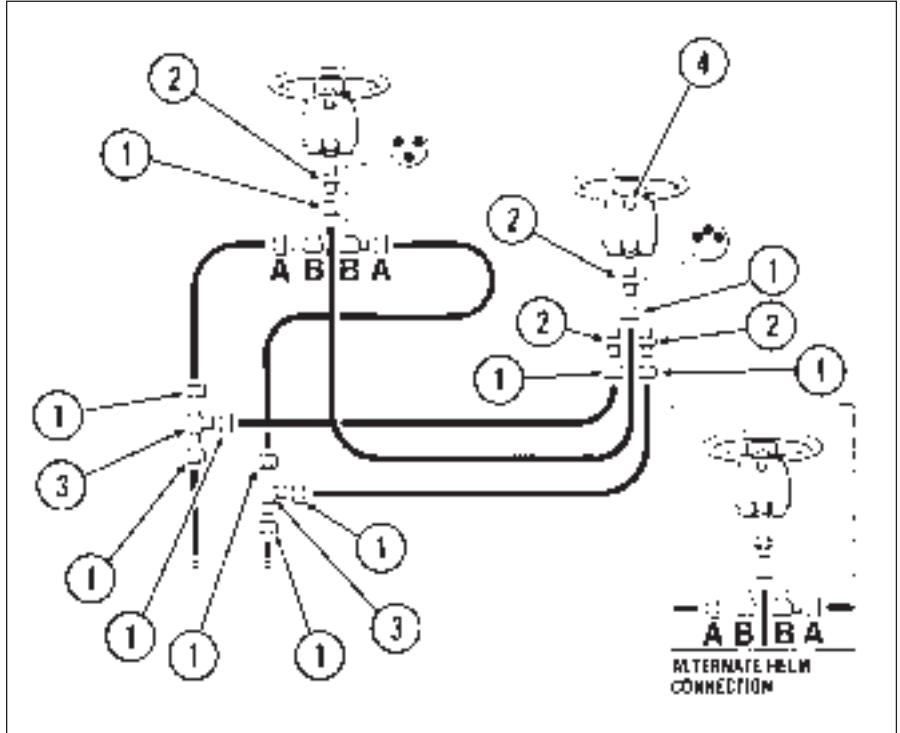
HF5502

Application

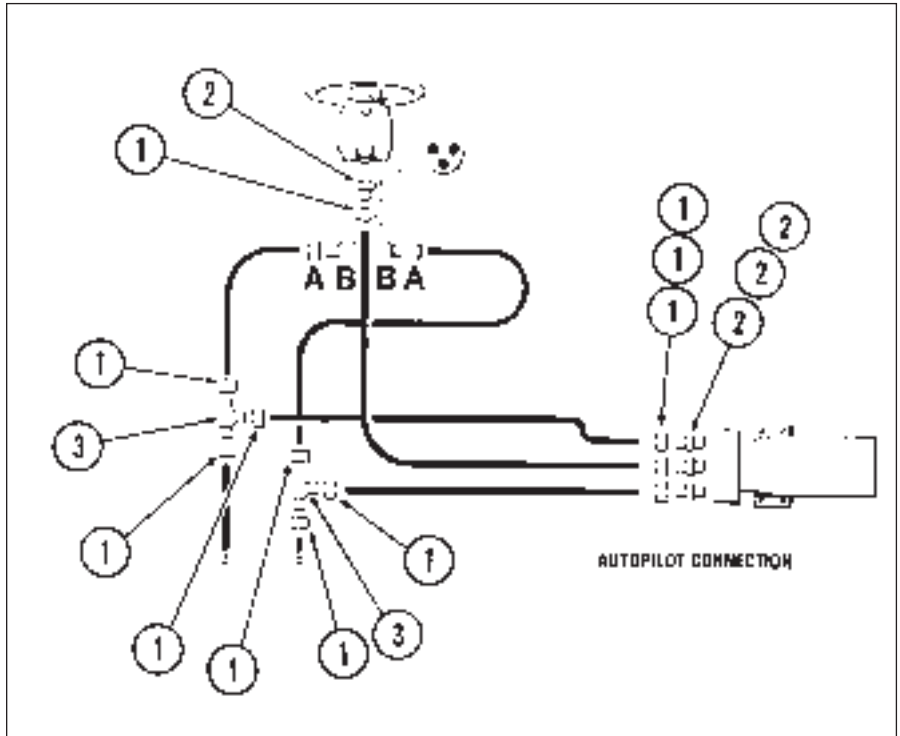
Fitting kit to add a 2nd station or autopilot to an inboard or sterndrive system

ITEM NO.	DESCRIPTION	QUANTITY PER KIT	PART NO.
1	Tube Nut – 3/8" Dia.	10	280327
2	Connector Fitting 3/8" Tube (M) – 1/4" NPT (M)	4	600602
3	Tee Fitting 3 Ends – 3/8" Tube	2	600605
4	Non-Vented Filler Plug	1	HA5432
A*	Tube Nut – 3/8" +Dia.	2	
B*	3/8" Elbow 1/4" NPT (M)	2	

* SUPPLIED WITH HELM
NOTE: USED IN SYSTEMS PLUMBED WITH 3/8" DIAMETER NYLON OR COPPER TUBE



Autopilot powerpack connection



HF5507

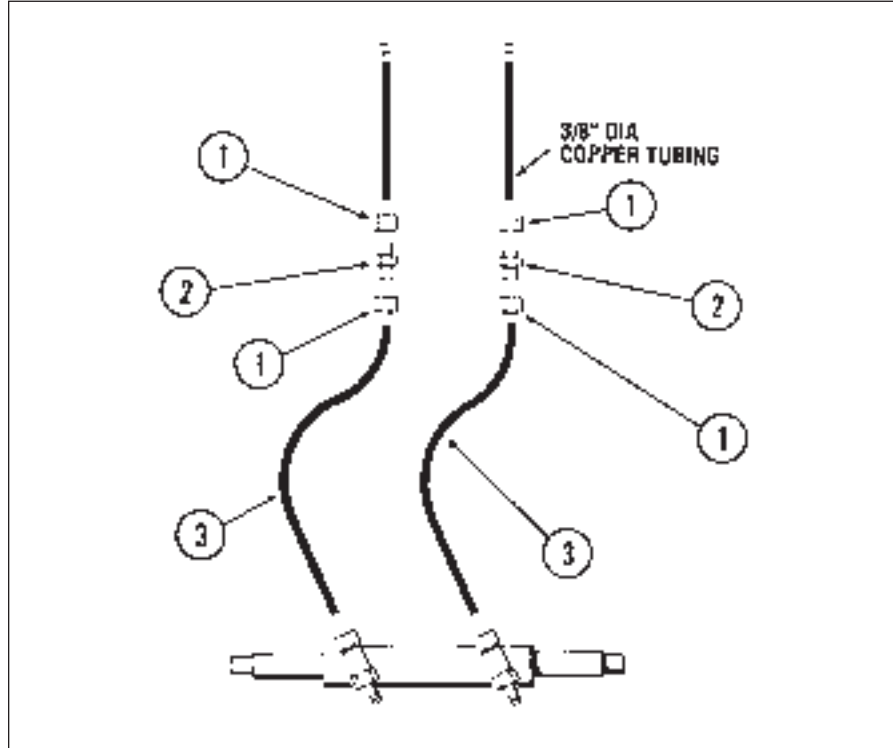
Application

Kit to connect 3/8" diameter copper tubing to SeaStar cylinders (using 3/8" diameter nylon tubing)

ITEM NO.	DESCRIPTION	QUANTITY PER KIT	PART NO.
1	Tube Nut – 3/8" Dia.	4	280327
2	Connector Fitting 3/8" Tube (M) – 3/8" Tube (M)	2	280929
3	Nylon Tubing 3/8" Dia.	6ft	795628

NOTICE

DO NOT use with SeaStar Outboard Cylinders and/or SeaStar Sterndrive cylinder # HC5332.



HF5508

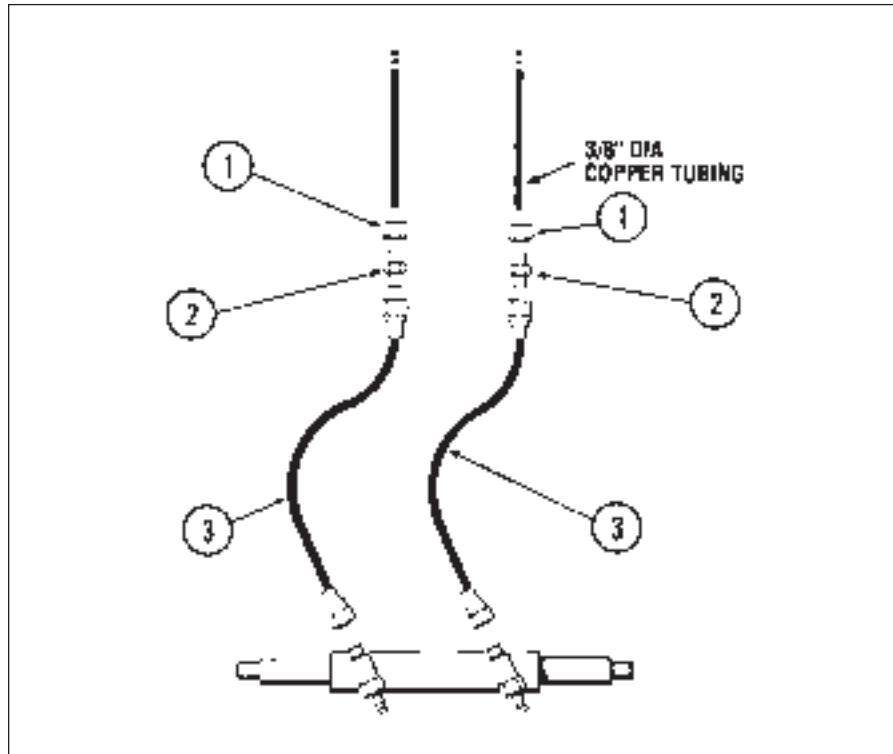
Application

Kit to connect 3/8" diameter copper tubing to SeaStar cylinders (using SeaStar outboard hose)

ITEM NO.	DESCRIPTION	QUANTITY PER KIT	PART NO.
1	Tube Nut – 3/8" Dia.	2	280327
2	Connector Fitting 3/8" Tube (M) – 3/8" Tube (M)	2	280929
3	18" Hose c/w Fittings	2	338621

CAUTION

DO NOT cut SeaStar Outboard Steering hose. Once cut there is no means to field swage fittings to the ends of the hoses.



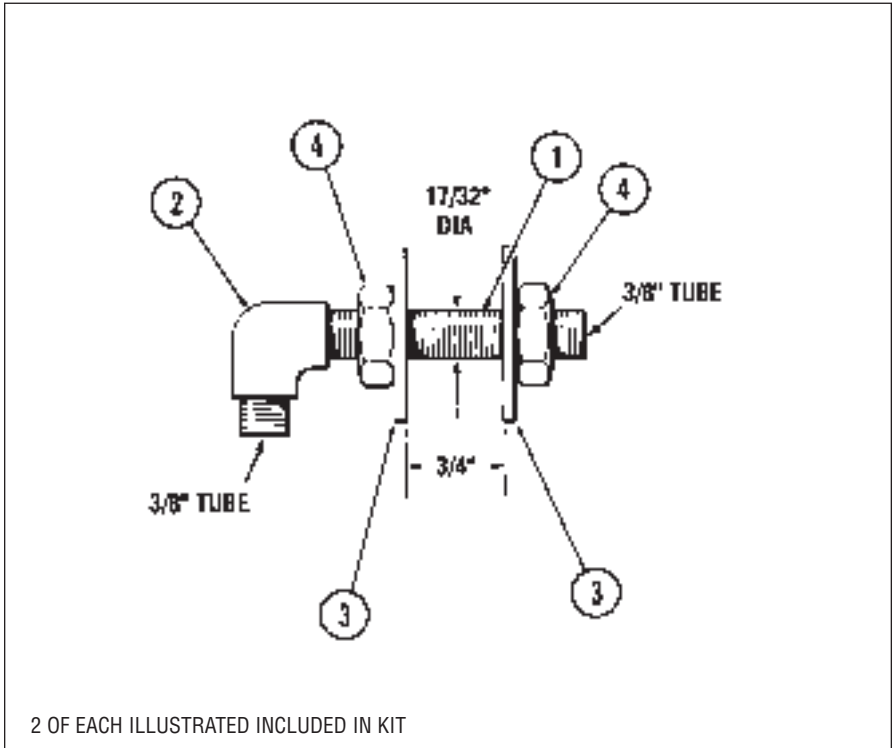
HF5512

3/4" bulkhead fitting kit

Application: Single cylinder installations

2 Assemblies per kit

ITEM NO.	DESCRIPTION	QUANTITY PER KIT	PART NO.
1	Connector Fitting	2	286323
2	Street Elbow 3/8" Tube (M) – 1/4" NPT(F)	2	600606
3	Washer	4	202224
4	Nut	4	191621



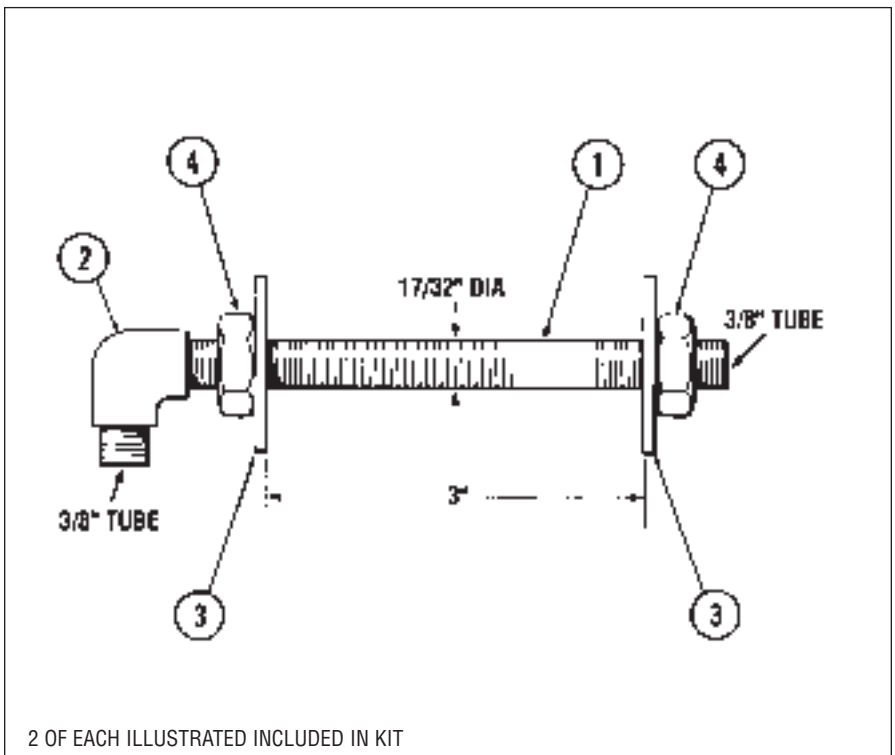
HF5513

3" bulkhead fitting kit

Application: Single cylinder installations

2 Assemblies per kit

ITEM NO.	DESCRIPTION	QUANTITY PER KIT	PART NO.
1	Connector Fitting	2	600608
2	Street Elbow 3/8" Tube (M) – 1/4" NPT(F)	2	600606
3	Washer	4	202224
4	Nut	4	191621

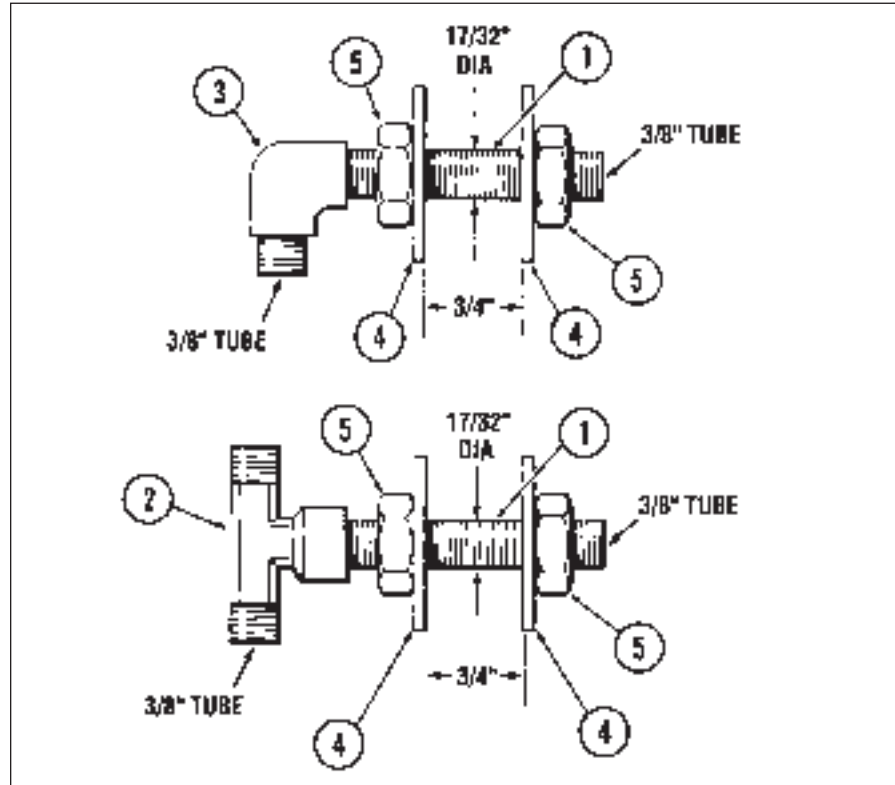


HF5514

3/4" bulkhead fitting kit
Application: Dual cylinder installations

ITEM NO.	DESCRIPTION	QUANTITY PER KIT	PART NO.
1	Connector Fitting	4	286323
2	Tee Fitting 2 Ends - 3/8" Tube (M) Center - 1/4" NPT (F)	2	284826
3	Street Elbow 3/8" Tube (M) - 1/4" NPT (F)	2	600606
4	Washer	8	202224
5	Nut	4	191621

2 OF EACH ILLUSTRATED INCLUDED IN KIT

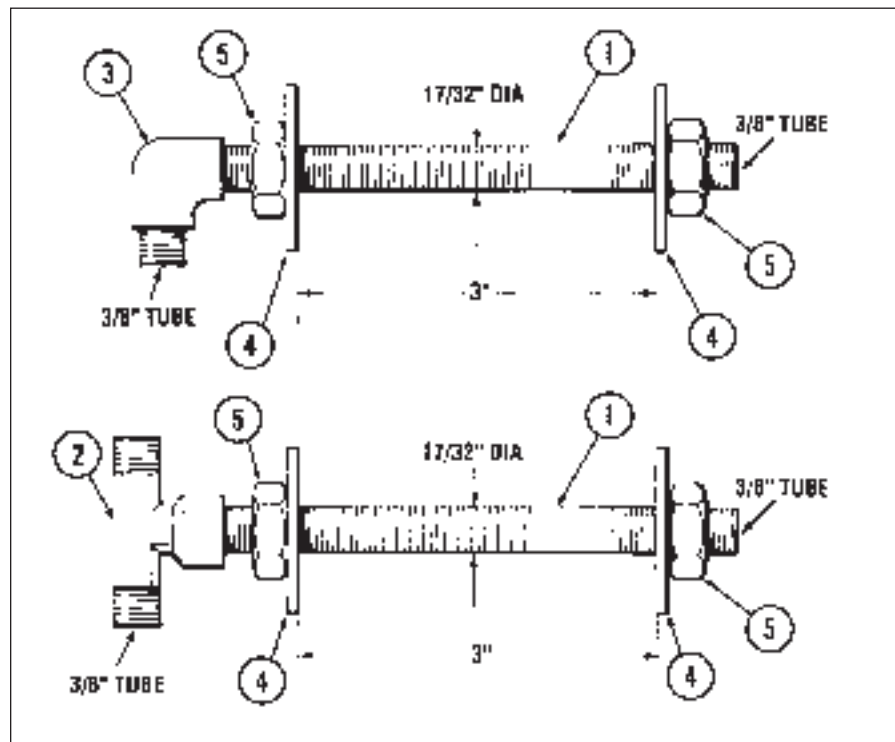


HF5515

3" bulkhead fitting kit
Application: Dual cylinder installations

ITEM NO.	DESCRIPTION	QUANTITY PER KIT	PART NO.
1	Connector Fitting	4	286323
2	Tee Fitting 2 Ends - 3/8" Tube (M) Center - 1/4" NPT (F)	2	284826
3	Street Elbow 3/8" Tube (M) - 1/4" NPT (F)	2	600606
4	Washer	8	202224
5	Nut	4	191621

2 OF EACH ILLUSTRATED INCLUDED IN KIT

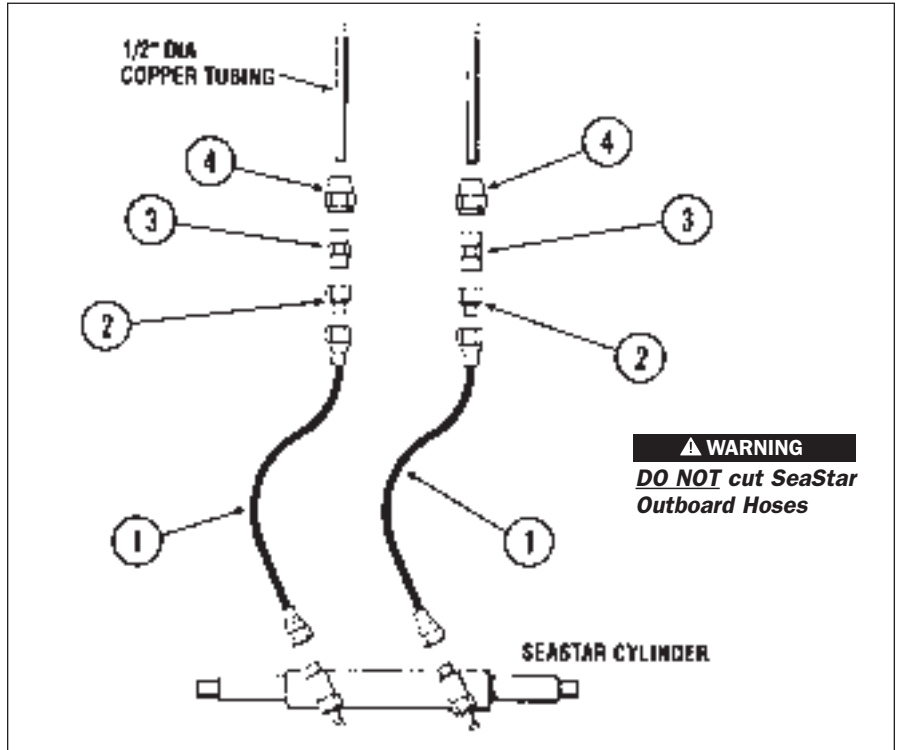


HF5568

Application

Kit to connect 1/2" diameter copper tubing to SeaStar cylinders

ITEM NO.	DESCRIPTION	QUANTITY PER KIT	PART NO.
1	18" Hose Kit	2	338621
2	Connector Fitting 3/8" NPT(F) – 3/8" Tube (M)	2	653624
3	Connector Fitting 1 End – 3/8" NPT(M) 1 End – 1/2" Dia. 45° Flare	2	555421
4	Tube Nut 1/2" Dia. Flare	2	555027



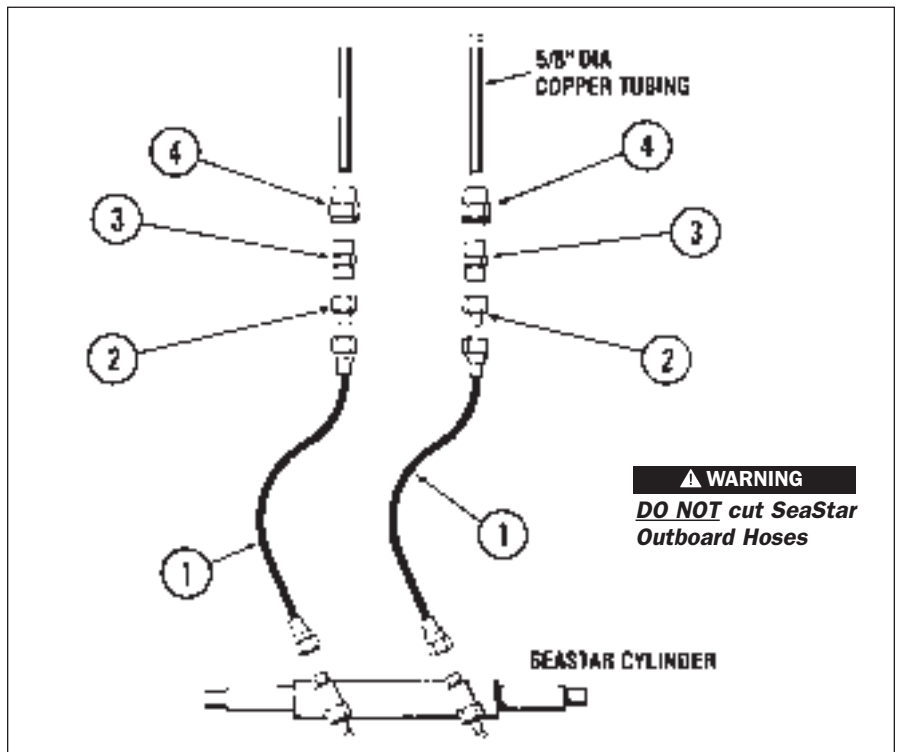
⚠ WARNING
DO NOT cut SeaStar
Outboard Hoses

HF5569

Application

Kit to connect 5/8" diameter copper tubing to SeaStar cylinders

ITEM NO.	DESCRIPTION	QUANTITY PER KIT	PART NO.
1	18" Hose Kit	2	338621
2	Connector Fitting 3/8" NPT(F) – 3/8" Tube (M)	2	653624
3	Connector Fitting 1 End – 3/8" NPT(M) 1 End – 5/8" Dia. 45° Flare	2	288028
4	Tube Nut 5/8" Dia. Flare	2	555121



⚠ WARNING
DO NOT cut SeaStar
Outboard Hoses

⚠ CAUTION

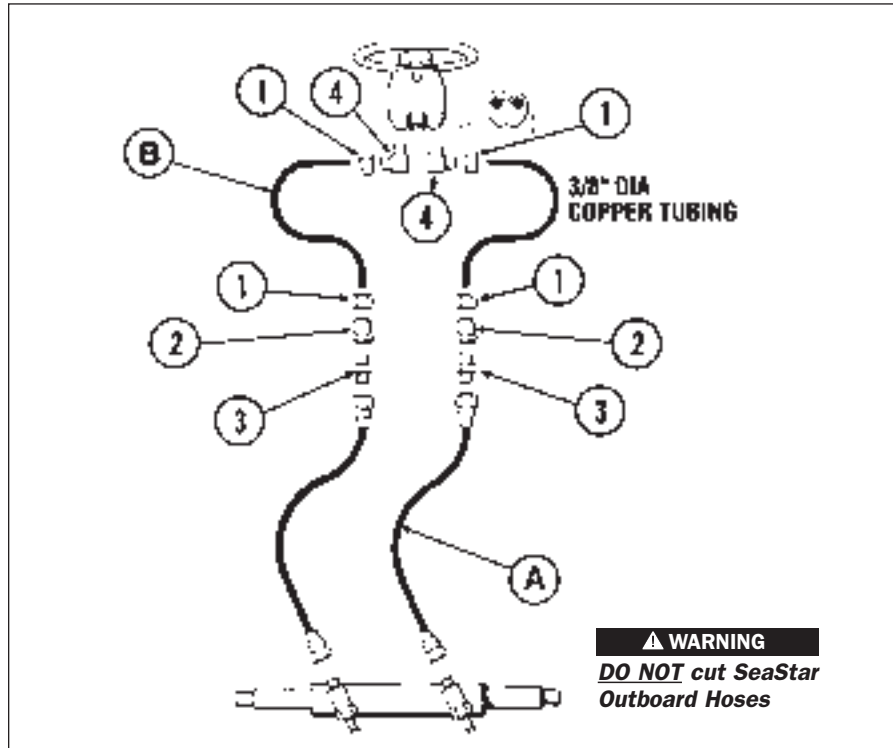
DO NOT cut SeaStar Outboard Steering hose. Once cut there is no means to field swage fittings to the ends of the hoses.

HF5581

Application
45° flare fitting connection kit
for SeaStar systems

ITEM NO.	DESCRIPTION	QUANTITY PER KIT	PART NO.
1	Tube Nut 3/8" Dia. 45° Flare	4	653022
2	Connector Fitting 1 End - 3/8" Dia. 45° Flare (M) 1 End - 3/8" NPT (F)	2	653126
3	Connector Fitting 3/8" Tube (M) - 3/8" NPT (F)	2	600602
4	Elbow 1 End - 1/4" NPT (M) 1 End - 3/8" Dia. 45° Flare (M)	2	288526
A*	Outboard Hose Kit		H051__
B*	Copper Tube 3/8" Dia.		

* NOT SUPPLIED WITH FITTING KIT



⚠ WARNING
DO NOT cut SeaStar
Outboard Hoses

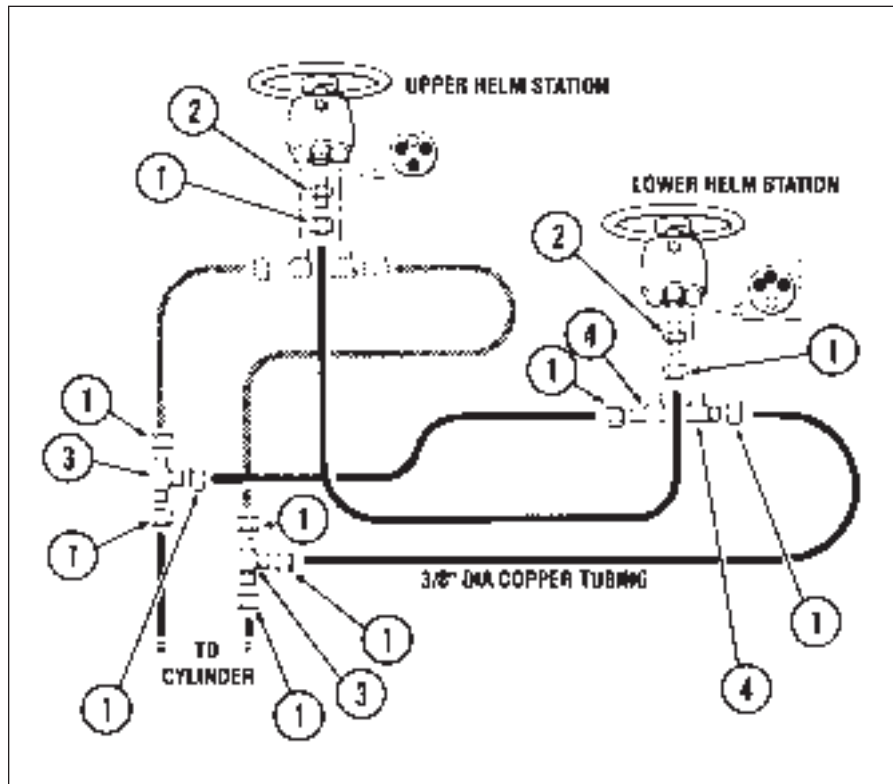
HF5582

Application
Add a station or autopilot kit
using 3/8" 45° flare fittings

ITEM NO.	DESCRIPTION	QUANTITY PER KIT	PART NO.
1	Tube Nut 3/8" Dia. 45° Flare	10	653022
2	Connector Fitting 1 End - 3/8" Dia. 45° Flare (M) 1 End - 1/4" NPT (M)	2	653323
3	Tee Fitting Both Ends - 3/8" Dia. 45° Flare (M)	2	653220
4	Elbow 1 End - 1/4" NPT (M) 1 End - 3/8" Dia. 45° Flare (M)	2	288526

NOTICE

*Fittings for port and starboard lines
in upper station not included.*



SEASTAR LIQUID TIE BAR ALIGNMENT VALVE Part# HA5471-2

NOTICE

If a mechanical tiebar can be used, it is advisable that one is fitted. There is no substitute for a mechanical tiebar

CAUTION

Side Mount or Unbalanced Cylinders, such as SeaStar cylinder HC5370 can only be used with the valve by re-orienting the port engine tilt tube, to allow for mounting cylinder on the port (left) side of the port engine. Cylinder rods must face each other.

WARNING

The use of a standard helm at high speed (55 mph +) or a high load, eg: full throttle forward/reverse, may cause a vacuum in the liquid tie bar and cause engine/rudders to misalign, resulting in momentary loss of steering control. This will not occur if a SeaStar Pro Helm Pump (part # HH5770) is used.

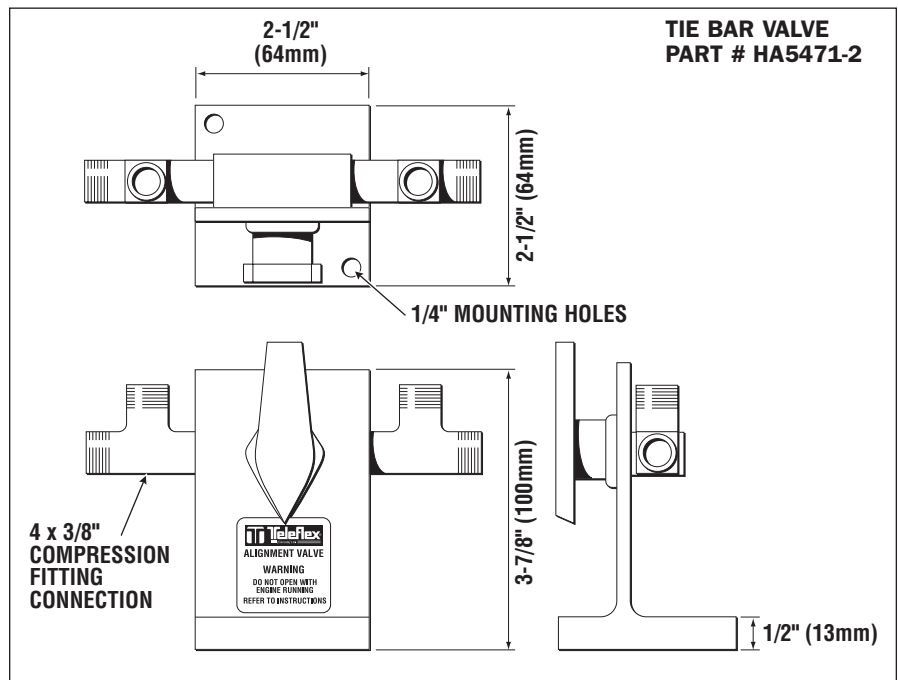
CAUTION

DO NOT allow cylinder body to move (HC5345), or shaft to move back into cylinder (HC5370). DO NOT use a wrench to hold cylinder.

The Cylinder Alignment Valve (part # HA5471-2) will allow for the periodic required realignment of two outboard motors or rudders that are linked together with a Hydraulic Tie Bar as opposed to a solid link or a Mechanical Tie Bar.

Boats exceeding 55 mph must use the SeaStar Pro Helm Pump (part# HH5770) and SeaStar Pro Kevlar Hoses.

Due to the potential for leakage across the piston seals, it is possible for the engines to get out of synchronization. We are unable to predict, due to circumstances beyond our control, the frequency that misalignment may occur, therefore Engine alignment should be checked and corrected as required before leaving the dock.



Cylinder Alignment Valve Bleeding Instructions

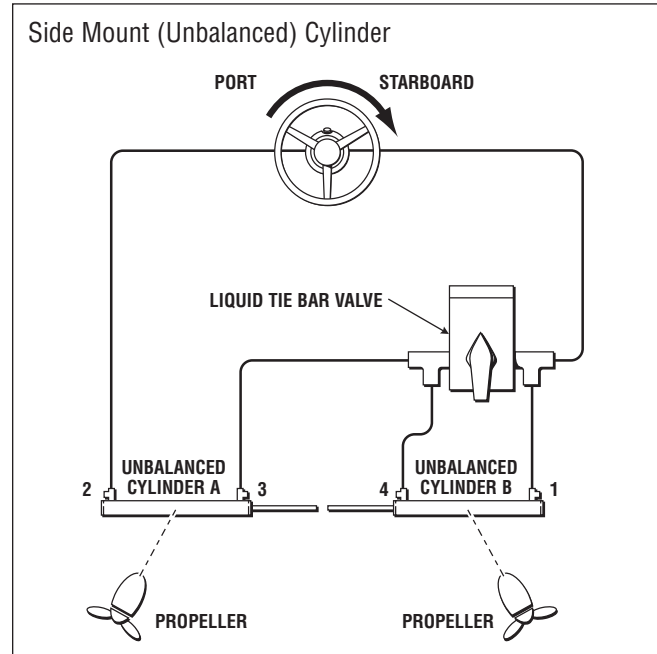
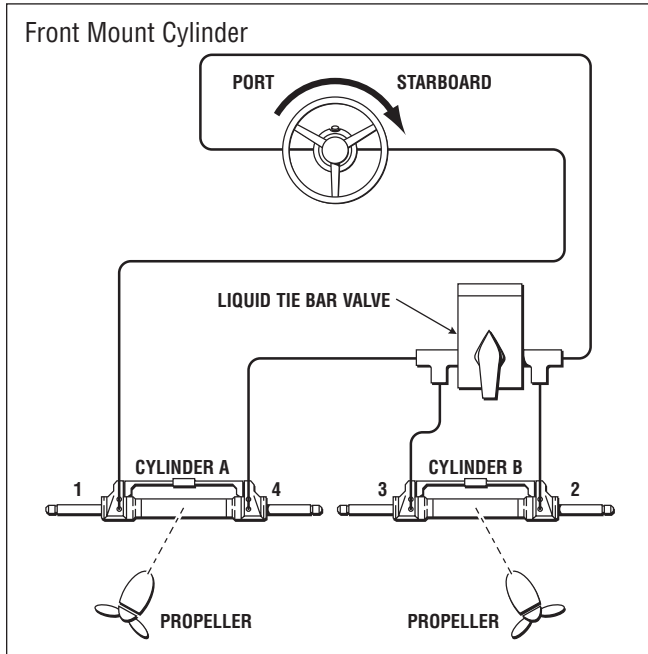
Referencing the cylinder alignment valve installation schematic.

- Fill helm with oil and attach filler device / container to helm
- Open valve
- Open bleed fitting no. 1 and pull cylinder shaft all the way out on fitting no. 1 side of cylinder
- Turn steering wheel clockwise until an air free stream of oil comes forth from bleed fitting no. 1
- Close bleed fitting no. 1
- Open bleed fitting no. 2 and pull cylinder shaft all the way out on fitting no. 2 side of cylinder
- Turn steering wheel counter-clockwise until an air free stream of oil comes forth from bleed fitting no. 2, then close bleed fitting no. 2
- Open bleed fitting no. 3 and pull cylinder shaft all the way out on fitting no. 3 side of cylinder
- Turn steering wheel counter-clockwise until an air free stream of oil comes forth from bleed fitting no. 3, then close bleed fitting no. 3
- Open bleed fitting no. 4 and pull cylinder shaft all the way out on fitting no. 4 side of cylinder
- Turn steering wheel counter-clockwise until an air free stream of oil comes forth from bleed fitting no. 4, then close bleed fitting no. 4
- Turn steering wheel back and forth from hardover to hardover a couple of times. Align cylinders by pulling cylinder rod all the way out on the same side of each cylinder and close valve

Realignment Instructions

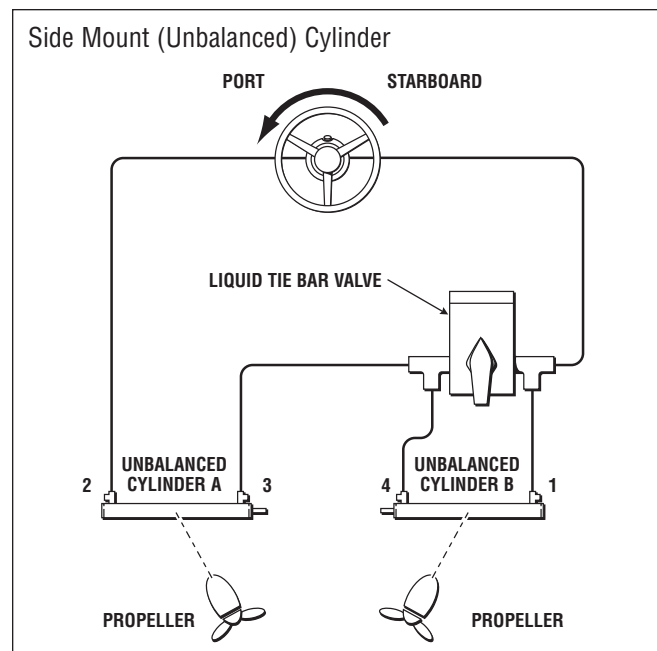
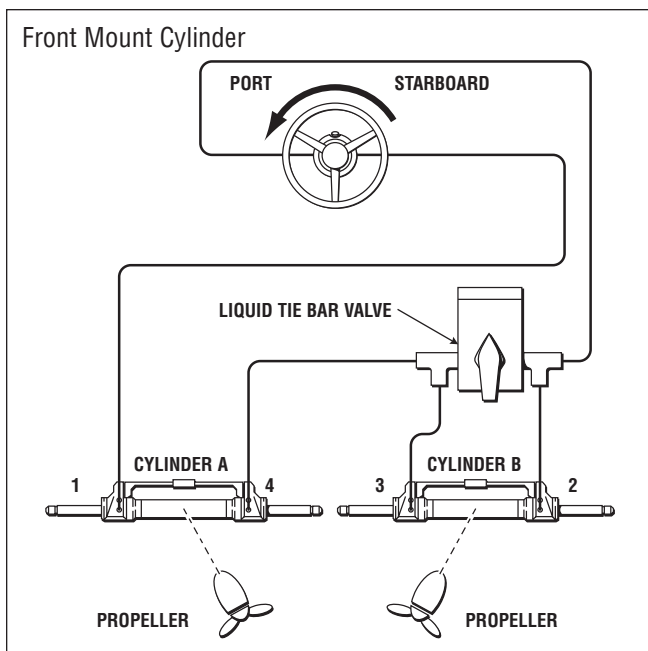
Engines Toe'd Outwards; Props too far apart

- 1 Turn the wheel hard over to Starboard. (Both cylinders move; cylinder B reaches hard over first)
- 2 Open the valve
- 3 Continue to turn the wheel hard over to Starboard. (Only cylinder A moves and reaches hard over)
- 4 Close the valve



Engines Toe'd Inwards; Props too close together

- 1 Turn the wheel hard over to Port. (Both cylinders move; cylinder B reaches hard over first)
- 2 Open the valve
- 3 Continue to turn the wheel hard over to Port. (Only cylinder A moves and reaches hard over)
- 4 Close the valve



TOOLS AND TORQUE DATA SHEETS

SeaStar Power Purge JR.

Part# HA5445-2



SeaStar®/BayStar™ Power Purge Jr. is the quickest way to bleed a SeaStar®/BayStar™ system in the field and assure a rock-solid steering feel every time!

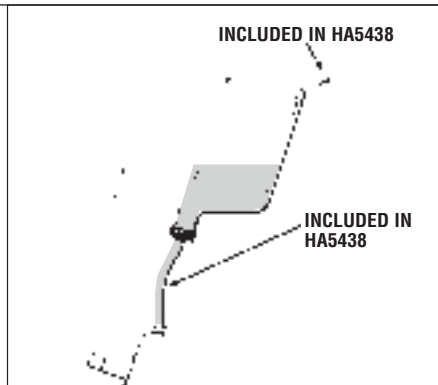
The Power Purge Jr. reduces installation and warranty costs while enhancing the quality of the boat to the end user. A typical manual fill and purge takes the average experienced installer or service technician about 30 minutes per boat — by using the Power Purge Jr. this can be reduced to 10 minutes or less.

Advantages:

- Steering feel is solid every time
- Complete Fill & Purge in 10 minutes or less
- Fast and efficient
- Easy to operate
- Screens contaminants from oil
- Quick connect fittings
- Convenient portable size
- Convenient electrical hook-up utilizing 12 volt boat battery
- Optional Dual Cylinder Purging Kit HA5461 available
- Optional 50' Hose Extension Kit HA5462, for those longer runs

SeaStar Bleed Hose

Part# HA5438



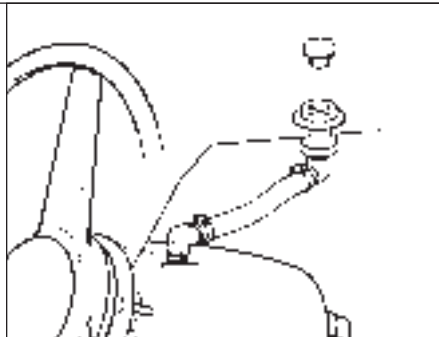
- This kit is needed to properly bleed the SeaStar Outboard steering kit
- Screws onto the SeaStar and equivalent fluid to bleed the SeaStar system
- Makes for a clean bleed when used properly

SeaStar Remote Fill

Part# HA6450

NOTICE

requires 3/4" hole to be drilled onto dash above helm pump.



- Can be used with ALL SeaStar Helm pumps
- Relocate your fill plug to a more convenient or hidden place

SeaStar Front Mount Gland Removal Tool

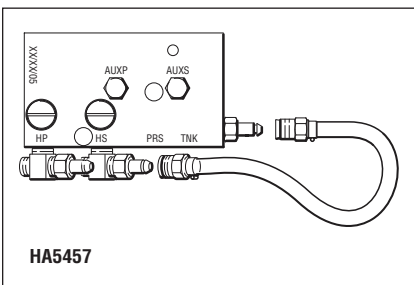
Part# 745225



- Makes changing the end glands on the front mount cylinder easy.
- Avoid damage to the gland by using the proper tool.
- Lightweight and durable.

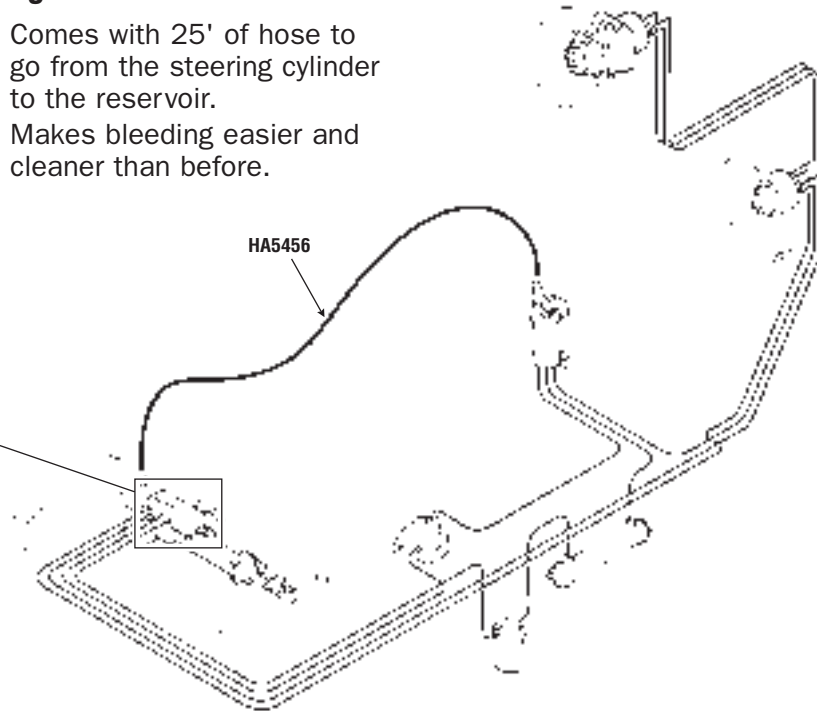
SeaStar Power Steering Purge Kit Part# HA5457

- Makes bleeding even easier than before.
- Central bleeding location—no need to run hoses to reservoir.
- Can only be used with Power Steering Cylinders made after October 2005.



SeaStar Power Steering Purge Kit Part# HA5456

- Comes with 25' of hose to go from the steering cylinder to the reservoir.
- Makes bleeding easier and cleaner than before.



SeaStar Helm Pump Drill Jigs

HA5405 Mounting washer for SeaStar helm studs for applications where the dashboard hole is 3-1/4 inches in diameter.

HA5465 Pilot Drill Jig for enlarging a 2 inch diameter dashboard hole to a 3 inch diameter hole. As required for all standard SeaStar and SeaStar Pro helms when using a standard 3 inch diameter hole saw.

HA5466 Drill Jig for drilling mounting holes for standard SeaStar and SeaStar Pro helms. A 3 inch dashboard hole is required.

HA5467 Drill Jig for drilling mounting holes for standard SeaStar and SeaStar Pro helms where dashboard has a 3-1/4 inch hole from a previously mounted mechanical helm.

HA5468 Drill Jig for drilling mounting holes for SeaStar and SeaStar Pro traditional tilt helms (HH5741, HH5742, HH5743). Also back Mount Kit (HA5418). A 4-1/2 inch dashboard hole is required.



HA5405



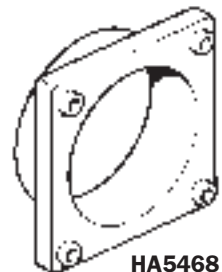
HA5465



HA5466



HA5467



HA5468

Steering Torque Data Sheet

DISPLACEMENT HULLS ONLY

NAME: _____

CONTACT: _____

HULL DATA POWER DATA

HULL DIMENSIONS:

LDA _____ SAIL _____
 BEAM _____ OTHER _____
 DISPLACEMENT _____ TOP SPEED _____
 DRAFT _____ USE: _____

EACH SHAFT HORSEPOWER

PROP DIAMETER:

SINGLE ENGINE _____
 TWIN ENGINE _____

NO STEERING STATIONS

RUDDER DATA

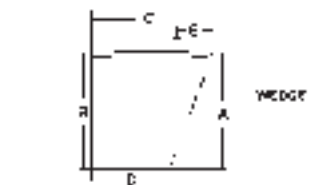


RUDDER ARC (Midship to Hardover): _____ Degree

RUDDER AREA: _____ Square Ft.

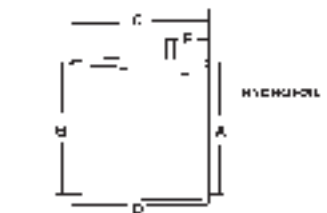
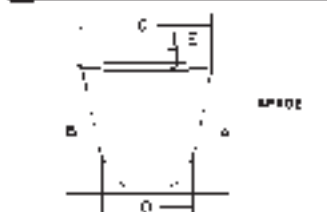
NO. RUDDERS One Two

CIRCLE TYPE OF RUDDER



RUDDER DIMENSIONS:

(A) Height _____ In.
 (B) Height _____ In.
 (C) Width _____ In.
 (D) Width _____ In.
 (E) Counter-balance _____ In.



NOTICE

Please include a detailed drawing of your rudder to assist with rudder load calculations.

Rudder Torque Data Sheet

To: _____
 Phone Number: _____
 Fax Number: _____
 From: _____
 Date: _____

PLANING HULLS ONLY

NAME: _____ BUILDER: _____
 ADDRESS: _____ DESIGNER: _____
 BOAT NAME: _____
 NO. STEERING STATIONS: _____

HULL DATA

POWER DATA

HULL DIMENSIONS:

LOA _____ SAIL _____
 BEAM _____ OTHER _____
 DISPLACEMENT _____ TOP SPEED _____
 DRAFT _____ USE _____

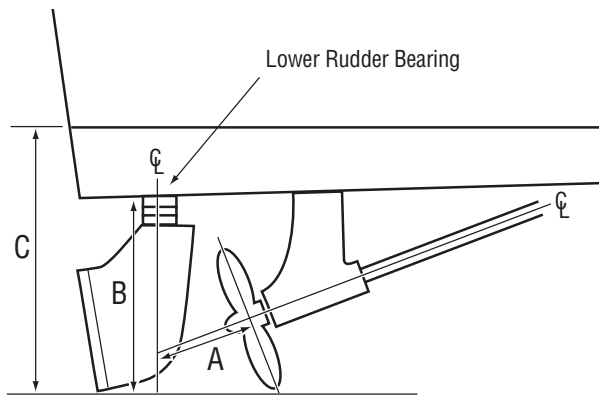
EACH SHAFT HORSEPOWER _____

PROP DIAMETER: _____
 SINGLE ENGINE _____
 TWIN ENGINE _____

DATA

FORMULA

Projected area of rudder = $(H+W) - (C+B)$



A = Perpendicular distance from the rudder shaft to the propeller.
B = Distance parallel to rudder shaft from rudder base to center of lower rudder bearing.
C = Perpendicular distance from waterline to rudder base.
Note: Formula presumes 23-27% counterbalance

Boat speed:..... knots
 Number of rudders:.....
 Rudder area (projected area):..... square feet
 Propeller diameter: feet
 Perpendicular distance from the rudder shaft to the propeller: feet
 Distance measured parallel to the rudder shaft from the base of the rudder to the center of the lower bearings: feet
 Average rudder chord length:..... feet
 Perpendicular distance from the waterline to the rudder base:..... feet
 Rudder shaft diameter: inches
 Shaft power:..... horsepower

NOTICE

Please include a detailed drawing of your rudder to assist with rudder load calculations.

PLEASE TAKE A MOMENT TO COMPLETE THIS FORM AND RETURN IT VIA FAX TO: 604-279-2202

CHAPTER
11

BayStar™ SeaStar® Hynautic

HYDRAULIC FLUID

SeaStar hydraulic steering systems require the use of a special high quality hydraulic fluid meeting MIL SPEC H-5606 G. This fluid is available in 1 liter (33.8 US fluid ounce) bottles as:

SeaStar Hydraulic Fluid: **Part Number HA5430 - 1 Litre**
HA5440 - 4 Litres

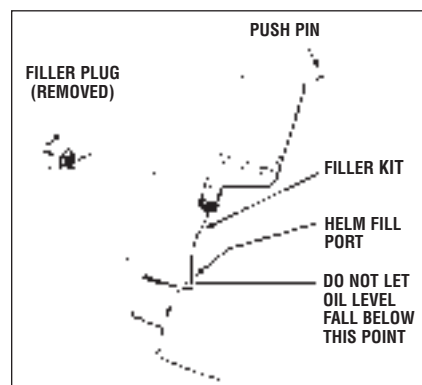


Alternate recommended hydraulic fluids for SeaStar steering systems.

Oil Manuf.	Brand Name
SeaStar	SeaStar oil part# HA5430
Shell	Aero Shell Fluid #41
Esso	Univis N15 or J13
Texaco	H015
Chevron	Aviation Hydraulic Fluid A
Mobil	Aero HFA
Petro Canada	Harmony HV115 (In Canada Only)

Optional Filler Kit

Part# HA5438



CAUTION

Substitution of non-recommended fluids may result in heavier steering and/or irreparable damage to your steering system.

NOTICE

SeaStar Hydraulic Steering Fluid can be used in Hynautic, BayStar and BayStar Plus steering systems.

NOTICE

Help protect your boating environment by ensuring that all used oil is disposed of properly.

CHAPTER
12

SeaStar **Hynautic**
VOLUMES & CAPACITIES

NOTICE

Contact your nearest dealer or distributor to order replacement parts.

SeaStar Helm Pump Shaft Details:

Taper: 3/4" Standard Taper (1" PER FOOT), **WHEEL SHAFT Threads:** 5/8" - 18 UNF, **Key:** #606 Woodruff Key (3/16"), **PORT SIZES:** 1/4" NPT (F)

Table A: SeaStar/Hynautic Helm Pumps

HELM DESCRIPTION	PART NUMBER	DISPLACEMENT CU. IN./REV (cc)	RELIEF VALVE SETTING PSI (BAR)	MAXIMUM WHEEL DIA. INCHES (mm)	SEAL KIT	SHAFT SEAL
SEASTAR 1.4 – STANDARD MOUNT	HH5269	1.4 (23.0)	1000 (70)	26 (660)	HS5176	225226
SEASTAR 1.4 – REAR MOUNT	HH5260	1.4 (22.9)	1000 (70)	26 (660)	HS5176*	225226*
SEASTAR 1.4 – REAR MOUNT FULL FEEDBACK	HH5231	1.4 (23.0)	1000 (70)	26 (660)	HS5176	225226
SEASTAR 1.4 – REAR MOUNT 1" STRAIGHT SHAFT	HH5279	1.4 (23.0)	1000 (70)	26 (660)	HS5151	225320
SEASTAR 1.4 – REAR MOUNT 1" TAPERED SHAFT	HH5280	1.4 (23.0)	1000 (70)	26 (660)	HS5151	225320
SEASTAR 1.4 – TILT	HH5744	1.4 (23.0)	1000 (70)		HS5176	225226
SEASTAR 1.7 – STANDARD FRONT MOUNT	HH5271	1.7 (27.8)	1000 (70)	26 (660)	HS5176*	225226*
SEASTAR 1.7 – STANDARD MOUNT FULL FEEDBACK	HH5761	1.7 (27.8)	1000 (70)	26 (660)	HS5176	225226
SEASTAR 1.7 – REAR MOUNT	HH5261	1.7 (27.8)	1000 (70)	26 (660)	HS5176*	225226*
SEASTAR 1.7 – REAR MOUNT 1" TAPERED SHAFT	HH5281	1.7 (27.8)	1000 (70)	26 (660)	HS5151	225320
SEASTAR 1.7 – TRADITIONAL TILT	HH5741	1.7 (27.8)	1000 (70)	20 (508)	HS5176*	225226*
SEASTAR 1.7 – SPORT TILT	HH5291	1.7 (27.8)	1000 (70)	26 (660)	HS5176*	225226*
SEASTAR PRO 1.7 – STANDARD MOUNT	HH5779	1.7 (27.8)	1500 (103)	26 (660)	HS5176	225226
SEASTAR PRO 1.7 – REAR MOUNT	HH5778	1.7 (27.8)	1500 (103)	26 (660)	HS5176	225226
SEASTAR PRO 1.7 – TILT	HH5773	1.7 (27.8)	1500 (103)		HS5176	225226
SEASTAR – 2.0 STANDARD FRONT MOUNT	HH5273	2.0 (33.0)	1000 (70)	26 (660)	HS5176*	225226*
SEASTAR – 2.0 STANDARD MOUNT FULL FEEDBACK	HH5760	2.0 (33.0)	1000 (70)	26 (660)	HS5176	225226
SEASTAR PRO 2.0 – STANDARD FRONT MOUNT	HH5770	2.0 (33.0)	1500 (103)	26 (660)	HS5176*	225226*
SEASTAR PRO 2.0 – REAR MOUNT	HH5771	2.0 (33.0)	1500 (103)	26 (660)	HS5176	225226
SEASTAR PRO 2.0 – TRADITIONAL TILT	HH5774	2.0 (33.0)	1500 (103)	20 (508)	HS5176*	225226*
SEASTAR PRO 2.0 – SPORT TILT	HH5290	2.0 (33.0)	1500 (103)	20 (508)	HS5176*	225226*
SEASTAR 2.4 – STANDARD FRONT MOUNT	HH5272	2.4 (39.3)	1000 (70)	26 (660)	HS5176*	225226*
SEASTAR 2.4 – STANDARD MOUNT FULL FEEDBACK	HH5762	2.4 (39.3)	100 (70)	26 (660)	HS5176	225226
SEASTAR 2.4 – REAR MOUNT	HH5262	2.4 (39.3)	1000 (70)	26 (660)	HS5176*	225226*
SEASTAR 2.4 – REAR MOUNT 1" TAPERED SHAFT	HH5282	2.4 (39.3)	1000 (70)	26 (660)	HS5151	225320
SEASTAR 2.4 – TRADITIONAL TILT	HH5742	2.4 (39.3)	1000 (70)	20 (508)	HS5176*	225226*
SEASTAR 2.4 – SPORT TILT	HH5292	2.4 (39.3)	1000 (70)	26 (660)	HS5176*	225226*
SEASTAR PRO 2.4 – STANDARD MOUNT	HH5772	2.4 (39.3)	1500 (103)	26 (660)	HS5176*	225226*

* SeaStar Helm Pumps manufactured from 1984 through 1990 require Seal Kit #HS5151 or individual Shaft Seal #225320

HELM DESCRIPTION	PART NUMBER	DISPLACEMENT CU. IN./REV (cc)	SHAFT STYLE	KEY WAY	SEAL KIT
HYNAUTIC	H-21	2.75 (45.1)	1" STRAIGHT	1/4" SQUARE	HS-02
HYNAUTIC	H-25	2.75 (45.1)	3/4" TAPERED	#9 WOODRUFF	HS-02
HYNAUTIC	H-26	2.00 (32.8)	3/4" TAPERED	#9 WOODRUFF	HS-02
HYNAUTIC	H-41	5.50 (90.1)	1" STRAIGHT	1/4" SQUARE	HS-04
HYNAUTIC	H-42	4.00 (65.5)	1" STRAIGHT	1/4" SQUARE	HS-04
HYNAUTIC	H-42-2	4.00 (65.5)	3/4" TAPERED	#9 WOODRUFF	HS-04

NOTICE

Theoretical torque about pivot point at 35 degrees articulation with 1000 psi (70 bar) system pressure.

Table B: SeaStar/Hynautic Cylinders

CYLINDER MODEL	PART NUMBER	BORE DIAMETER IN (mm)	NOMINAL SHAFT DIA IN (mm)	STROKE IN (mm)	SEAL KIT	VOLUME CUBIC IN (cc)	TORQUE (See Notice) IN-LB (KG-M)
BAYSTAR COMPACT	HC4645H	1.25 (31.7)	0.63 (16.0)	8 (203)	N/A	7.24 (118.6)	N/A
BAYSTAR COMPACT	HC4658H	1.25 (31.7)	0.63 (16.0)	8 (203)	N/A	7.24 (118.6)	N/A
BAYSTAR COMPACT	HC4647H	1.25 (31.7)	0.63 (16.0)	8 (203)	N/A	7.24 (118.6)	N/A
BAYSTAR COMPACT	HC4648H	1.25 (31.7)	0.63 (16.0)	8 (203)	N/A	7.24 (118.6)	N/A
BA125-3ATM	HC5303	1.25 (31.7)	0.63 (16.0)	3 (76)	HS5154	2.72 (44.5)	N/A
BA125-6.25ATM	HC5311	1.25 (31.7)	0.63 (16.0)	6.25 (159)	N/A	5.66 (92.7)	N/A
BA135-7	HC5332	1.37 (34.9)	0.625 (15.9)	7 (178)	HS5155	8.3 (135.2)	5741 (66.1)
BA125-7ATM	HC5312	1.25 (31.7)	0.50 (12.7)	7 (178)	HS5154	7.2 (118.2)	5025 (57.9)
BA135-7ATM	HC5313	1.375 (34.9)	0.625 (15.9)	7 (178)	HS5155	8.3 (135.2)	5741 (66.1)
BA135-8EM	HC5327	1.35 (34.2)	0.63 (16.0)	8 (203)	HS5155	9.5 (155.4)	6557 (75.5)
BA150-7ATM	HC5314	1.50 (38.1)	0.625 (15.9)	7 (178)	HS5156	10.2 (167.5)	7117 (82.0)
BA150-7TM	HC5318	1.50 (38.1)	0.625 (15.9)	7 (178)	HS5182	10.2 (167.5)	7117 (82.0)
BA175-7TM	HC5319	1.75 (44.4)	0.75 (19.0)	7 (178)	HS5183	13.7 (225.4)	9569 (110.2)
BA135-7EM	HC5332	1.375 (34.9)	0.625 (15.9)	7 (178)	HS5155	8.3 (135.2)	5741 (66.1)
BA150-7EM	HC5326	1.50 (38.1)	0.625 (15.9)	7 (178)	HS5156	10.2 (167.5)	8853 (102.0)
BA150-9TM	HC5369	1.50 (38.1)	0.625 (15.9)	9 (229)	HS5182	13.1 (214.7)	9375 (107.7)
BA175-9TM	HC5373	1.75 (44.4)	0.75 (19.0)	9 (229)	HS5183	17.7 (290.0)	12600 (145.5)
BA200-11TM	HC5378	2.00 (50.8)	0.75 (19.0)	11 (279)	HS5185	26.0 (426)	23140 (267.2)
BA200-11TMC	HC5379	2.00 (50.8)	0.75 (19.0)	11 (279)	HS5185	26.0 (426)	23140 (267.2)
BA200-9	HC5802	2.00 (50.8)	0.75 (19.0)	9 (229)	HS5198	21.25 (348.2)	18900 (218.3)
BA200-11	HC5804	2.00 (50.8)	0.75 (19.0)	11 (279)	HS5198	26.0 (426)	23140 (267.2)
125-8EM	HC5328	1.25 (31.7)	0.50 (12.7)	8 (203)	HS5154	8.3 (135.2)	7142 (82.3)
92VPS	HC5331	1.25 (31.7)	0.50 (12.7)	8 (203)	HS5153	8.3 (135.2)	N/A
BA125-8EMV	HC5330	1.25 (31.7)	0.50 (12.7)	8 (203)	HS5154	8.3 (135.2)	7142 (82.3)
PIVOT MOUNT	HC5345	1.375 (35)	0.75 (19.0)	8 (203)	HS5157	8.34 (136.6)	N/A
PIVOT MOUNT	HC5347	1.375 (35)	0.75 (19.0)	8 (203)	HS5157	8.34 (136.6)	N/A
PIVOT MOUNT	HC5348	1.375 (35)	0.75 (19.0)	8 (203)	HS5157	8.34 (136.6)	N/A
PIVOT MOUNT	HC5358	1.375 (35)	0.75 (19.0)	8 (203)	HS5157	8.34 (136.6)	N/A
FRONT MOUNT	HC5342	1.262 (32.56)	0.75 (19.0)	10 (254)	HS5157	8.13 (133.2)	N/A
SIDE MOUNT	HC5370	1.25 (31.7)	0.50 (12.7)	8 (203)	HS5153	8.3 (135.2)	N/A
SPLASHWELL MOUNT	HC5380	1.25 (31.7)	0.50 (12.7)	9 (228)	HS5155	9.3 (152.1)	N/A
CATAMARAN O/B	HC5343	1.262 (32.0)	0.75 (19.0)	10 (254)	HS5157	8.13 (133.2)	N/A
CATAMARAN O/B	HC5374	1.50 (38.1)	0.75 (19.0)	10 (254)	KS-06	13.3 (217.95)	8990 (103.8)
HYNAUTIC	K-5	1.50 (38.1)	0.875 (22.2)	9.0 (229)	KS-15	15.9 (260.5)	10790 (124.6)
HYNAUTIC	K-8	2.50 (63.5)	1.000 (25.4)	9.5 (241)	KS-18	39.2 (642.4)	26575 (306.9)
HYNAUTIC	K-9	2.50 (63.5)	1.000 (25.4)	14.5 (368)	KS-18	55.0 (901.3)	39850 (460.2)
HYNAUTIC	K-18	1.25 (31.7)	0.625 (15.9)	7.0 (178)	KS-02	7.0 (114.7)	5972 (68.8)
HYNAUTIC	K-19	1.25 (31.7)	0.625 (15.9)	9.0 (229)	KS-02	9.0 (147.5)	7685 (88.54)
HYNAUTIC	K-22	1.50 (38.1)	0.750 (19.0)	10.0 (254)	KS-04	13.3 (217.9)	8990 (103.8)
HYNAUTIC	K-27	1.50 (38.1)	0.750 (19.0)	10.0 (254)	KS-04	13.3 (217.9)	8990 (103.8)
HYNAUTIC	K-31	2.00 (50.8)	0.875 (22.2)	10.0 (254)	KS-05	25.5 (417.9)	17320 (200.0)
TOURNAMENT SERIES	HC6750	1.375	0.75 (19.0)	8 (203)	HS5157	8.3 (135.2)	N/A
TOURNAMENT SERIES	HC6751	1.375	0.75 (19.0)	8 (203)	HS5157	8.3 (135.2)	N/A
TOURNAMENT SERIES	HC6752	1.375	0.75 (19.0)	8 (203)	HS5157	8.3 (135.2)	N/A
TOURNAMENT SERIES	HC6753	1.375	0.75 (19.0)	8 (203)	HS5157	8.3 (135.2)	N/A
TOURNAMENT SERIES	HC6754	1.375	0.75 (19.0)	8 (203)	HS5157	8.3 (135.2)	N/A
TOURNAMENT SERIES	HC6755	1.375	0.75 (19.0)	8 (203)	HS5157	8.3 (135.2)	N/A

NOTICE

Theoretical torque about pivot point at 35 degrees articulation with 1000 psi (70 bar) system pressure.

CHAPTER
13

DISTRIBUTOR LIST

CANADA

ALBERTA

Coast Distribution (Wholesale)
707 Barlow Trail SE, Bay C
Calgary, Alberta
Canada
Tel: (403) 273-9066 Fax: (403) 273-8340

BRITISH COLUMBIA

Anchorage Holdings
1520 Stewart Avenue
Nanaimo
British Columbia
V9 4E1
Canada
Tel: (250) 754-5587 Fax: (250) 754-7144
Toll Free: 1-800-661-5353

Payne's Marine Supply Inc.
1856 Quadra Street
Victoria
British Columbia
V8T 4B9
Canada
Tel: (250) 382-7722 Fax: (250) 382-4043
www.paynesmarine.com

Payne's Marine Supply Inc.
1853 Meredith Road
Campbell River
British Columbia
V9W 4R7
Canada
Tel: (250) 286-6263 Fax: (250) 286-0171
www.paynesmarine.com

Payne's Marine Supply Inc.
201 - 3765 E. First Avenue
Burnaby
British Columbia
V5C 3V8
Canada
Tel: (604) 299-7771 Fax: (604) 299-3471
www.paynesmarine.com

Western Marine Company
1494 Powell Street Vancouver
British Columbia
V5L 5B5
Canada
Tel: (604) 253-7721 Fax: (604) 253-2656
Toll Free: 800-663-0600
e-mail: sales@westernmarine.com
www.westernmarine.com

MANITOBA

Outboard Rebore
Trans Canada Hwy East & PR 207
Box 2722
Winnipeg
Manitoba
R3C 4B3
Canada
Tel: 204-222-3782 Fax: 204-224-2826

NEWFOUNDLAND

Mercer's Marine Equipment
Marine Drive
Clareville
Newfoundland
A0E 1J0
Canada
Tel: (709) 466-7430 Fax: (709) 466-3279
e-mail: scott.mercer@nf.sympatico.ca
www.mercersmarine.com

NOVA SCOTIA

Stright-MacKay Ltd.
Harbour Drive P.O. Box 1030
Pictou
Nova Scotia
B0K 1H0
Canada
Tel: (902) 928-1900 Fax: (902) 485-8779
e-mail: info@stright-mackay.com
www.stright-mackay.com

ONTARIO

Barclay's Marine
131 Caldari Rd. Unit #2
Vaughan
Ontario
L4K 3Z9
Canada
Tel: 905-669-0090 Fax: 800-959-1696
Toll Free: 800-959-5926

C.C. Marine Distribution Ltd.
300 Enford Road
Richmond Hill
Ontario
L4C 3E8
Canada
Tel: (905) 883-4300

Hutchings Marine
1594 Winhara Road
Gravenhurst
Ontario
P1P 1R0
Canada
Tel: 705-684-9709 Fax: 705-684-9325
e-mail: hutching@vianet.on.ca
www.hutchingsmarine.com

Kimpex Action
311 Soversion Rd.
London
Ontario
N6M 1A6
Canada
Tel: 519-659-0508 Fax: 519-659-6428

Payne's Marine Supply
2360 Industrial St.
Burlington
Ontario
L7P 1A1
Canada
Tel: 905-332-8291 Fax: 905-332-0557
www.paynesmarine.com

PRINCE EDWARD ISLAND

Mermaid Marine Engines
26 Fourth Street
Charlottetown
Prince Edward Island
C1E 2B3
Canada
Tel: (902) 566-1220 Fax: (902) 368-3660
Toll Free: 800-565-0231
e-mail: mail@mermaidmarine.com
www.mermaidmarine.com

QUEBEC

Coast Distribution (Wholesale)
1545 Marie-Vicorin
St. Bruno
Quebec
J3V 6B7
Canada
Tel: 514-866-3613 Fax: 514-441-2708

DISTRIBUTOR LIST

<https://www.boat-manuals.com/>

U.S.A.

ALABAMA

Hardware & Marine Co. (Wholesale)
1875 North Conception Street Mobile
Alabama
36610
USA

Tel: 504-467-9200 Fax: 251-452-3425

Toll Free: 800-462-9500
e-mail: hsales@beaconsupply.com
www.beaconsupply.com

ALASKA

LFS Inc. (Retail)
2315 Airport Beach
Dutch Harbor
Alaska
99692
USA

Tel: 907-581-2178 Fax: 907-581-2188

e-mail: dutch@lfsinc.com
www.lfsinc.com

LFS Inc. (Retail)
PO Box 3010
Dillingham
Alaska
99576
USA

Tel: 907-842-5376 Fax: 907-842-2350

e-mail: bellingham@lfsinc.com
www.lfsinc.com

LFS Inc. (Retail)
PO Box 215
Naknek
Alaska
99633
USA

Tel: 907-246-4490 Fax: 907-246-4446

e-mail: bellingham@lfsinc.com
www.lfsinc.com

Redden Marine (Retail)
PO 2323
Cordova
Alaska
99574
USA

Tel: 907-424-3188 Fax: 907-424-3788

e-mail: reddeninc@worldnet.att.net
www.reddenmarine.com

Redden-Kachemak Gear
59385 East Rd.
Homer
Alaska
99603
USA

Tel: (907) 235-8617 Fax: (907) 235-2605

Toll Free: 800-478-8612
e-mail: reddeninc@worldnet.att.net
www.reddenmarine.com

VIP Distributors (Wholesale)
1220 East 68th Avenue, Unit 101
Anchorage
Alaska
99518
USA

Tel: (907) 349-8924 Fax: (907) 349-2628

Toll Free: 800-770-8924
e-mail: vipdist@alaska.net

ARIZONA

Marine Wholesale
2335 East Jones Ave.
Phoenix
Arizona
85040
USA

Tel: 800-501-8333 Fax: 602-243-5998

Toll Free: 800-501-8333

ARKANSAS

Benrock Inc. (Wholesale)
6900 Alcoa Road
Benton
Arkansas
72015
USA

Tel: (501) 778-2002 Fax: (501) 778-3438

Toll Free: 800-643-9762
www.benrock.com

CALIFORNIA

Boatech Inc.
31500 Grape Street 3-208
Lake Elsinore
California
92532
USA

Tel: 213-200-0369 Fax: 909-678-6358

www.boatech.com

Coast Distribution System (Wholesale)
California
USA

Tel: 800-495-5858

Diversified Marine Products
1914 S. Mateo Street
Los Angeles
California
90021
USA

Tel: (213) 624-5595 Fax: (213) 689-0986

Diversified Marine Products
4105 South Market
Sacramento
California
95834
USA

Tel: 916-929-2696 Fax: 916-929-7192

Englund Marine Supply (Retail)
2 Commercial Street
Eureka
California
95501
USA

Tel: 707-444-9266 Fax: 707-444-9268

Toll Free: 800-228-7051
e-mail: englund@pacifier.com
www.englundmarine.com

Englund Marine Supply (Retail)
201 Citizens Dock Road
Crescent City
California
95531
USA

Tel: 707-464-1650 Fax: 707-464-3708

Toll Free: 800-228-7051
e-mail: englund@pacifier.com
www.englundmarine.com

Fox Marine Co.
646 West Esther St.
Long Beach
California
90813
USA

Tel: 562-983-6500

L & L Marine
4572 East Eisenhower Circle
Anaheim
California
92806
USA

Tel: 714-777-5505 Fax: 714-777-5736

L & L Marine Distributors
4572 East Eisenhower Circle
Anaheim
California
92806
USA

Tel: (714) 777-5505 Fax: (714) 630-3188

Port Supply/West Marine
500 Westridge Drive
Watsonville
California
95076
USA

Tel: (831) 728-4417 Fax: (408) 728-3014

Toll Free: 800-621-6885
www.portsupply.com

San Diego Marine Exchange
2636 Shelter Island Drive
San Diego
California
92106
USA

Tel: 619-223-7159

CONNECTICUT

Kellogg Marine Supply
5 Enterprise Drive P.O. Box 877
Old Lyme
Connecticut
6371
USA

Tel: 860-434-6002 Fax: 800-628-1304

Toll Free: 800-243-9303

FLORIDA

Boat Owner's Warehouse
33377 SW 2nd Ave
Ft. Lauderdale
Florida
33315
USA

Tel: 954-462-7337 Fax: 954-527-4173

Toll Free: 800-262-8799
www.boatownerswarehouse.com

Brunger Exports
2200 S. Andrews Avenue
Fort Lauderdale
Florida
33316
USA

Tel: 954-525-3379 Fax: 954-760-9617

e-mail: brung@earthlink.net
www.brungerexport.com

U.S.A.

Byfield Marine Supply Inc. (Wholesale)
175 Olive Road
Pensacola
Florida
32514
USA

Tel: 850-477-8011 Fax: 850-478-3077
Toll Free: 800-237-3741

Coast Distribution (Wholesale)
203A Kelsey Lane
Tampa
Florida
33619
USA

Tel: 800-538-7973 Fax: (813) 621-5216
Toll Free: 800-538-7973

Donovan Marine
3199 SW 42nd Street
Ft. Lauderdale
Florida
33312
USA

Tel: 954-581-2453 Fax: 954-581-7368
Toll Free: 877-936-4722
www.donovanmarine.com

Donovan Marine Inc. (Wholesale)
6545 Trade Center
Jacksonville
Florida
32256
USA

Tel: (904) 786-3008 Fax: (904) 786-2995
Toll Free: 1-800-582-9749
www.donovanmarine.com

Donovan Marine Inc. (Wholesale)
1342 - 46 N.W. 78th Avenue
Miami
Florida
33126
USA

Fax: 800-780-5627
Toll Free: 800-226-4562
www.donovanmarine.com

Donovan Marine Inc. (Wholesale)
3636 B North L Street
Pensacola
Florida
32505
USA

Tel: 850-432-7775 Fax: 850-432-4509
Toll Free: 800-347-4464
www.donovanmarine.com

Donovan Marine Inc. (Wholesale)
3071 - 118th Street
Petersburg
Florida
33716
USA

Tel: (727) 572-0192 Fax: (727) 573-1930
Toll Free: 1-800-226-4562
www.donovanmarine.com

Glenn Mar Inc.
6870 - 142nd Avenue North
Largo
Florida
33771
USA

Tel: (727) 536-1955 Fax: (727) 539-1248
www.glenmarmarine.com

Jerry's Marine
100 SW 16 St.
Ft. Lauderdale
Florida
33315
USA

Tel: 800-432-2231
Toll Free: 1-800-432-2231

Land 'N' Sea (East) Dist.
3131 N. Andrews Ave. Extension
Pompano Beach
Florida
33064
USA

Tel: 800-732-7652 Fax: 800-942-1947
Toll Free: 800-732-7652
www.landnsea.com

Land 'N' Sea Distributors (Wholesale)
12355 S.W. County Rd. 769
Lake Suzy
Florida
34266
USA

Tel: (941) 764-0722 Fax: (941) 764-0832
Toll Free: 1-800-521-3744
www.landnsea.net

Land 'N' Sea Distributors (Wholesale)
2968 Ravenswood Road
Ft. Lauderdale
Florida
33312
USA

Tel: (954) 792-5436 Fax: (954) 581-4867
Toll Free: 800-432-7652
www.landnsea.net

Lewis Marine Supply Inc.
220 S.W. 32nd Court
Ft. Lauderdale
Florida
33315
USA

Tel: (954) 523-4371 Fax: (954) 463-7715
Toll Free: 800-327-3792
e-mail: lms@lewismarine.com
www.lewismarine.com

Lewis Marine Supply of Central Florida
636 Clearlake Road
Cocoa
Florida
32922
USA

Tel: (321) 632-8484 Fax: (321) 631-4431
Toll Free: 800-432-2158

Lewis Marine Supply of Stuart
3385 S.E. Dixie HWY
Stuart
Florida
34997
USA

Tel: 561-286-2118 Fax: 561-220-4529
www.lewismarine.com

DISTRIBUTOR LIST

GEORGIA

BBenrock Inc. (Wholesale)
4841 Lewis Road
Stone Mountain
Georgia
30083
USA

Tel: 501-778-2002 Fax: 800-544-5697
Toll Free: 800-643-9762
www.benrock.com

Coast Distribution (Wholesale)
1795 Continental Way
Atlanta
Georgia
30316
USA

Tel: (404) 241-5050 Fax: (404) 241-9985

Land 'n' Sea
3105 Sweetwater Road
Building 300 Suite N
Lawrenceville
Georgia
30044
USA

Tel: 800-432-7652 Fax: 800-942-1947
Toll Free: 800-432-7652
www.landnsea.net

HAWAII

Servco Marine Supply
1125 Ala Moana Blvd.
Honolulu
Hawaii
96814
USA

Tel: (808) 524-6150

West Marine
111 Sand Island Access Road
Honolulu
Hawaii
96819
USA

Tel: (808) 845-9900 Fax: (808) 842-0454

ILLINOIS

Coast Distribution (Wholesale)
3002 Coast Court
Elkhart
Illinois
46514
USA

Tel: (219) 262-1551 Fax: (219) 264-9743

INDIANA

Charman Enterprises
107 West Harris
Eaton
Indiana
47338
USA

Tel: 1-765-396-9683 Fax: 1-800-647-8449
Toll Free: 1-800-247-6324
e-mail: charment@insightbb.com
www.charment.com

DISTRIBUTOR LIST

<https://www.boat-manuals.com/>

U.S.A.

IOWA

Lorenz & Jones (Wholesale)
3402 S.E. Convience Boulevard
Ankeny
Iowa
50021-9422
USA
Tel: (515) 964-4205 Fax: (515) 964-0678

KANSAS

Medart Inc. KC
2644 South 96th Street
Edwardsville
Kansas
66111-3483
USA
Tel: 800-888-7181 Fax: 888-510-3101
Toll Free: 800-888-7181
www.medarmarine.com

LOUISIANA

Beacon Supply Co. (Wholesale)
821 Industry Road
Kenner
Louisiana
70062
USA
Tel: (504) 467-9200 Fax: (504) 467-7888
Toll Free: 800-462-9500
e-mail: sales@beaconsupply.com
www.beaconsupply.com

Benrock Inc. (Wholesale)
1041 Hawn Avenue
Shreveport
Louisiana
71101
USA
Tel: 501-778-2002 Fax: 800-544-5697
Toll Free: 800-643-9762
www.benrock.com

Donovan Marine Inc. (Wholesale)
6316 Humphreys Street
Harahan
Louisiana
70123
USA
Tel: (504) 488-5731 Fax: (504) 488-5731
Toll Free: 800-347-4464
www.donovanmarine.com

MAINE

HHamilton Marine Supply
155 East Main Street
Searsport
Maine
4974
USA
Tel: 207-548-6302 Fax: 800-548-6352
e-mail: mail@hamiltonmarine.com
www.hamiltonmarine.com

Lewis Marine Supply of Maine
50 New County Road
Rockland
Maine
4841
USA
Tel: (207) 596-6464 Fax: (207) 596-5615

MARYLAND

Boater's World
6711 Ritz Way
Beltsville
Maryland
20705
USA
Tel: 301-419-0000

Fawcett Boat Supplies
2017 Renard Court
Annapolis
Maryland
21401
USA
Tel: 410-267-8681 Fax: 410-224-0979

MASSACHUSETTS

C. E. Beckman Co.
11 - 35 Commercial Street
New Bedford
Massachusetts
2741
USA
Tel: (508) 994-9674 Fax: (508) 990-2785

Rose Marine
375 Main Street
Gloucester
Massachusetts
1930
USA
Tel: 978-283-0293 Fax: 978-283-3308

MICHIGAN

Barclay Marine Dist. Corp.
24600 Maplehurst Drive
Mt. Clemons
Michigan
48036
USA
Tel: (313) 469-9910 Fax: 800-959-1694
Toll Free: 800-959-5904

Barclay Marine Dist. Corp.
3513 Iousma Drive S. E.
Grand Rapids
Michigan
49548
USA
Tel: (616) 243-6464 Fax: 800-959-1692
Toll Free: 800-959-5902

McDurmon Distributor
G12238 Fenton Rd.
Fenton
Michigan
48430
USA
Tel: 810-750-0411 Fax: 888-366-2424
Toll Free: 800-621-4130
e-mail: mcdurmon1@AOL.com

Midwest Marine Supply Co.
24300 Jefferson Avenue
St. Clair Shores
Michigan
48080
USA
Tel: (586) 778-8950 Fax: (586) 778-6108

MINNESOTA

Barclay Marine Dist. Corp.
1755 Buerkle Road
White Bear Lake
Minnesota
55110
USA
Tel: (651) 770-8515 Fax: 800-959-5907
Toll Free: 800-959-5903
www.landnsea.net

Bell Industries
580 Yankee Doodle Rd. Suite 1200
Eagan
Minnesota
55121
USA
www.bellrpg.com

Bell Industries Inc.
500 Hardman Avenue
South St. Paul
Minnesota
55075
USA
Tel: (612) 450-9020 Fax: (612) 450-0844

Hannay's Inc.
1708 Central Avenue N. E.
Minneapolis
Minnesota
55413
USA
Tel: (612) 781-7416 Fax: (612) 781-4325
Toll Free: 800-462-5321
www.hannaysinc.com

Northern Wholesale Supply
6800 Otter Lake Road
Lino Lakes
Minnesota
55038
USA
Tel: 651-429-1515 Fax: 651-429-5757

MISSISSIPPI

Medart Inc. Memphis Area
10310 High Point Road
Olive Branch
Mississippi
38654
USA
Tel: 800-888-7181 Fax: 888-510-3101
Toll Free: 800-888-7181
www.medartmarine.com

MISSOURI

Barclay Marine
55 Design Drive
N. Kansas City
Missouri
64116
USA
Tel: 800-959-5945 Fax: 800-959-1695

Medart Inc. St. Louis
124 Manufacturers Drive.
Arnold
Missouri
63010-4727
USA
Tel: 800-888-7181 Fax: 888-510-3103
Toll Free: 800-888-7181
www.medartmarine.com

U.S.A.

O'Reilly Marine (Retail/Wholesale)
233 South Patterson
Springfield
Missouri
65802
USA
Tel: 417-862-6708 Fax: 417-874-7101

NEW JERSEY

Jerry's Marine
1000 Airport Rd.
Lakewood
New Jersey
8701
USA
Tel: 1-888-244-4735
Toll Free: 1-888-244-4735

Marine Equipment & Supply
1401 Metropolitan Avenue
Thorofare
New Jersey
8086
USA
Tel: (856) 853-8320 Fax: (856) 853-8158

Shoreway Marine Inc.
313 State Highway
Berlin
New Jersey
8009
USA
Tel: (609) 768-8102 Fax: (609) 768-2409

NEW YORK

Freeport Marine Supply Co.
47 West Merrick Road
Freeport, Long Island
New York
11520
USA
Tel: (516) 379-2610 Fax: (516) 379-2909

Lewis Marine Supply of Greenport
230 Corwin Street
P.O. Box 2103
Greenport
New York
11944
USA
Tel: (631) 477-1900 Fax: (631) 477-1215

Morgan Recreational Supply
6013 Denny Drive
Farmington
New York
14425
USA
Tel: 800-836-5300 Fax: 888-353-8099
Toll Free: 800-836-5300
e-mail: tima@morganrec.com
www.morganrec.com

Seacoast Distributors
105 Wartburg Avenue
Copiague
New York
11726
USA
Tel: (631) 842-2338 Fax: (631) 842-2021
Toll Free: 1-800-645-5857

NORTH CAROLINA

Paxton Company
301B North Greenmeadows Drive
Wilmington
North Carolina
28405
USA
Tel: 910-452-1955 Fax: 800-475-0096
Toll Free: 800-475-8889
www.paxtonco.com

OHIO

Barclay Marine
327 Detroit Ave
Cleveland
Ohio
44113
USA
Tel: 800-959-5907 Fax: 800-959-1697
Toll Free:

Vita-Plate Battery Inc.
304 Buckeye Blvd., P.O. 727
Port Clinton
Ohio
43452
USA
Tel: (419) 732-3181 Fax: (419) 732-3167

OKLAHOMA

Benrock Inc. (Wholesale)
15233 E. Skelly Drive
Tulsa
Oklahoma
74116
USA
Tel: (918) 437-2371 Fax: 800-544-5697
Toll Free: 800-643-9762
www.benrock.com

OREGON

Coast Distribution (Wholesale)
7914 S.E. 82nd Street
Portland
Oregon
97266
USA
Tel: (503) 777-3991 Fax: (503) 775-4989

Englund Marine Supply (Retail)
Foot of 15th Street, Box 296
Astoria
Oregon
97103
USA
Tel: (503) 325-4341 Fax: (503) 325-6421
Toll Free: 800-228-7051
e-mail: englund@pacifier.com
www.englundmarine.com

Englund Marine Supply (Retail)
880 SE Bay Blvd
Newport
Oregon
97365
USA
Tel: 541-265-9275 Fax: 541-265-3515
Toll Free: 800-228-7051
e-mail: englund@pacifier.com
www.englundmarine.com

Englund Marine Supply (Retail)
5080 Cape Arago Highway
Charleston
Oregon
97420
USA
Tel: 541-888-6623 Fax: 541-888-9332
Toll Free: 800-228-7051
e-mail: englund@pacifier.com
www.englundmarine.com

Fisherman's Marine Supply (Retail)
901 N. Columbia Blvd
Portland
Oregon
97217
USA
Tel: 503-283-8310 Fax: 503-285-9461

U.S. Distributing Inc. (Wholesale)
7911 N.E. 33rd Drive, Unit 140
Portland
Oregon
97211
USA
Tel: (503) 284-7245 Fax: (503) 281-2127
Toll Free: 800-621-3454

PENNSYLVANIA

Blackburn Marine Distributing, Inc.
1200 Lake Shore Road
Friedens
Pennsylvania
115541
USA
Tel: 814-267-3075 Fax: 814-267-3670
Toll Free: 800-726-3075
e-mail: blackburn@wpia.net

Coast Distribution (Wholesale)
175 Greenfield Road
Lancaster
Pennsylvania
17601
USA
Tel: (717) 299-2501 Fax: (717) 295-7490

Keller Marine Service Routes 11 & 15
Port Treverton
Pennsylvania
17864
USA
Tel: (717) 374-8169 Fax: (717) 374-5356

SOUTH CAROLINA

Donovan Marine
7289 Spa Road, Unit B
North Charleston
South Carolina
29418
USA
Tel: 904-786-3008 Fax: 800-582-9749
Toll Free: 800-865-5299
www.donovanmarine.com

Ellett Brothers
267 Columbia Avenue
Chapin
South Carolina
29036
USA
Tel: (803) 345-3751 Fax: (803) 345-1820

DISTRIBUTOR LIST

<https://www.boat-manuals.com/>

U.S.A.

Jerry's Marine
3601-B Meeting St. Rd.
Charleston
South Carolina
29405
USA
Tel: 1-800-788-2231
Toll Free: 1-800-788-2231

Lewis Marine Supply of Charleston
624 Marina Dr.
Charleston
South Carolina
29492
USA
Fax: 800-823-0311

McGill Distributing
1903 Longstreet Street
Kingstree
South Carolina
29556
USA
Tel: (803) 354-7404 Fax: (803) 354-3263

TENNESSEE

Donovan Marine
603 Davidson Street
Nashville
Tennessee
37213
USA
Tel: (615) 834-8262 Fax: (615) 726-3696
www.donovanmarine.com

TEXAS

Coast Distribution (Wholesale)
7133 Burns Street
Fort Worth
Texas
76118
USA
Tel: (817) 595-0158 Fax: (817) 284-1833

Donovan Marine Inc. (Wholesale)
3130 Pawnee
Houston
Texas
77054
USA
Tel: 713- 734-4171 Fax: (713) 734-1674
Toll Free: 800-669-8392
www.donovanmarine.com

Gunterland Marine Supply
1221 Cantwell Lane
Corpus Christi
Texas
78469
USA
Tel: (512) 882-4231 Fax: (512) 888-5622

Houston Marine Supply Co.(Wholesale)
1707 Velasco
Houston
Texas
77003
USA
Tel: (713) 236-8190 Fax: (713) 236-0831

V & V Marine Products
6642 Baker Blvd.
Fort Worth
Texas
76118
USA
Tel: (817) 284-1125 Fax: (817) 284-1219

UTAH

Coast Distribution (Wholesale)
3800 W. 2100 S.
Salt Lake City
Utah
84120
USA
Tel: (801) 973-4993 Fax: (801) 973-4900

VIRGINIA

Land 'N' Sea Distributors (Wholesale)
1340 Azalea Garden Road
Norfolk
Virginia
23503
USA
Tel: (757) 853-7658 Fax: (757) 857-3726
Toll Free: 800-446-8142
www.landnsea.net

Paxton Co.
1111 Ingleside Road
Norfolk
Virginia
23502
USA
Tel: (757) 853-6781 Fax: 800-853-7709
Toll Free: 800-234-7290
www.paxtonco.com

WASHINGTON

Coast Distribution Seattle (Wholesale)
5301 Shilshole Avenue, N.W.
Seattle
Washington
98107
USA
Tel: (206) 789-1500 Fax: (206) 784-6393

Englund Marine Supply (Retail)
280 East Wilson
Westport
Washington
98595
USA
Tel: 360-268-9311 Fax: 360-268-9752
Toll Free: 800-228-7051
e-mail: englund@pacifier.com
www.englundmarine.com

Englund Marine Supply (Retail)
123 Howerton Way
Ilwaco
Washington
98624
USA
Tel: 360-642-2308 Fax: 360-642-0210
Toll Free: 800-228-7051
e-mail: englund@pacifier.com
www.englundmarine.com

Fisheries Supply
1900 N. Northlake Way
Seattle

Washington
98103
USA
Tel: (206) 632-4462 Fax: (206) 634-4600
Toll Free: 800-426-6930
e-mail: mail@fisheriessupply.com
www.fisheriessupply.com

G02Marine
330 Madison Ave, South
Bainbridge Island
Washington
98110
USA
Tel: 877-780-5670 Fax: 877-780-5673
www.go2marine.com

Harbour Marine Distributors
1210 West Marine View Drive
Everett
Washington
98201
USA
Fax: 425-259-7248
Toll Free: 800-824-0882

Kolstr & Marine Supply (Retail)
4733 Ballard Avenue, N.W.
Seattle
Washington
98107
USA
Tel: (206) 784-2500 Fax: (206) 7891105
Toll Free: 800-334-3224
e-mail: kolstrand@msn.com
www.kolstrand.com

LFS Inc. (Retail)
851 Coho Way
Bellingham
Washington
98226
USA
Tel: (360) 734-3336 Fax: (360) 734-4058
Toll Free: 800-426-8860
e-mail: bellingham@lfsinc.com
www.lfsinc.com

Redden Marine
1411 Roeder Avenue
Bellingham
Washington
98225
USA
Tel: (360) 733-0250 Fax: (360) 733-7180
Toll Free: 1-800-426-9284
e-mail: kevinp@reddeincc.com
e-mail: jima@reddeincc.com
www.reddeincc.com

Seattle Marine
2121 West Commodore Way
Seattle
Washington
98199
USA
Tel: 1-206-285-5010 Fax: 1-206-285-7925
e-mail: seamar@seamar.com
www.seamar.com

U.S.A. & INTERNATIONAL

WISCONSIN

Bell Industries
N117 W18456 Fulton Drive
Germantown
Wisconsin
53022
USA

Tel: 262-253-0450 Fax: 262-253-0220

Toll Free: 800-766-2355

www.bellrpg.com

Moe's Marine Service
2022 Westwind Rd.
Oshkosh
Wisconsin
54901
USA

Tel: 920-231-2731 Fax: 920-231-0442

Toll Free: 800-242-2264

INTERNATIONAL

ARGENTINA

See Brunger Exports, Florida

ARUBA

See Brunger Exports, Florida

AUSTRALIA

Bob Littler Agencies (Wholesale)
45 Aquarium Ave.
Hemmant
Queensland
4174
Australia

Tel: 61 7 3907 5500 Fax: 61 7 3907 5599

e-mail: morser@bla.com.au

www.bla.com.au

AUSTRIA

G Ascherl GmbH
Erlengrund 38
6971 Hard
Austria

Tel: 00 43 5574 899000

Fax: 00 43 5574 8990010

e-mail: g.ascherl@vol.at

BAHAMAS

See Brunger Exports, Florida

BAHRAIN

See Brunger Exports, Florida

BELGIUM

Allpa Marine Equipment
P.O. Box 6630 6530 GC Nijmegen-NL
Kerkenbos 10-15 6546 BB
Nijmegen - NL

Tel: +31 (0) 24 3777773

Fax: +31 (0) 24 3777770

e-mail: info@allpa.nl

www.allpamarine.com

BERMUDA

See Brunger Exports, Florida

BRAZIL

See Brunger Exports, Florida

COLUMBIA

See Brunger Exports, Florida

DENMARK

Columbus Marine A/S
Brordrupvej 44
DK 4621
Gadstrup
Denmark

Tel: 00-45-4619-1166

Fax: 00-45-4619-1353

e-mail: columbus@columbus-marine.dk

www.columbus-marine.dk

EGYPT

See Brunger Exports, Florida

ENGLAND

Hypro Marine
Mount Pleasant Lane
Lymington
Hampshire
SO41 8LS
England

Tel: 0044 590 681445

Fax: 0044 590 681446

e-mail: info@hypromarine.co.uk

www.hypromarine.com

EQUADOR

See Brunger Exports, Florida

FINLAND

US Parts Oy
Holkkitie 10
880

Helsinki

Finland

Tel: 00-358-9-251-31888

Fax: 00-358-9-251-31881

e-mail: marine@usparts.fi

www.usparts.fi

FRANCE

Proxam Distribution
86 Chemin de la Pelouque
FR13016
Marseille
France

Tel: 00-33-491-463434

Fax: 00-33-491-460400

e-mail: proxam@pieces-marine.com

www.pieces-marine.com

FRENCH WEST INDIES

See Brunger Exports, Florida

GERMANY

Allpa Marine Equipment
P.O. Box 6630 6530 GC Nijmegen-NL
Kerkenbos 10-15 6546 BB
Nijmegen - NL

Tel: +31 (0) 24 3777773

Fax: +31 (0) 24 3777770

e-mail: info@allpa.nl

www.allpamarine.com

GIBRALTAR

See Brunger Exports, Florida

GREECE

Motocraft SA
48 Alimou Ave
17455
Athens
Greece

Tel: +3010 98.88.288

Fax: +3010 98.50.102

e-mail: alexzeis@motocraft.gr

www.motocraft.gr

INTERNATIONAL

GUATEMALA

See Brunger Exports, Florida

HOLLAND

Allpa Marine Equipment
P.O. Box 6630 6503 GC Nijmegen- NL
Kerkenbos 10-15 6546 BB
Nijmegen
Holland
Tel: +31 (0) 24 3777773
Fax: +31 (0) 24 3777770
e-mail: info@allpa.nl
www.allpa.nl

HONG KONG

Holylight (HK) Trading Co.
Flat C., 11/F. Sing Teck Factory Building
44 Wong Chuk Hang Road
Aberdeen
Hong Kong
Tel: 00 852 2543 7048
Fax: 00 852 2543 6156
e-mail: coha@holylight.biz.com.hk

To Kee Marine Ltd.
NO. 8 B On Kui Street
On Lok Tsuen
Fanling, NT
Hong Kong
Tel: 00 852 2947 2921
Fax: 00 852 2947 2076
e-mail: tokeer@netvigater.com

Teleflex Morse Pte Ltd.
30 Pioneer Road
Singapore
628502

Tel: 65 6869 6439
Fax: 65 6869 3662
e-mail:
lkt.tfxmorse@pacific.net.sg

INDIA

Teleflex Morse Pte Ltd. Singapore
30 Pioneer Road
Singapore
628502
Tel: 65 6869 6439
Fax: 65 6869 3662
e-mail:
lkt.tfxmorse@pacific.net.sg

INDONESIA

Jasa Marine
Jl Malaka 2, No. 35
Jakarta 11230
Indonesia
Tel: 00 62 21 690 3130
Fax: 00 62 21 690 5615
e-mail: fred@jasamarine.co.id
www.jasamarine.co.id

PD Sumber Marine
Jalan Cengkeh No. 21 B-C
Jakarta, 11110
Indonesia
Tel: 00 62 21 692 5436
Fax: 00 62 21 692 9234
e-mail: smmarine@centrin.net.id

Teleflex Morse Pte Ltd. Singapore
30 Pioneer Road
Singapore
628502
Tel: 00 65 686 13644
Fax: 00 65 686 13662
e-mail: lkt.tfxmorse@pacific.net.sg

IRELAND

Western Marine
Bulloch Harbour
Dalkey
County Dublin
Ireland
Tel: 00-353-128-00321
Fax: 00-353-128-00327
e-mail: marine@iol.ie

ISRAEL

See Brunger Exports, Florida

ITALY

Belgarda SPA (Wholesale)
Via Tinelli 67 - 69
20050 Gerno di Lesmo
Milan
Italy
Tel: 00-390-39-60961
Fax: 00-390-39-6064371
e-mail: giuseppe.scarpino@yamaha-motor.it
www.belgarda.it

Svama Nautica S.R.L. (Wholesale)
Via Beneficio 2, Tronco
57/B 48015
Montaletto Di Cervia
(Ravenna)
Italy
Tel: 00-390-544-965689
Fax: 00-390-544-965734
e-mail: svama-nautica@svama-nautica.com
www.svama-nautica.com

JAMAICA

See Brunger Exports, Florida

JAPAN

See Brunger Exports, Florida

KOREA

Saehan Marine
591-16, Janghang-Dong
Ilsan-Gu, Goyang-Si
Gyungki-Do
Korea
Tel: 82-31-907-6363
Fax: 82-31-903-1951
e-mail: saehan36@hanmir.com

Saehan Marine Co.
591-26, Janghang-Dong
Ilsan-Gu, Goyang-City
Gyungki-Do
Korea
Tel: 00 82 31 907 6363
Fax: 00 82 31 903 1951
e-mail: saehan36@paran.com

Saehan Marine
P.O. Box 232
Young Dong
Seoul
Korea
Tel: 00-822-542-6363
Fax 00-822-546-1951

Hwa Chang Trading Co.
726-420 Hannam-Dong, Yongsan-Gu
Seou
Korea
Tel: 00 822 7946-133
Fax: 00 822 7946-155
e-mail: hwachang@hwachang.com

Teleflex Morse Pte Ltd. Singapore
30 Pioneer Road
Singapore
628502
Tel: 65 6869 6439
Fax: 65 6869 3662
e-mail:
lkt.tfxmorse@pacific.net.sg

KUWAIT

See Brunger Exports, Florida

MALAYSIA

Teleflex Morse Pte Ltd. Singapore
30 Pioneer Road
Singapore
628502
Tel: 65 6869 6439
Fax: 65 6869 3662
e-mail:
lkt.tfxmorse@pacific.net.sg

MALTA

RGC Marine
1 Marine Louise Building
Garden Street
Tax'Biex
Malta
Tel: 00-356-319-338
Fax: 00-356-318-873

MEXICO

See Brunger Exports, Florida

NETHERLAND ANTILLES

See Brunger Exports, Florida

NEW ZEALAND

Lusty & Blundell
38 Tawa Drive
Albany
Auckland
1001
New Zealand
Tel: 00-649-415-8303
Fax: 00-649-415-8304
e-mail: sales@lusty-blundell.co.nz
www.lusty-blundell.co.nz

NORWAY

Telma Control - A/P
P.O. Box 2906, Toyen
Rolph, hofmosgatan 18
Oslo
NO-0608
Norway
Tel: 47 2318 0810
Fax: 47 2318 0814

OMAN

See Brunger Exports, Florida

PANAMA

See Brunger Exports, Florida

PERU

See Brunger Exports, Florida

PHILLIPINES

Teleflex Morse Pte Ltd. Singapore
30 Pioneer Road
Singapore
628502
Tel: 65 6869 6439
Fax: 65 6869 3662
e-mail:
lkt.tfxmorse@pacific.net.sg

INTERNATIONAL

POLAND

Marco Motors SP. ZOO
Lady 2
71-605
Szczecin
Poland
Poland
Tel: 00-48-91-4500552
Fax: 00-48-91-4223942

See also Brunger Exports, Florida

PORTUGAL

Krautli Portugal Lda.
Horta dos Barcelos
Lote 2
P 2695 390 Sta
Iria de Azoia
Portugal
Tel: 00-351-21-953-5600
Fax: 00-351-21-953-5633
Toll Free: 00-356-319-338
e-mail: j.pires@krautli.pt
www.krautli.com

PUERTO RICO

See Brunger Exports, Florida

QATAR

See Brunger Exports, Florida

SAUDI ARABIA

See Brunger Exports, Florida

SINGAPORE

Mengsina Pte. Ltd.
No. 63 Jalan Pemimpin
05-09 Pemimpin Industrial BLDG
Singapore
577219
Tel: 00 65 6251 4595
Fax: 00 65 6258 7296
e-mail: mengsina@singnet.com.sg

Richmond Supplies & Services Pte. Ltd
Blk 3019 Ubit Road 1, 03-103
Singapore
408715
Tel: 00 65 6745 7288
Fax: 00 65 6745 5618
e-mail: Rmond@singnet.com.sg

Teleflex Morse Pte Ltd. Singapore
30 Pioneer Road
Singapore
628502
Tel: 65 6869 6439
Fax: 65 6869 3662
e-mail:
lkt.tfxmorse@pacific.net.sg

SOUTH AFRICA

Boating Distributors (Wholesale)
P.O. Box 84, Northriding
2194
Johannesburg
Gauteng
South Africa
Tel: 00-27-11-462-4390
Fax: 00-27-11-704-1669
e-mail: craig@boating-distributor.co.za
www.waterworld.com

SPAIN

F.J. Blasco S.L.
C/Bolivia 340, Local 64
2a PLANTA
8019
Barcelona
Spain
Tel: 00-34-93-3034300
Fax: 00-34-93-3033252
e-mail: blasco@larapita.com

SRI LANKA

Teleflex Morse Pte Ltd. Singapore
30 Pioneer Road
Singapore
628502
Tel: 65 6869 6439
Fax: 65 6869 3662
e-mail:
lkt.tfxmorse@pacific.net.sg

SWEDEN

Jan Comstedt Ab
Box 12022
SE 402
41
Gothenburg
Sweden
Tel: 00-46-31-775-6530
Fax: 00-46-31-24-53-17
e-mail: info@comstedt.se
www.comstedt.se

SWITZERLAND

Marine Parts Heimgartner
Pfaffikerstr. 6
CH 8604
Volketswil
Zurich
Switzerland
Tel: 00-41-1997-4090
Fax: 00-41-1997-4094
e-mail: marineparts@pilatusnet.ch

TAIWAN

Matsu Shiyon Trading Co.
No. 19 Lane 100 Ho Pien Street
San Chung City,
Taipei
Taiwan
Tel: 00 886 2 2975 4178
Fax: 00 886 2 2975 4238
e-mail: ms78.ms4628@msa.hinet.net

Mercury Marine Supply Co., Ltd.
No. 15 Chongshan Street
Siaogang District
81245 Kaohsiung
Taiwan
Fax: 00 886 7 813 32533-5
Toll Free: 00 886 7 813 3236
e-mail: mms46654@ms16.hinet.net

Teleflex Morse Pte Ltd. Singapore
30 Pioneer Road
Singapore
628502
Tel: 65 6869 6439
Fax: 65 6869 3662
e-mail:
lkt.tfxmorse@pacific.net.sg

THAILAND

Seat Pattaya Co. Ltd.
308/4 M. 12 Thappraya Road
Nongprue
Banglamung
Cholburi
20150
Thailand
Tel: 00 66 38 251637
Fax: 00 66 38 251 782
e-mail: seatboat@loxinfo.co.th

Teleflex Morse Pte Ltd. Singapore
30 Pioneer Road
Singapore
628502
Tel: 65 6869 6439
Fax: 65 6869 3662
e-mail:
lkt.tfxmorse@pacific.net.sg

TUNISIA

Majimpex
26 Av
Chedly
Zouiten
1082
Tunisia
Tel: 00-216-1-802617
Fax: 00-216-1-802617
e-mail: info@majimpex.com

TURKEY

See Brunger Exports, Florida

UNITED ARAB EMIRATES

See Brunger Exports, Florida

US VIRGIN ISLANDS

See Brunger Exports, Florida

VENEZUELA

See Brunger Exports, Florida

VIETNAM

Minh Long Co. Ltd. (System Power)
451b - 453 Hai Ba Trung
Ho Chimhn
Vietnam
Tel: 00-84-8844-4297
Fax: 00-84-8843-9666

Teleflex Morse Pte Ltd. Singapore
30 Pioneer Road
Singapore
628502
Tel: 65 6869 6439
Fax: 65 6869 3662
e-mail:
lkt.tfxmorse@pacific.net.sg

ZIMBABWE

See Brunger Exports, Florida

U.S.A. RETAILERS

CALIFORNIA

West Marine Prod.
203 N. Harbor Blvd.
San Pedro, CA 90731
Tel (408) 728-2700

CONNECTICUT

Boat America - Norwalk
9 Washington Street
So. Norwalk, CT 06854
Tel (860) 866-4426

FLORIDA

Boat America - Clearwater
11477 U.S. Highway 19
Clearwater, FL 34624
Tel (813) 573-2678

Boat America - Ft. Lauderdale
505 W. Broward Blvd.
Ft. Lauderdale, FL 33312
Tel (954) 523-7993

Boat America - Ft. Myers
12901 McGregor Blvd.
Ft. Myers, FL 33919
Tel (941) 481-7447

Boat America - Palm Beach
1900-B Okeechobee Blvd.
West Palm Beach, FL 33409
Tel (407) 684-4900

Boat America - Tampa
8203 N. Dale Mabry Hwy.
Tampa, FL 33614
Tel (941) 933-5515

MASSACHUSETTS

Boat America - Boston
411 Waverly Oaks Road
Waltham, MA 02154
Tel (617) 899-2000

MARYLAND

Boat America
27 W Long Meadow Rd.
Hagerstown, MD 21740
Tel (301) 739-2606

Boat America - Glen
6651-20 Ritchie Hwy. Rt. 2
Glen Burnie, MD 21061
Tel (301) 761-5901

Boat America - Maryland
5640-E Sunnyside Ave.
Beltsville, MD 20705
Tel (301) 474-0150

Boat America - Towson
6863 Loch Raven Blvd.
Towson, MD 21204
Tel (301) 296-0451

MICHIGAN

Boat America - Detroit
2212 E. 14 Mile Road
Warren, MI 48092
Tel (313) 939-5050

NEW JERSEY

Boat America - Holmdel
2145 Rte. 35 North
Holmdel, NJ 07733
Tel (201) 739-8890

West Marine

201 Meadow Rd.
Edison, NJ 08818
Tel (908) 819-7400 Fax (908) 819-4771

NORTH CAROLINA

Overton's Sport Center
111 Red Banks Rd.
Greenville, NC 27835
Tel (919) 355-7600 Fax (919) 355-2923

OHIO

Boat America - Cleveland
3419 Carnegie Ave.
Cleveland, OH 44115
Tel (216) 391-2922

TEXAS

Boat America - Houston
7280 Wynnwood
Houston, TX 77008
Tel (713) 880-2160

VIRGINIA

Boat America
880S Pickett St.
Alexandria, VA 22304
Tel (703) 370-4202 Fax (703) 461-2847

Boat America - Norfolk
6600 Virginia Beach Blvd.
Norfolk, VA 23502
Tel (757) 461-3601

2 YEAR LIMITED WARRANTY

We warrant to the original retail purchaser that Teleflex Canada Limited Partnership products have been manufactured free from defects in materials and workmanship. This warranty is effective for two years from the date of original retail purchase, excepting that where Teleflex Canada Limited Partnership products are used commercially or in any rental or other income producing activity, then this warranty is limited to 1 year from the date of original purchase.

We will provide replacement product without charge, for any Teleflex Canada Limited Partnership product meeting this warranty, which is returned (freight prepaid) within the warranty period to the dealer from whom such products were purchased, or to us at the appropriate address. In any such case Teleflex Canada Limited Partnership products found to be defective and covered by this warranty, will be replaced or repaired at Teleflex Canada Limited Partnership's option, and returned to the customer.

Teleflex Canada Limited Partnership's sole responsibility under this warranty is limited to the repair or replacement of product which is, in Teleflex Canada Limited Partnership's opinion, defective. Teleflex Canada Limited Partnership is not responsible for charges connected with the removal of such product or re-installation of replacement or repaired parts.

We will have no obligations under this warranty for any product:

- Which has been improperly installed.
- which has been used in an installation other than as recommended in our installation or operation instructions or specifications.
- Which has failed or has been damaged due to an accident or abnormal operation including racing, misuse or alterations outside our factory.
- Which has been repaired or modified by other than Teleflex Canada Limited Partnership.
- Which has been used on an engine/boat combination where the engine horsepower exceeds the boat horsepower rating established by the boat manufacturer.
- Which has been used with other products which, in Teleflex Canada Limited Partnership's opinion, are incompatible with the Teleflex Canada Limited Partnership product.

THIS WARRANTY IS EXPRESSLY IN LIEU OF ANY OTHER WARRANTIES, OBLIGATIONS OR LIABILITIES ON THE PART OF TELEFLEX CANADA LIMITED PARTNERSHIP AND WILL BE THE CUSTOMER'S EXCLUSIVE REMEDY EXCEPT FOR ANY APPLICABLE IMPLIED WARRANTIES UNDER STATE LAW WHICH ARE HEREBY LIMITED IN DURATION TO TWO YEARS FROM THE DATE OF ORIGINAL PURCHASE. IN NO EVENT WILL TELEFLEX CANADA LIMITED PARTNERSHIP BE LIABLE FOR ANY INCIDENTAL OR CONSEQUENTIAL DAMAGES FOR BREACH OF ANY EXPRESS OR IMPLIED WARRANTY RELATING TO THE PRODUCTS. Some states do not allow limitations on an implied warranty, or the exclusion of incidental or consequential damages, so the above exclusions may not apply to you. You may have other rights which vary from state to state.

If Teleflex Canada Limited Partnership products are to be returned to Teleflex Canada Limited Partnership under warranty, you must obtain a Return Goods authorization number (claim number) prior to shipping. Be sure to label the goods with:

- a) the name and address of the sender, and
- b) the return goods authorization number (claim number).

Please address the returned goods as follows:

From U.S.A.

RG# # ?
Teleflex Canada
c/o UPS-SCS Warehouse
1927 Boblett Street
Blaine, WA 98230

From CANADA and Overseas:

RG# # ?
Teleflex Canada
3831 No.6 Road
Richmond, B.C.
Canada V6V 1P6

Teleflex®

MARINE

TELEFLEX CANADA
3831 NO.6 ROAD
RICHMOND, B.C.
CANADA V6V 1P6

FAX 604-270-7172

www.seastarsteering.com

ISO 10592



© 1998 Teleflex Canada Limited Partnership

Printed in Canada

Part Number: SL6001 Rev. 13_r04



Instruction Manual
Ultima Bilge

600GPH, 800GPH, 1000GPH, 1250GPH



Read and understand this manual prior to
operating or servicing this product.

IB-123/01 (0912)



INDEX

Svenska.....	3
English.....	6
Deutsch.....	9
Français.....	13
Español.....	16
Italiano.....	19
Part No. list.....	22



Electromagnetic Compatibility Directive 89/336/EEC
 EN55014-1: 1993/A:1997 /Radio disturbance
 Recreational Craft Directive 94/25/EEC
 ISO 8846: 1990/Electrical devices - Protection against ignition of surrounding flammable gases
 ISO 8849: 1990/Electrically operated bilge pumps
 ISO 10133: 1994/Electrical systems - Extra low-voltage DC installations

Warranty Information

Johnson Pumps of America of 10509 United Parkway, Schiller Park, Illinois 60176 warrants to the original consumer purchaser that this product will be free from defects in material and workmanship, providing that the case is not opened or the pump otherwise abused for a period of three (3) years from the date originally purchased.

The exclusive remedy of the consumer purchaser in the event the product does not meet this express Limited Warranty is to return the pump to Johnson Pump at the above address, freight prepaid with your sales receipt. **IMPORTANT: FOR THIS WARRANTY TO BE EFFECTIVE, JOHNSON PUMP MUST BE SUPPLIED WITH THE ORIGINAL PURCHASE DATE OF THE PRODUCT. THE ACCEPTANCE BY JOHNSON PUMP OF ANY PRODUCT RETURNED SHALL NOT BE DEEMED AN ADMISSION THAT SUCH PRODUCT IS DEFECTIVE OR IN VIOLATION OF ANY WARRANTY. THE COMPANY RESERVES THE RIGHT TO REPAIR OR REPLACE THE PRODUCT.**

NO REPRESENTATIVE OR OTHER PERSON IS AUTHORIZED TO ASSUME FOR JOHNSON PUMP ANY ADDITIONAL LIABILITY IN CONNECTION WITH THE SALE OF ITS PRODUCTS OR TO ALTER THIS WARRANTY IN ANY WAY.

IN NO EVENT WILL JOHNSON PUMPS OF AMERICA BE LIABLE FOR MORE THAN THE SALES PRICE OF THE PRODUCT. UNDER NO CIRCUMSTANCES WILL JOHNSON BE LIABLE FOR ANY LOST PROFITS, INCIDENTAL OR

CONSEQUENTIAL COSTS, EXPENSES, OR DAMAGES. THE LIMITATION ON LIABILITY FOR LOST PROFITS, INCIDENTAL OR CONSEQUENTIAL COST EXPENSES OR DAMAGES SHALL SURVIVE ANY FAILURE OF ESSENTIAL PURPOSE OF THIS LIMITED WARRANTY. Some states do not allow the exclusive or limitation of incidental or consequential damages, so the above limitation may not apply to you.

NO EXPRESS OR LIMITED WARRANTY, INCLUDING WARRANTY OF MERCHANTABILITY AND FITNESS SHALL EXTEND FOR ANY PERIOD OF TIME GREATER THAN THREE YEARS FROM THE DATE OF ORIGINAL PURCHASE OF THIS PRODUCT. Some states do not allow limitation on how long an implied warranty lasts so the above limitation may not apply to you. **CAUTION** - Warranty void if seal on product is broken, if any electric cord is cut back more than 3 inches, if electric splices become submerged, or if product is installed contrary to instructions or warnings.

Johnson Pumps of America
 10509 United Parkway
 Schiller Park, Illinois 60176
 Fax (847)671-7909

www.johnson-pump.com

E-Mail: CUSTOMERSERVICE@

Ultima Bilge länsypump

Varning: Vänligen läs igenom och följ samtliga anvisningar innan installation och användning av denna produkt.

Koppla alltid bort spänningskällan vid installation, service eller underhåll av denna produkt. Ultima Bilge är omsorgsfullt konstruerad för att enbart pumpa ut stående vatten. Dessa pumpar är inte avsedda för skadekontroll. Länsypumparnas kapacitet torde inte vara tillräcklig för att förhindra översvämning från hastig ansamling av vatten på grund av storm, hårt väder och/eller hastigt uppkomna läckage skapade av skador i skrov och/eller riskabla navigationsförhållanden.

Lite om Ultima Bilge

Ultima bilge är en automatisk länsypump som använder avancerad elektronisk avkänningsteknologi för att upptäcka förekomsten av vatten i slaget på en båt och följaktligen tömma ut det vattnet. Den är byggd på den utprovade UltimaSwitch teknologin som använder mikroelektroniska fält för att upptäcka förekomsten av vatten. Ultima Bilge är en tätad undervattenspump med elektronisk flottörströmställare som gör en enkel installation möjlig för slutanvändaren.

Varningar:

För att undvika personskador eller skador på egendom under installation, service och underhåll, säkerställ att elektriciteten är frånkopplad.

Denna pump konstruerades enbart för att avlägsna stående slagvatten och skall inte användas för att pumpa petroleumprodukter som bensin, olja, eller lättantändliga vätskor.

Säkerställ att använda rätt säkringsstorlek som rekommenderas för din pumpmodell. Användning av en felaktig säkring kan leda till personskador, egendomsskador och

brandfara.

Installation av Ultima Bilge:

Varning: Vid installation av Ultima Bilge, säkerställ att pumpen är fri från alla hinder, speciellt nära avkänningsområdet. Om avkännarna är blockerade kommer pumpen kontinuerligt att vara påslagen!

- 1) Placera en 3/4" tjock bit av marinywood som monteringsblock för din pumps fästpunkt. Monteringsblocket skall vara tillräckligt stort för att täcka filterområdet. Använd ett vattentåligt bindemedel för att fästa monteringsblocket mot båtens skrov. Säkerställ att monteringsblocket är så plant som möjligt. Placera pumpen i slagets lägsta område. Säkerställ även att utloppsmunstycket är i plan.
- 2) Avlägsna pumpen från filtret genom att trycka ned de två sidostiften och dra filtret från pumphuset. Använd filtret för att märka ut tre monteringshål. För att undvika att borra igenom båtens skrov, ställ in borren på lämpligt djup för styrhålen. Borra styrhålen.
- 3) Dra fast tre #8 x 5/8" rostfria skruvar (inte medlevererade) i filterhålen för att montera filtret. Dra inte åt för hårt.
- 4) Efter att filtret är monterat, placera pumphuset på filtret och säkerställ att sidostiften låser fast i pumphuset.

För 3/4" utloppsmodeller, fäst slangen över Duraport. Använd slangklämmor av rostfritt stål för att fästa slangen. Om tillvalet backventil monteras, säkerställ att backventilen monteras i Duraport innan slangen installeras. För 1 1/8" modeller, fäst slangen över den gängade anslutningsöppningen [1 1/8" eller 1 1/4"]. Använd slangklämmor av rostfritt stål för att fästa slangen på anslutningsöppningarna. Om tillvalet backventil

> Svenska

monteras, säkerställ att backventilen monteras i Duraport innan slangen och anslutningsöppningarna installeras. Backventilen för [1 1/8" eller 1 1/4"] modellen innefattar en rostfri bricka och en klaff. För att installera backventilen, placera den rostfria brickan i pumpens utloppsområde. Placera därefter Nitrile klaffen över brickan. Gänga därefter på anslutningsöppningen på pumpens utlopp. Dra åt anslutningsöppningen tills den botten i pumphuset.

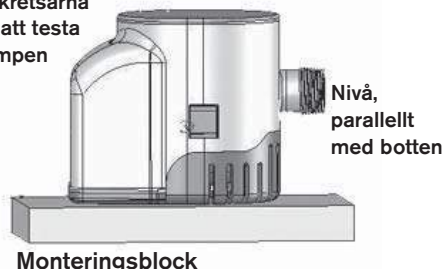
För modell 3/4" installerar du kontrollventilerna så att den avsmalnande änden är i riktning mot flödet. För att installera kontrollventilerna, tar du av packningen i Duraport och byter ut packningen mot kontrollventilerna som även fungerar som packning. Spara den gamla packningen ifall du inte vill använda kontrollventilerna vid ett senare tillfälle.

Undvik veck eller öglor på slangen. Stöd slangen om nödvändigt. Det är viktigt att slangen stadigt är upphöjd och inte tillåts sänkas ned under utloppet eftersom detta kan orsaka luftblåsor i slangen. För maximal prestanda, använd slätborrad, förstärkt slang.

OBS!

Backventilen som levereras med din Ultima Bilge används för att förhindra backströmning av vatten. Nyttan av backventilen kräver att du är uppmärksam på dess funktion. Backventilen är tillverkad av Nitrilematerial som endast är avsett för tillämpning med vatten. Backventilen minskar även pumpens strömhastighet. Om strömningen är avgörande för pumpens tillämpning rekommenderas det att inte använda backventilen. Dessutom, vid vinterrustning av din båt, ta bort backventilen för att undvika isbildning och/eller försämring av backventilen.

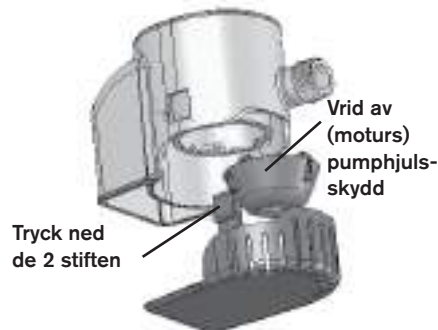
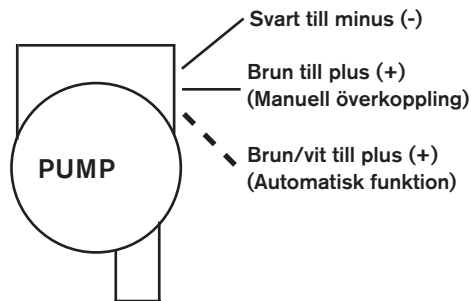
Placera fingrarna på kretsarna för att testa pumpen



Anvisningar för elinstallation:Hänvisning till kopplingsschema nedan. Använd lämplig storlek av anslutningsdon för dimension 16 ledning. Ledningsanslutningarna skall utföras med vattenskyddade permanenta anslutningsklämmor. Vattenfast el-tejp skall användas för att täcka anslutningsklämmorna. Monteringsanslutningarna skall vara ovanför den högsta vattennivån. Garantin blir ogiltig för denna produkt om någon elektrisk ledare kapas mer än 3 tum, om elektriska skarvar sänks ned i vatten, användning av felaktig säkring eller om pumpen installeras i strid mot instruktioner och varningar.

Man kan installera en trevägs kopplingspanel som gör det möjligt för pumpen att befinna sig i manuellt eller automatiskt läge. Säkerställ att pumpen avsäkras. Säkringshållaren skall placeras mellan batteriets positiva pol och trevägs kopplingspanelen. Säkerställ att lämplig säkringsstorlek används för modellerna. För att kontrollera pumpens funktion, placera två fingrar på det upphöjda cirkelrunda området på pumpens baksida. Efter en kort stund [5 sekunder], skall pumpen starta. Om du tar bort ett finger från det cirkelrunda området skall pumpen fortsätta att gå. Om du tar bort båda fingrarna skall pumpen stanna.

> Svenska



Säkerställ att du har minst 25mm fritt utrymme från avkännarna på Ultima Bilge till väggar eller omgivning. Om det inte finns tillräckligt med fritt utrymme kan avkännarna upptäcka föremålet och låta pumpen gå kontinuerligt.

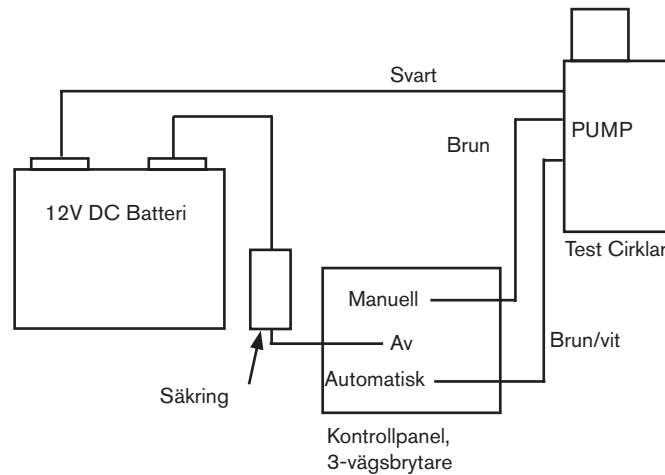
Underhåll:Ultima Bilge är konstruerad för att vara bekymmersfri och underhållsfri. Dock skall uppmärksamhet riktas mot att pumphjulet är fritt från skräp för optimal funktion. Säkerställ att spänningen är frånslagen vid underhåll av pumpen. För att komma åt pumphjulet, avlägsna pumpen från filtret genom att trycka ned de två sidostiften och dra pumpen från filtret. För rengöring av pumphjulet, ta tag i pumphjulets skyddsfläns och vrid pumphjulets skydd medurs och dra rakt ut. Avlägsna och rengör pumphjulet och pumpen från allt skräp som har samlats. Säkerställ att även rengöra eventuellt skräp som samlats på filtret. Efter att pumphjulet är rengjort, sätt tillbaka skyddet genom att rikta in stiften med spåren och vrida moturs, dra inte åt för hårt. Skyddet skall vridas tills det är stadigt. Placera pumphuset på filtret och säkerställ att båda låsstiften låser fast i pumphuset.

Garantiinformation

Johnson Pumps of America, 10509 United Parkway, Schiller Park, Illinois 60176, beviljar garanti åt den ursprungliga konsumenten/inköparen att denna produkt är fri från defekter i material och arbete, under förutsättning att enheten inte har öppnats eller att pumpen på annat sätt har missbrukats under en period av tre (3) år från och med det ursprungliga inköpsdatumet.

> Svenska

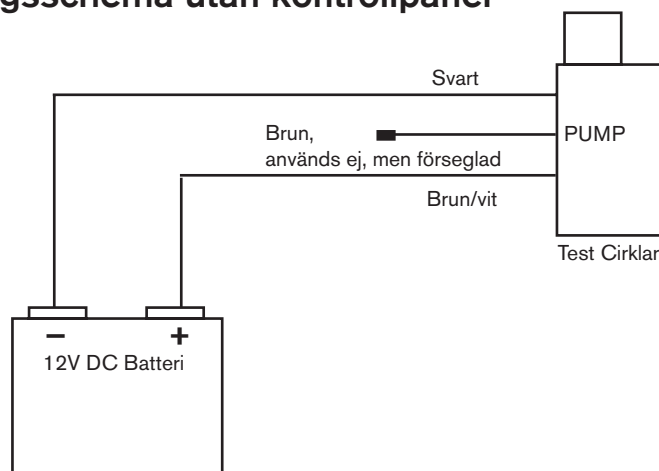
Kopplingsschema



Om du använder en 3-vägsbrytare, kan du koppla din pump så att den fungerar i den manuella vidarekopplings- eller automatiska driften.

Som visas på diagrammet, anslut den svarta (-) jordade ledningen till den negativa batteriterminalen. För att vidarekoppla driften manuellt, anslut den bruna ledningen från pumpen till panelomkopplaren. För automatdrift, anslut den bruna ledningen med den vita spåringsledningen till panelomkopplaren. Se till att du använder korrekt säkring, som kommer från den positiva batteriterminalen till panelomkopplaren, se diagrammet.

Kopplingsschema utan kontrollpanel



Ultima Bilge - Automatic Bilge Pump

Caution: Please read and follow all instructions before installing and using this product.

Always disconnect power sources during installation, servicing or maintenance of this product. The Ultima Bilge pump has been carefully designed to exhaust standing water only. These pumps are not intended for damage control. Bilge pump capacities may not be sufficient to prevent flooding from rapid accumulation of water due to storms, rough weather and/or rapid leaks created by hull damages and/or unsafe navigational conditions.

About the Ultima Bilge Pump

The Ultima Bilge pump is a state of the art automatic bilge pump that uses advanced electronic sensing technology to detect the presence of water in the bilge area of a boat and consequently discharge of that water. It is built upon the proven UltimaSwitch technology which uses micro electrical fields to detect the presence of water. The Ultima Bilge pump is a sealed, submersible pump and electronic float switch that allows for a simple installation for the end user.

Warnings:

To eliminate personal injury or damage to property during installation, servicing and maintenance, make sure to disconnect electrical power. This pump was designed to remove standing bilge water only and should not be used to pump petroleum products such as gasoline, oil, or flammable liquids.

Make sure to use the appropriate fuse size recommended by your pump model. Using the wrong fuse can lead to personal injury, property damage and fire hazard.

Installing the Ultima Bilge Pump:

Caution: *When installing the Ultima Bilge Pump, make sure that pump is clear of all obstacles, especially near the detector area. If detectors are blocked, the pump will remain continuously on!*

- 1) Place a 3/4" thick block of marine plywood as a mounting block for your pump base. Mounting block should be large enough to cover the strainer area. Use a waterproof adhesive to attach mounting block to the hull of the vessel. Make sure that mounting block is as flat as possible. Place pump in the lowest area of the bilge. Also, make sure discharge nozzle is level.
- 2) Remove the pump from the strainer by depressing the two side tabs and pulling the strainer from pump body. Use the strainer to mark three mounting holes. In order to avoid drilling through the hull of the vessel, set your drill to the appropriate depth for the pilot holes. Drill your pilot hole.
- 3) Drive three #8 x 5/8" (not supplied) Stainless screws into the strainer holes to mount the strainer. Do not over tighten.
- 4) After the strainer is mounted down, place pump body onto strainer making sure that the side tabs lock onto pump body.

For 3/4" discharge models attach your hose over the Duraport. Use Stainless steel hose clamps to secure the hose. If installing the optional check valve, make sure to install the check valve into the Duraport before installing the hose. For 1 1/8" models attach your hose over threaded port [1 1/8" or 1 1/4"]. Use Stainless Steel hose clamps to secure the hose to the ports. If installing the optional check valve,

> English

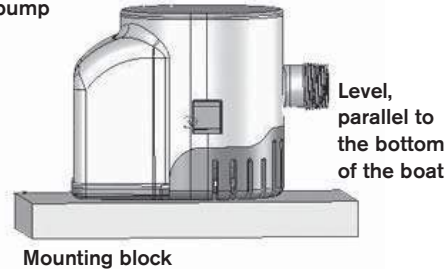
make sure to install the check valve before installing the hose and ports. The check valve for the [1 1/8" or 1 1/4"] model will include a stainless steel washer and a flapper. To install the check valve, place stainless steel washer into the discharge area of pump. Next place the Nitrile flapper over the washer. Then thread on the port on to pump's discharge. Tighten port until port is bottomed out with pump body.

For 3/4" model install check valve such that the tapered end is towards the direction of flow. To install check valve, remove gasket in Duraport and replace the gasket with the check valve which also acts as the gasket. Save the old gasket in case you intend to not use the check valve at a later time.

Make sure to avoid loops or bends in the hose. Support hose if necessary. It is important that the hose be constantly rising and not be allowed to dip below the outlet port as this may cause an airlock situation. For maximum performance use smooth bore, reinforced hose.

NOTE: The check valve supplied with your Ultima Bilge pump is used to prevent the backflow of water. The utilization of the check valve requires you to be mindful of its functionality. The check valve material is made of Nitrile material to be used for water applications only. Also, the check valve will reduce the flow of the pump. If flow is critical to the application of the pump, it is recommended that the check valve not be used. Also, when winterizing your boat, remove the check valve to avoid ice formation and/or degradation of the check valve.

Place fingers on circles to test the pump

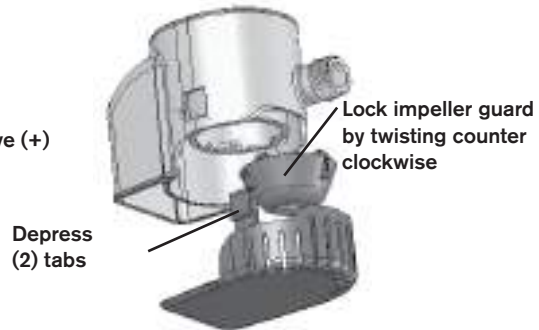
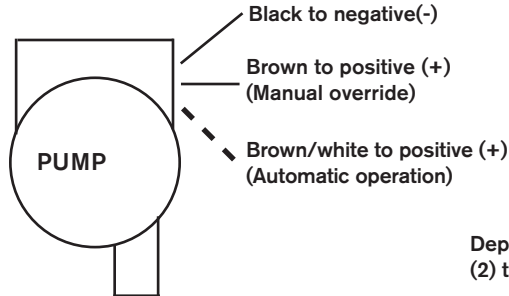


Wiring Instructions:

Refer to wiring diagram below. Use appropriate sized connectors for 16 Gauge wire. The wiring connections should be made with water resistant permanent terminals. Liquid electrical tape should be used to coat terminals. The mount connections should be above the highest water level. The warranty will become void on this product if any electrical cord is cut back more than 3 inches, if electrical splices become submerged, failure to properly fuse or if pump is installed contrary to instructions or warnings.

You may install a three way switch panel that will allow the pump to be in manual or automatic mode. Make sure to fuse the pump. The fuse holder should be between positive battery terminal and three way panel switch. Make sure to use the appropriate fuse size for the models. To check the operation of the pump, place two fingers over the raised circular areas in the back of the pump. After a short delay [5 seconds], the pump should turn on. If you remove your finger from the top circle, the pump should remain on. If you remove both fingers, the pump should turn off.

> English



Make sure to have at least 1 inch [25MM] of clearance from the sensors on the Ultima Bilge pump to any wall or surroundings. If there is not enough clearance, the sensors may detect the object and leave the pump running continuously.

Maintenance:

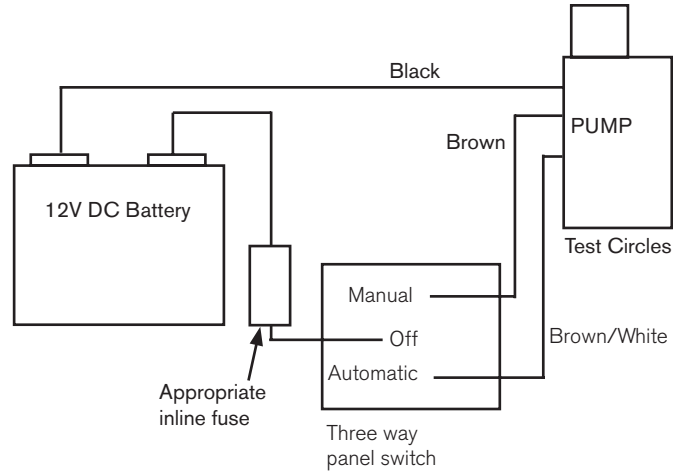
The Ultima bilge pump is designed to be worry free and maintenance free. However, care should be taken to make sure that the impeller is clear of debris for optimum pump functionality. Make sure power is disconnected during maintenance of the pump. To access the impeller, remove pump from strainer by depressing the side lock tabs on pump body and pulling pump from strainer. To clean the impeller, grab on to impeller guards fins and rotate impeller guard clockwise and pull straight out. Remove and clean the impeller and pump from all debris that has accumulated. Make sure to clean any debris that has accumulated on the strainer as well. After the impeller is clean, replace impeller guard by aligning tabs with slots and turning counter-clockwise, making sure not to over tighten. The guard should be rotated until it is firm. Place pump body on to strainer making sure that both locking tabs snap onto pump body.

Warranty Information

Johnson Pumps of America of 10509 United Parkway, Schiller Park, Illinois 60176 warrants to the original consumer purchaser that this product will be free from defects in material and workmanship, providing that the case is not opened or the pump otherwise abused for a period of three (3) years from the date originally purchased.

> English

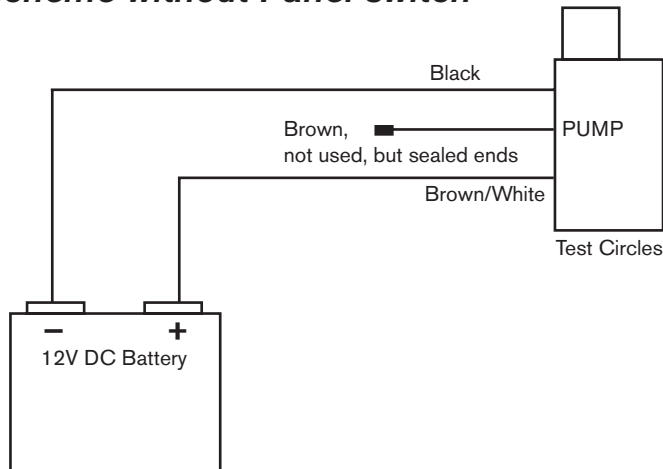
Wiring Scheme



If you are using a 3-way switch, you can wire your pump to operate in the manual over-ride or automatic operation.

As shown in the diagram, connect the black (-) ground wire to the negative terminal of the battery. For manual over-ride operation, connect the brown wire from the pump to the switch panel. For automatic operation, connect the brown wire with white tracer to the switch panel. Make sure to connect an appropriate in line fuse coming from the positive terminal of the battery to the switch panel as shown.

Wiring scheme without Panel switch



Ultima Bilge -Lenzpumpe

Vorsicht: Bitte lesen und befolgen Sie vor der Installation und Einsetzung dieses Produktes alle Anweisungen.

Trennen Sie das Produkt während der Installation, Instandhaltung oder Wartung immer von den Stromquellen. Die Ultima-Lenzpumpe ist ausschließlich zum Auspumpen stehenden Wassers sorgfältig entwickelt worden. Diese Pumpen sind nicht für die Schadenskontrolle vorgesehen. Es ist möglich, dass das Volumen der Lenzpumpe nicht ausreicht, um Überflutungen bei einem schnellen Eindringen von Wasser bei Stürmen, schlechtem Wetter und/oder plötzlich auftretenden Lecks, im Falle von Rumpfschädigungen und/oder unsicheren Navigationsbedingungen, zu verhindern.

Über die Ultima-Lenzpumpe

Die Ultima-Lenzpumpe ist eine hochmoderne automatische Lenzpumpe, die eine elektronische Spitzenabtastungstechnologie verwendet, um das Vorhandensein von Wasser im Bilgenbereich eines Schiffes zu entdecken und dieses Wasser danach auszupumpen. Die Pumpe ist nach der bewährten UltimaSwitch-Technologie gebaut, die mikroelektrische Felder zum Aufspüren von Wasser benutzt. Die Ultima-Lenzpumpe ist eine abgedichtete Tauchpumpe und hat einen elektronischen Schwimmerschalter, der eine leichte Installation für den Endverbraucher ermöglicht.

Warnungen:

Um bei der Installation Personen- oder Materialschäden zu vermeiden, stellen Sie sicher, dass Sie die Stromverbindung trennen. Diese Pumpe ist nur für die Entfernung des Bilgenwassers entwickelt worden und sollte nicht zum Pumpen von Erdölprodukten, z. B. für Benzin, Öl oder feuergefährliche Flüssigkeiten verwendet werden.

Stellen Sie sicher, dass Sie eine Sicherung mit der Größe benutzen, die für Ihr Pumpenmodell empfohlen wird. Die Verwendung von falschen Sicherungen kann zu Personenschäden, Materialschäden und Brandgefahr führen.

Installation der Ultima-Lenzpumpe:

Vorsicht: Stellen Sie bei der Installation der Ultima-Lenzpumpe sicher, dass es keine Hindernisse für die Pumpe gibt, insbesondere in der Nähe des Detektorbereichs. Falls die Detektoren blockiert werden, bleibt die Pumpe dennoch eingeschaltet!

- 1) Legen Sie ein Stück Bootsbausperrholz mit einer Dicke von 3/4" als Montageblock für die Pumpe auf den Boden. Der Montageblock sollte eine ausreichende Größe haben, damit sie den Filterbereich bedeckt. Zur Befestigung des Montageblocks an den Schiffsrumpf verwenden Sie wasserfesten Kleber. Stellen Sie sicher, dass der Montageblock so flach wie möglich ist. Stellen Sie die Pumpe in den niedrigsten Bereich der Bilge auf. Stellen Sie ebenfalls sicher, dass der Ablaufstutzen ausgerichtet ist.
- 2) Entfernen Sie die Pumpe vom Filter, indem Sie die zwei seitlichen Verschlussnasen drücken und den Filter aus dem Pumpengehäuse ziehen. Verwenden Sie den Filter zum Markieren der drei Montagebohrungen. Um Bohren durch den Schiffsrumpf zu vermeiden, stellen Sie den Bohrer für die Löcher auf eine richtige Tiefe ein. Machen Sie ein Loch.
- 3) Zur Montage des Filters führen Sie drei #8 x 5/8" (nicht im Lieferumfang) rostfreie Schrauben in die Bohrungen des Filters. Ziehen Sie nicht zu stark an.
- 4) Nach der Montage des Filters stellen Sie das Pumpengehäuse auf den Filter und stellen Sie sicher, dass die seitlichen Verschlussnasen am Pumpengehäuse verriegeln.

Bei 3/4"-Ablaufmodellen befestigen Sie Ihren Schlauch über den Duraport. Verwenden Sie zur Befestigung des Schlauchs Schlauchschellen aus rostfreiem Stahl. Falls Sie ein optionales Rückschlagventil installieren, stellen Sie sicher, dass Sie das Ventil im Duraport prüfen, bevor Sie den Schlauch in-

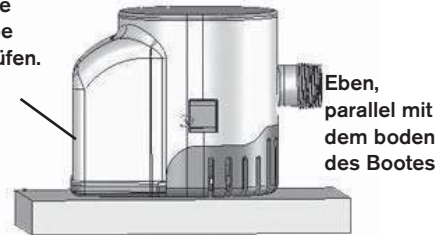
> Deutsch

stallieren. Für 1 1/8"-Modelle befestigen Sie Ihren Schlauch über dem Gewindeanschluss [1 1/8" oder 1 1/4"]. Verwenden Sie einen Schlauch aus rostfreiem Stahl. Falls Sie ein optionales Rückschlagventil installieren, stellen Sie sicher, dass Sie das Ventil am Duraport prüfen, bevor Sie den Schlauch und die Anschlüsse installieren. Das Rückschlagventil für das Modell [1 1/8" oder 1 1/4"] enthält eine Unterlegscheibe aus rostfreiem Stahl und eine Klappe. Zum Installieren des Rückschlagventils stellen Sie die Unterlegscheibe aus rostfreiem Stahl in den Ablaufbereich der Pumpe. Danach stellen Sie die Nitril-Klappe auf die Unterleg-Scheibe. Danach drehen Sie den Anschluss auf den Pumpenablauf. Ziehen Sie den Anschluss an, bis der Anschluss am Boden des Pumpengehäuses ist. Beim Modell 3/4" installieren Sie das Rückschlagventil so, dass das konische Ende in Flussrichtung zeigt. Zum Installieren des Rückschlagventils entfernen Sie den Dichtring aus dem Duraport und ersetzen Sie den Dichtring mit dem Rückschlagventil, dass auch als Dichtring fungiert. Bewahren Sie den alten Dichtring auf für den Fall, dass Sie das Rückschlagventil in der Zukunft nicht mehr verwenden wollen.

Stellen Sie sicher, dass der Schlauch weder Schleifen hat, noch geknickt ist. Unterstützen Sie den Schlauch bei Bedarf. Es ist wichtig, dass der Schlauch immer steigt und nicht unter das Niveau der Abflussöffnung fällt, da dies einen Lufteinschluss mit sich bringen kann. Für eine maximale Leistung verwenden Sie einen innen glatten, verstärkten Schlauch.

HINWEIS: Das mit der Ultima-Lenzpumpe mitgelieferte Rückschlagventil wird zur Vorbeugung des Rückflusses von Wasser benutzt. Die Verwendung des Rückschlagventils verlangt Aufmerksamkeit gegenüber dessen Funktionalität. Das Material des Rückflussventils ist aus Nitril, das ausschließlich für Wasseranwendungen eingesetzt werden soll. Außerdem verkleinert das Rückschlagventil den Pumpendurchfluss. Falls der Durchfluss bei der Einsetzung der Pumpe wichtig ist, wird empfohlen, das Rückschlagventil nicht zu benutzen. Falls Sie ihr Boot winterfest machen, sollten Sie das Rückschlagventil entfernen, um Eisbildung und/oder Erosion des Rückschlagventils zu vermeiden.

Setzen Sie ihre Finger auf die Kreise, um die Pumpe zu prüfen.



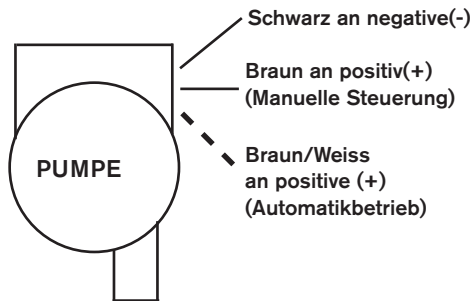
Montageblock

Verdrahtungsanweisungen:

Sehen Sie sich den Schaltplan unten an. Verwenden Sie die richtigen Anschlüsse für den Drahtquerschnitt 16. Die Drahtanschlüsse sollten mit wasserfesten Dauerklemmen gemacht werden. Zum Bedecken der Klemmen sollte flüssiges Isolierband verwendet werden. Die Montageanschlüsse sollten über den höchsten Wasserstand sein. Der Garantieanspruch wird ungültig, wenn ein elektrischer Draht auf mehr als 3 Zoll zurückgeschnitten ist, falls elektrische Verbindungen ins Wasser getaucht werden, eine inkorrekte Sicherung verwendet wird oder bei der Installation der Pumpe Anweisungen oder Warnungen nicht beachtet wurden.

Sie können ein Dreizeige-Bedienfeld installieren, das es ermöglicht, die Pumpe im Hand- oder Automatikbetrieb zu betreiben. Stellen Sie sicher, dass die Pumpe gesichert wird. Der Sicherungsträger sollte sich zwischen der positiven Batterieklemme und dem Dreizeige-Bedienungsschalter befinden. Stellen Sie sicher, dass Sie eine Sicherung mit der richtigen Größe für Ihr Modell verwenden. Zur Überprüfung des Pumpenbetriebs stellen Sie zwei Fingern über die erhobenen, kreisförmigen Bereiche auf der Rückseite der Pumpe. Nach einer kurzen Verzögerung [5 Sekunden] sollte sich die Pumpe einschalten. Falls Sie Ihren Finger vom oberen Kreis entfernen, sollte die Pumpe eingeschaltet bleiben. Falls Sie beide Fingern entfernen, sollte sich die Pumpe ausschalten.

> Deutsch



*** Stellen Sie sicher, dass Sie einen Abstand von mindestens 1 Zoll [25 mm] von den Sensoren der Ultima Lenzpumpe zu jeglichen Wänden oder der Umgebung haben. Falls es keinen genügenden Abstand gibt, können die Sensoren ein Objekt entdecken und die Pumpe kontinuierlich laufen lassen. ***

Wartung:

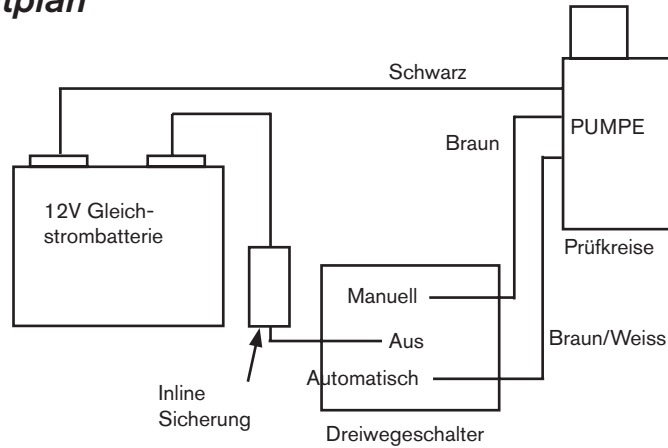
Die Ultima-Lenzpumpe ist störungs- und wartungsfrei konzipiert. Allerdings sollte zur Sicherung eines optimalen Pumpenbetriebs dafür gesorgt werden, dass das Antriebsrad frei von Fremdkörpern ist. Stellen Sie sicher, dass die Stromverbindung während der Wartungsarbeiten getrennt ist. Um den Zugang zum Antriebsrad zu sichern, entfernen Sie die Pumpe vom Antriebsrad, indem Sie die seitlichen Verschlussnasen auf dem Pumpengehäuse drücken und die Pumpe vom Antriebsrad herausziehen. Zur Reinigung des Antriebrades nehmen Sie die Schutzrippen des Antriebrades, rotieren Sie das Antriebsrad im Uhrzeigersinn, und ziehen Sie es aufrecht heraus. Entfernen und reinigen Sie das Antriebsrad und die Pumpe von allen angesammelten Fremdkörpern. Entfernen Sie alle angesammelten Fremdkörper auch vom Antriebsrad. Nach der Reinigung des Antriebrades ersetzen Sie den Schutz des Antriebrades, indem Sie die Verschlussnasen mit den Schlitzen ausrichten und gegen Uhrzeigersinn drehen, wobei Sie darauf achten, dass sie nicht zu stark anziehen. Der Schutz sollte so lange gedreht werden, bis er fest ist. Stellen Sie das Pumpengehäuse auf das Antriebsrad, indem Sie sicher stellen, dass die beiden Verschlussnasen auf dem Pumpengehäuse einrasten.

Garantieinformationen

Die Firma Johnson Pumps of America of 10509 United Parkway, Schiller Park, Illinois 60176 garantiert dem Erstkäufer, dass dieses Produkt für einen Zeitraum von drei (3) Jahren ab Kaufdatum frei von Material- und Bearbeitungsschäden ist, unter Voraussetzung, dass das Gehäuse nicht geöffnet oder die Pumpe auf jegliche andere Weise missbraucht wird.

> Deutsch

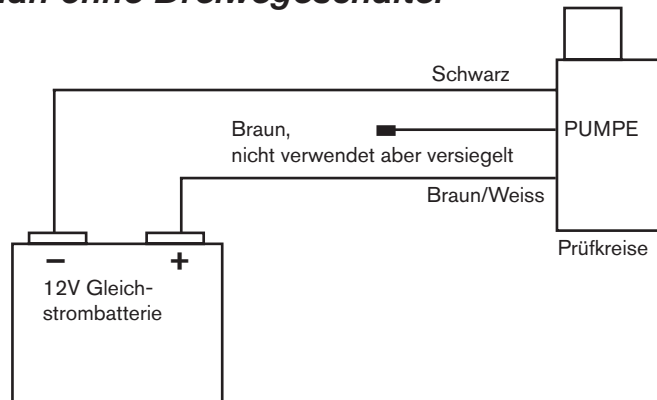
Schaltplan



Mit einem Dreiwegeschalter kann die Pumpe sowohl manuell als auch automatisch betätigt werden.

Wie aus der Abbildung hervorgeht, wird der schwarze (-) Masseleiter an den Minuspol der Batterie angeschlossen. Für manuellen Betrieb wird der braune Leiter von der Pumpe an die Schalttafel angeschlossen. Für automatischen Betrieb wird der braune Leiter mit weißer Kennzeichnung an die Schalttafel angeschlossen. Zwischen dem Pluspol der Batterie und der Schalttafel muss eine passende Inline-Sicherung eingesetzt werden (s. Abb.).

Schaltplan ohne Dreiwegeschalter



Ultima Bilge - Pompe de Fond de cale Ultima Bilge

Attention: Veuillez SVP lire et suivre toutes les instructions avant l'installation et l'usage de ce produit. Toujours déconnecter l'alimentation électrique durant les travaux d'installation, d'entretien ou de maintenance de ce produit. La pompe de fond de cale Ultima Bilge n'a été soigneusement conçue que pour évacuer les eaux stagnantes. Ces pompes ne sont pas prévues pour l'organisation sécurité. Les capacités de la pompe Bilge peuvent ne pas être suffisantes pour empêcher une inondation par une rapide accumulation d'eau par une tempête, une météorologie difficile et/ou une brèche soudaine à la suite de dégâts à la coque et/ou des conditions de navigation hasardeuses.

Concernant la pompe Ultima Bilge

La pompe de fond de cale Ultima Bilge est une pompe à la pointe du progrès qui utilise une technologie de captage électronique avancée pour détecter la présence d'eau dans la zone du fond de cale d'un navire et donc pour l'évacuation de cette eau. Elle est équipée de la technologie éprouvée UltimaSwitch qui utilise les micros champs électriques pour détecter la présence d'eau. La pompe de fond de cale Ultima Bilge est une pompe étanche, submersible et elle est équipée d'un commutateur électronique à flotteur pour une installation simple par l'utilisateur.

Avertissements:

Pour éviter des blessures ou de dégâts matériels durant les travaux d'installation, d'entretien ou de maintenance, assurez-vous de déconnecter l'alimentation électrique. Cette pompe n'a été conçue que pour l'évacuation de l'eau stagnante en fond de cale et ne doit pas être utilisée pour pomper des produits pétroliers tels que de l'essence, de l'huile ou des liquides inflammables. Assurez-vous d'utiliser le fusible du calibre recommandé pour le modèle de votre pompe. L'utilisation d'un fusible erroné peut provoquer des blessures, des dégâts matériels ou un risque d'incendie.

Installation de la pompe de fond de cale Ultima Bilge:

Attention: Lors de l'installation de la pompe de fond de cale Ultima Bilge, assurez-vous que la pompe est libre de tout obstacle, spécialement à proximité de la zone de détecteurs. Si les détecteurs sont bloqués, la pompe restera continuellement en marche!

- 1) Placez un bloc de contre-plaqué marine de 3/4" d'épaisseur comme bloc de montage pour votre base de pompe. Le bloc de montage doit être suffisamment grand pour couvrir la zone de la crépine. Utilisez un adhésif hydro résistant pour fixer le bloc de montage à la coque du navire. Assurez-vous que le bloc de montage soit aussi plat que possible. Placez la pompe dans la partie la plus basse de la cale. Assurez-vous également que la buse d'évacuation est de niveau.
- 2) Enlevez la pompe de la crépine en appuyant sur les deux tirettes latérales et en retirant la crépine du corps de pompe. Utilisez la crépine pour marquer l'emplacement de trois trous de montage. Pour éviter de percer à travers la coque du navire, réglez votre perceuse à la profondeur appropriée des avant-trous. Percez votre avant-trou.
- 3) Vissez trois vis inoxydables de #8 x 5/8" (pas livrées) dans les trous de la crépine pour l'installer. Ne serrez pas trop fort.
- 4) Après que la crépine est installée, placez le corps de pompe au-dessus de la crépine en vous assurant que les tirettes latérales se verrouillent sur le corps de pompe.

Pour les modèles avec refoulement de 3/4" fixez votre tuyau sur le Duraport. Utilisez des brides pour tuyaux en acier inoxydable pour maintenir le tuyau. Si vous installez un clapet de anti-retour optionnel, assurez-vous d'installer le clapet de anti-retour dans le Duraport avant d'installer le tuyau. Pour les modèles de 1 1/8" fixez votre tuyau sur le raccord fileté [1

> Français

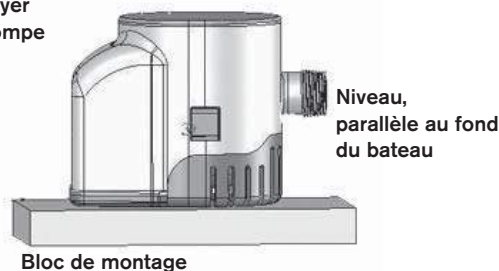
1/8" ou 1 1/4"]. Utilisez des brides pour tuyaux en acier inoxydable pour maintenir le tuyau sur les raccords. Si vous installez un clapet de anti-retour optionnel, assurez-vous d'installer le clapet de anti-retour avant d'installer le tuyau et les raccords. Le clapet de anti-retour pour le modèle [1 1/8" ou 1 1/4"] comprend une rondelle en acier inoxydable et un battant. Pour installer le clapet de anti-retour, mettez la rondelle en acier inoxydable dans l'orifice de refoulement de la pompe. Ensuite mettez le clapet en Nitrile sur la rondelle. Puis vissez le raccord sur l'orifice de refoulement de la pompe. Serrez le raccord jusqu'à ce qu'il soit à niveau avec le corps de pompe.

Pour le modèle 3/4", installez le clapet anti-retour de manière à ce que le pan conique se trouve dans la direction du flux. Pour installer le clapet anti-retour enlevez le joint d'étanchéité dans le Duraport et remplacez-le par le clapet anti-retour qui va également faire office de joint. Conservez l'ancien joint au cas où vous souhaiteriez ne plus utiliser le clapet anti-retour plus tard.

Assurez-vous d'éviter des boucles ou des coudes dans le tuyau. Soutenez le tuyau si nécessaire. Il est important que le tuyau ait une pente constante et il ne doit jamais passer en dessous de l'orifice de refoulement car ceci peut créer une poche d'air. Pour une performance maximale, utilisez un tuyau métallique à alésage lisse.

NOTE: Le clapet de anti-retour livré avec votre pompe de fond de cale Ultima Bilge est utilisé pour éviter le retour d'eau. L'utilisation du clapet de anti-retour vous demande d'être conscient de son fonctionnement. Le matériel du clapet de anti-retour est fabriqué en Nitrile, matériau à n'utiliser que pour l'eau seulement. De même, le clapet de anti-retour diminuera le flux de la pompe. Si le flux est critère critique dans l'application de la pompe, il est recommandé de ne pas utiliser le clapet de anti-retour. Egalement lors de l'hivernage de votre bateau, enlevez le clapet de anti-retour pour éviter la formation de glace et/ou une dégradation du clapet de anti-retour.

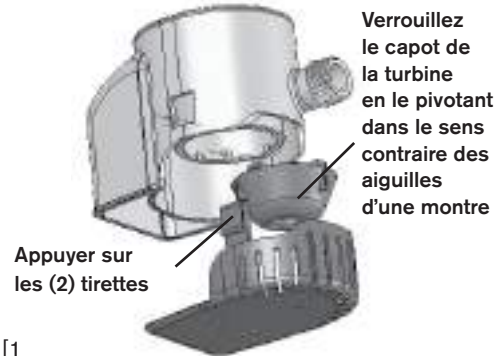
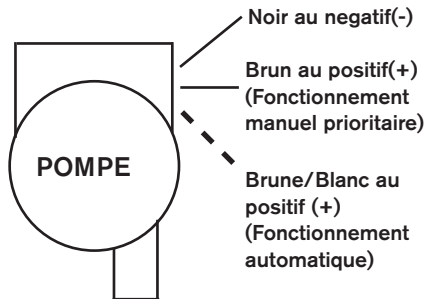
Mettez les doigts sur les cercles pour essayer la pompe



Instructions de câblage:

Veillez vous référer au schéma de câblage ci-dessous. Utilisez des connecteurs appropriés pour des fils de calibre 16. Les raccordements doivent être exécutés avec des bornes hydro résistantes permanentes. Un bain d'isolant liquide doit être utilisé pour recouvrir les bornes. L'installation des bornes de raccordement doit se trouver au-dessus du plus haut niveau d'eau. La garantie devient caduque pour ce produit si un quelconque cordon électrique est dénudé sur plus de 3 pouces, si une épaisseur de câble est submergée, en cas de défaut de fusible de protection ou si la pompe est installée de manière contraire aux instructions ou avertissements.

Vous pouvez installer un sélecteur Panel va-et-vient, ce qui permet à la pompe de fonctionner aussi bien en mode manuel qu'automatique. Assurez-vous de protéger la pompe par un fusible. Le fusible doit être installé entre la borne positive de la batterie et le sélecteur Panel va-et-vient. Assurez-vous d'utiliser le bon calibre de fusible pour les différents modèles. Pour vérifier le fonctionnement de la pompe, mettez deux doigts sur les zones circulaires en relief au dos de la pompe. Après un petit délai [5 secondes], la pompe doit se mettre en marche. Si vous enlevez votre doigt du cercle supérieur, la pompe doit continuer à fonctionner. Si vous enlevez les deux doigts, la pompe doit s'arrêter.



Assurez-vous d'avoir au moins 1 pouce [1 inch = 25MM] de distance entre les capteurs de la pompe de fond de cale Ultima Bilge et une quelconque paroi ou un objet environnant. S'il n'y a pas assez de jeu, les capteurs peuvent détecter l'objet et laisser la pompe continuellement en marche.

Maintenance:

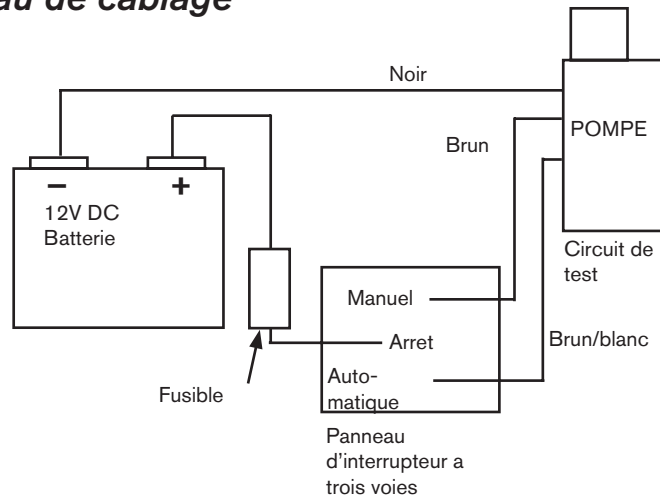
La pompe de fond de cale Ultima Bilge est conçue pour être sans souci et sans maintenance. Cependant, il faut prendre le soin de s'assurer que la roue de la turbine est libre de débris pour un fonctionnement optimum de la pompe. Assurez-vous que l'alimentation électrique est déconnectée durant les travaux de maintenance de la pompe. Pour accéder à la turbine, retirez la pompe de la crépine en appuyant sur les deux tirettes latérales situées sur le corps de pompe et en levant la pompe de la crépine. Pour nettoyer la turbine, tenez les ailettes du capot de la turbine et faites tourner le capot dans le sens des aiguilles d'une montre et tirez directement vers vous. Enlevez tous les débris accumulés et nettoyez la turbine. Assurez-vous de nettoyer absolument tous les débris qui se sont accumulés sur la crépine également. Une fois que la turbine est propre, remplacez le capot de la turbine en alignant les griffes avec les fentes et en tournant le capot dans le sens contraire des aiguilles d'une montre, tout en vous gardant de serrer exagérément. Le capot doit être tourné jusqu'à ce qu'il soit bloqué fermement. Installez le corps de pompe sur la crépine en vous assurant que les deux tirettes s'accrochent au corps de pompe.

Information concernant la garantie

Johnson Pumps of America situé à 10509 United Parkway, Schiller Park, Illinois 60176 garanti au premier acheteur que le produit n'a pas de défaut aussi bien en ce qui concerne le matériel que la construction, pour autant que l'emballage n'a pas été ouvert, ou que la pompe n'a pas été endommagée autrement pour une période de trois (3) ans à partir de la date d'achat.

> Français

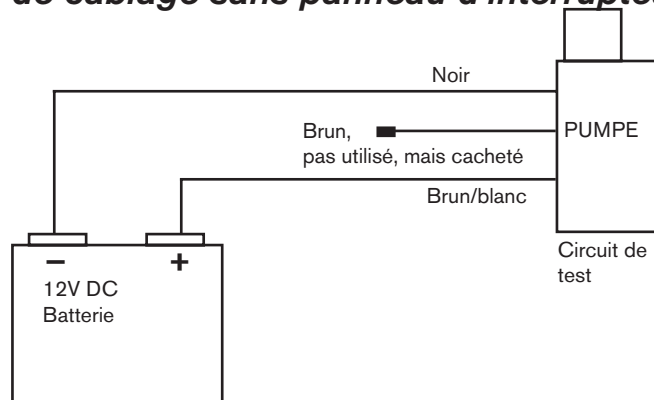
Tableau de câblage



Si vous utilisez un interrupteur à trois voies, vous pouvez câbler votre pompe de manière à la faire fonctionner manuellement ou automatiquement.

Comme montré dans le diagramme, raccordez le fil de terre noir (-) à la borne négative de la batterie. Pour un fonctionnement manuel, raccordez le fil brun de la pompe sur le panneau d'interrupteur. Pour un fonctionnement automatique, raccordez le fil brun avec une ligne blanche au panneau d'interrupteur. Assurez-vous de placer un fusible approprié sur la ligne venant de la borne positive de la batterie vers le panneau d'interrupteur comme indiqué.

Tableau de câblage sans panneau d'interrupteur



Ultima Bilge - Bomba de Desfonde Ultima

Cuidado: Por favor, lea y siga todas las instrucciones antes de instalar y usar este producto.

Desconecte siempre las fuentes de energía durante la instalación, el servicio o el mantenimiento de este producto. La Bomba de Desfonde Ultima ha sido cuidadosamente diseñada para evacuar agua estancada únicamente. Estas bombas no se pretende que sirvan para el control de daños. La capacidad de la bomba de desfonde puede que no sea suficiente para prevenir una inundación por acumulación rápida de agua debido a tormentas, tiempo severo y/o fugas rápidas creadas por daños en el casco y/o condiciones de navegación no seguras.

A Cerca de la Bomba de Desfonde Ultima

La bomba de desfonde Ultima es una bomba de desfonde muy moderna que usa tecnología sensorial electrónica avanzada para detectar la presencia de agua en el área de desfonde de un barco y consecuentemente para librarse de ese agua. Está construida sobre la tecnología probada UltimaSwitch que usa campos micro-eléctricos para detectar la presencia de agua. La bomba de desfonde Ultima es una bomba sumergible, sellada y con un interruptor de flote electrónico que le permite una instalación simple para el usuario final.

Avisos:

Para evitar el daño personal o el daño a la propiedad durante la instalación, servicio y mantenimiento, asegúrese de desconectar la fuente de energía.

Esta bomba fue diseñada para sacar agua estancada solo y no debería usarse para bombear productos derivados del petróleo tales como la gasolina, el gasoil o líquidos inflamables.

Asegúrese de usar el tamaño de fusible apropiado recomendado por el modelo de su bomba. Usar el fusible equivocado puede provocar daños personales, daños a la propiedad y riesgo de fuego.

Instalar la Bomba de Desfonde Ultima:

Cuidado: *Cuando esté instalando la Bomba de Desfonde Ultima, asegúrese de que la bomba está limpia de obstáculos especialmente en el área del detector. Si los detectors está bloqueados, la bomba permanecerá constantemente encendida.*

- 1) Ponga un bloque de madera laminada marina de 3/4" de espesor como bloque de montaje para la base de su bomba. El bloque de montaje debería ser lo suficientemente grande como para cubrir el área de filtrado. Use un pegamento a prueba de agua para pegar el bloque de montaje al casco de la embarcación. Asegúrese de que el bloque de montaje está tan plano como sea posible. Coloque la bomba en el lugar más bajo del desfonde. Asegúrese también de que la boquilla de vaciado está nivelada.
- 2) Quite la bomba del filtro presionando las dos lengüetas laterales y sacando el filtro del cuerpo de la bomba. Use el filtro para marcar los agujeros de montaje. Para evitar la perforación del casco de la embarcación, configure su taladro a la profundidad apropiada para los agujeros piloto. Taladre su agujero piloto.
- 3) Ponga tres tornillos de acero inoxidable de #8 x 5/8" (no suministrados) en los agujeros del filtro para montar el filtro. No los apriete demasiado.
- 4) Una vez que el filtro esté montado, ponga el cuerpo de la bomba en el filtro asegurándose de que las lengüetas laterales se cierran en el cuerpo de la bomba.

> Español

Para los modelos de descarga de 3/4" ponga su tubería flexible sobre el Duraport. Use abrazaderas de acero inoxidable para asegurar la tubería flexible. Si se instala la válvula de control opcional, asegúrese de instalar la válvula en el puerto Duraport antes de instalar la tubería flexible. Para los modelos de 1 1/8" ponga la tubería flexible sobre el puerto engarzado [1 1/8" o 1 1/4"] Use abrazaderas de acero inoxidable para asegurar la tubería flexible a los puertos. Si se instala la válvula de control opcional, asegúrese de instalar la válvula antes de instalar la tubería flexible y los puertos. La válvula de control para el modelo [1 1/8" o 1 1/4"] incluirá una arandela de acero inoxidable y una charnela. Para instalar la válvula de control, ponga la arandela de acero inoxidable en el área de filtrado de la bomba. A continuación coloque la charnela Nitrile sobre la arandela. Después engarce el puerto en la descarga de la bomba. Apriete el puerto hasta que el puerto llegue al fondo del cuerpo de la bomba.

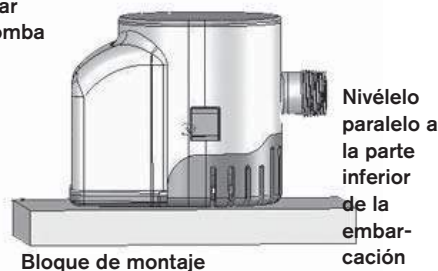
Para el modelo 3/4", instale la válvula de control de manera que el extremo afilado esté situado hacia la dirección del flujo. Para instalar la válvula de control, retire la junta en Duraport y reemplácela por la válvula de control, que tiene la misma función que la junta. Guarde la junta antigua en caso de que decida no utilizar la válvula de control en un futuro

Asegúrese de que evita lazos o dobleces en la tubería flexible. Tubería flexible de soporte si es necesaria. Es importante que la tubería flexible esté hacia arriba siempre y que no se le permita bajar más debajo de la salida del puerto ya que esto causaría una situación de burbuja de aire. Para un rendimiento máximo use una tubería flexible reforzada con una pared interior suave.

NOTA: La válvula de control suministrada con su bomba de desfonde Ultima se usa para evitar que el agua fluya hacia atrás. La utilización de la válvula de control requiere que usted sea consciente de su funcionalidad. El material de la válvula de control

está hecho de Nitrilo que solo se usa para aplicaciones de agua. La válvula de control también reducirá el flujo de la bomba. El flujo es muy importante para la aplicación de la bomba y se recomienda que no se use la válvula de control. También, cuando esté preparando su embarcación para el invierno, quite la válvula de control para evitar que se forme hielo y/o la degradación de la válvula de control.

Ponga los dedos en los círculos para probar la bomba

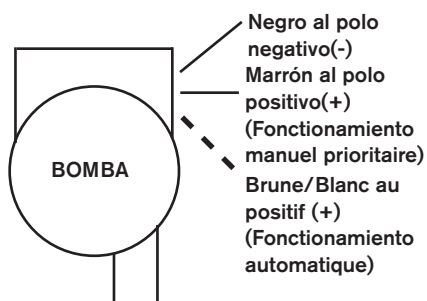


Instrucciones para la instalación eléctrica:

Refiérase al diagrama de cableado de abajo. Use los conectores de tamaño apropiado para un cable de calibre 16. Los conectores eléctricos deberían ser resistentes al agua en las terminales permanentes. Se debería usar una cinta líquida eléctrica para forrar las terminales. Los soportes de las conexiones deberían estar por encima del máximo nivel de agua. La garantía será nula en este producto si se corta cualquier cable electrónico más de 3 pulgadas/7.62 cm, si los empalmes eléctricos se sumergen o si no se usa correctamente o si la bomba se instala sin seguir las instrucciones.

Puede instalar un panel de interruptores de tres vías que permitirá a la bomba funcionar en modo manual o automático. Asegúrese de instalar los fusibles en la bomba. El recipiente de los fusibles debería estar entre la terminal positiva de la batería y el panel del interruptor de tres vías. Asegúrese de usar el tamaño de fusible apropiado recomendado para los modelos. Para revisar el funcio-

namiento de la bomba ponga dos dedos sobre las áreas circulares levantadas en la parte trasera de la bomba. Después de un corto espacio (5 segundos), la bomba debería encenderse. Si quita el dedo del círculo superior, la bomba debería permanecer encendida. Si quita los dos dedos, la bomba debería apagarse.



Asegúrese de tener al menos una pulgada [25 MM] de espacio libre entre los sensores en la bomba de desfonde Ultima a cualquier pared o alrededores. Si no hay suficiente espacio libre, los sensores pueden detectar el objeto y dejar que la bomba funcione de manera continua.

Mantenimiento:

La bomba de desfonde Ultima está diseñada para estar libre de preocupaciones y no tener problemas de mantenimiento. Sin embargo, se debería tener cuidado para asegurarse de que el propulsor está libre de basura para un funcionamiento óptimo de la bomba. Asegúrese de que la bomba está desconectada durante las operaciones de mantenimiento. Para acceder al propulsor, quite la bomba del filtro presionando hacia abajo las lengüetas de cierre laterales en el cuerpo de la bomba y saque la bomba del filtro. Para limpiar el propulsor, agarre las aletas de defensa del propulsor y gire la seguridad del propulsor como las agujas del reloj y sáquelo. Quite y limpie el propulsor y la bomba de toda la basura que haya acumulado. Asegúrese de limpiar toda la basura que se haya

acumulado en el filtro también. Después de que el propulsor esté limpio, vuelva a poner la seguridad del propulsor alineando las lengüetas con las ranuras y girando al revés que las agujas de reloj, asegurándose de que no están demasiado ajustadas. La seguridad debería girar hasta que esté firme. Ponga el cuerpo de la bomba en el filtro asegurándose de que las dos lengüetas de cierre se ajustan en el cuerpo de la bomba.

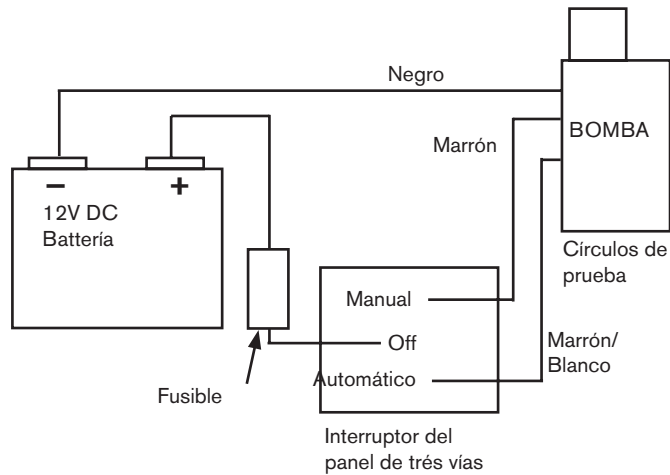


Información acerca de la Garantía

Johnson Pumps of America, con sede central en 10509 United Parkway, Schiller Park, Illinois 60176, garantiza al comprador original que este producto estará exento de defectos de material y fabricación por un periodo de tres (3) años a partir de la fecha de compra inicial, a condición que la carcasa no se abra ni la bomba sea objeto de algún otro uso indebido.

> Español

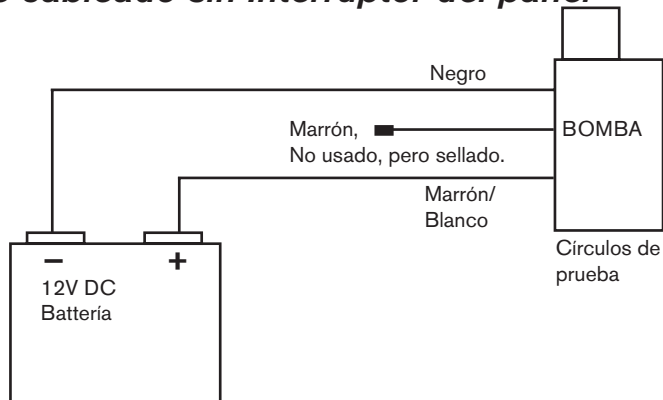
Tabla de cableado



Si está usando un interruptor de 3-vías, puede cablear su bomba para funcionar de forma manual o automática.

Como se muestra en el diagrama, conecte el cable de tierra negro (-) a la terminal negativa de la batería. Para su funcionamiento manual, conecte el cable marrón desde la bomba hasta el panel de interruptores. Para funcionamiento automático, conecte el cable marrón con rastreador blanco al panel de interruptores. Asegúrese de conectar un fusible en línea apropiado que venga del terminal positivo de la batería al panel de interruptores como se muestra.

Tabla de cableado sin Interruptor del panel



Ultima Bilge - Pompa di sentina Ultima

Attenzione: prima dell'installazione e dell'uso di questo prodotto vi preghiamo di leggere e seguire attentamente tutte le istruzioni. Interrompete sempre la corrente elettrica durante l'installazione o la manutenzione di questo prodotto. La pompa di sentina Ultima è stata accuratamente progettata per l'esclusiva aspirazione di acqua stagnante. Questo tipo di pompa non può essere utilizzato per il controllo di avarie. La capacità di queste pompe di sentina può non essere sufficiente per prevenire allagamenti causati da un rapido accumulo di acqua dovuto a temporali, cattivo tempo e/o falle improvvise create da danni allo scafo e/o da condizioni di navigazione pericolose.

Informazioni sulla pompa di sentina Ultima

Ultima è una pompa di sentina automatica d'avanguardia che utilizza una avanzata tecnologia elettronica per rilevare la presenza di acqua nell'area di sentina di una nave e di conseguenza per operarne il deflusso. Essa si basa sulla ben sperimentata tecnologia UltimaSwitch, che si serve di campi microelettrici per rilevare la presenza di acqua. La pompa di sentina Ultima è una pompa sommersa impermeabile ed un interruttore di flusso elettronico di semplice installazione per l'utilizzatore finale.

Avvertenze:

Al fine di evitare danni a persone o cose durante l'installazione e la manutenzione della pompa, assicuratevi di aver interrotto la corrente elettrica. Questa pompa è stata progettata per l'aspirazione esclusiva di acqua stagnante di sentina e non deve essere utilizzata per pompare derivati del petrolio quali benzina, olio o liquidi infiammabili. Assicuratevi di utilizzare fusibili di dimensioni appropriate, indicate per ciascun modello di pompa. L'uso di un fusibile non appropriato può causare danni a persone o cose e pericolo di incendio.

Installazione della pompa di sentina Ultima:

Attenzione: *Durante l'installazione della pompa di sentina Ultima, assicuratevi che la pompa sia libera da ogni tipo di ostacolo, in particolare vicino alla zona di rilevazione. Se i rilevatori sono ostruiti, la pompa resterà continuamente attivata!*

- 1) Posizionate un pannello di compensato per uso marittimo delle dimensioni di 3/4" come supporto per la base della pompa. Il pannello dovrebbe essere abbastanza grande da coprire l'area del filtro. Utilizzate un adesivo impermeabile per applicare il pannello di supporto allo scafo dell'imbarcazione. Assicuratevi che il pannello di supporto sia il più possibile uniforme. Collocate la pompa nella zona inferiore della sentina. Assicuratevi quindi che l'ugello di scarico sia a livello.
- 2) Rimuovete la pompa dal filtro premendo le due linguette laterali ed estraendo il filtro dal corpo della pompa. Utilizzate il filtro per demarcare tre fori di montaggio. Al fine di evitare fori allo scafo dell'imbarcazione, tarate il trapano alla giusta profondità per i fori pilota. Eseguite quindi i fori guida.
- 3) Inserite tre viti inossidabili #8 x 5/8" (non fornite) nei fori per il montaggio del filtro. Non serrate le viti eccessivamente.
- 4) Dopo aver montato il filtro, collocate il corpo della pompa sul filtro assicurandovi che le linguette laterali si chiudano bene sul corpo della pompa.

Per i modelli di scarico 3/4" collegate il flessibile sul Duraport ed utilizzate delle apposite grappe in acciaio inossidabile per fissare il flessibile. Se desiderate installare la valvola di controllo opzionale, assicuratevi di inserirla nel Duraport prima di installare il flessibile. Per i modelli 1 1/8" applicate il flessibile sui fori filettati [1 1/8" o 1 1/4"] ed utilizzate apposite grappe in acciaio inossidabile per fissare

> Italiano

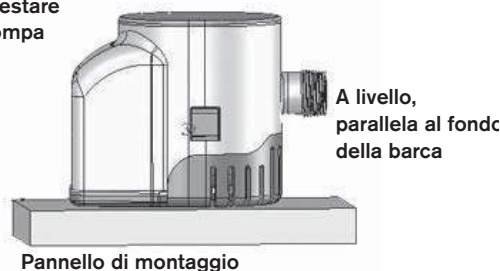
il flessibile ai fori. Se desiderate montare la valvola di sicurezza opzionale, assicuratevi di installarla prima di fissare il flessibile ai fori. La valvola di controllo per il modello [1 1/8" o 1 1/4"] include una rondella in acciaio inossidabile ed una valvola di gomma a ciabatta. Per l'installazione della valvola di controllo, collocate la rondella in acciaio inossidabile nell'area di scarico della pompa. Quindi posizionate la ciabatta di Nitrile sulla rondella, infilate il foro sullo scarico della pompa e serratelo fino a fissarne il fondo al corpo della pompa.

Sul modello 3/4" installate le valvole di controllo in modo che l'estremità conica sia rivolta in direzione del flusso. Per installare le valvole di controllo rimuovete la guarnizione nel Duraport e sostituitela con le valvole di controllo, che fungono anche da guarnizione. Conservate la vecchia guarnizione per il caso in cui decidiate successivamente di non utilizzare le valvole di controllo.

Assicuratevi che non si formino occhielli o pieghe nel flessibile. Se necessario, utilizzate dei sostegni per il flessibile: è importante che essa sia sempre in posizione elevata e non possa essere immersa al di sotto della porta di scarico, perché ciò potrebbe causare una situazione di interruzione del flusso a causa di una sacca d'aria. Per ottenere il massimo delle prestazioni, utilizzate un flessibile rinforzato e con anima liscia.

NOTA: La valvola di controllo in dotazione alla pompa di sentina Ultima serve a prevenire il riflusso dell'acqua. L'utilizzo della valvola di controllo richiede attenzione per la sua funzionalità. Il materiale della valvola di controllo è fatto di Nitrile e può essere impiegato solo per uso con acqua. La valvola di controllo riduce il flusso della pompa. Pertanto, se il flusso è cruciale per l'utilizzo della pompa, si raccomanda di non impiegare la valvola di controllo. Inoltre, durante la predisposizione dell'imbarcazione per il funzionamento a basse temperature, la valvola di controllo va rimossa per evitare la formazione di ghiaccio e/o la sua degradazione.

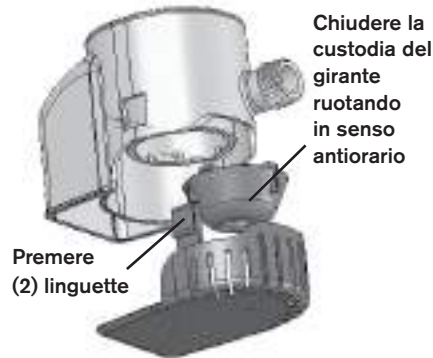
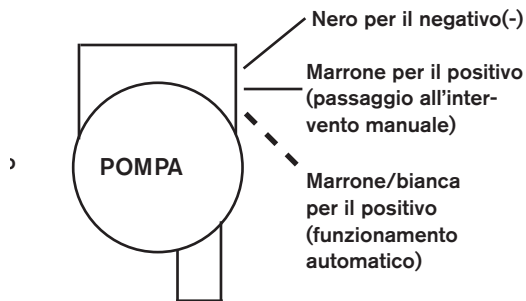
Mettete le dita sui cerchi per testare la pompa



Istruzioni di cablaggio:

Fate riferimento allo schema elettrico sottostante. Utilizzate dei connettori di dimensioni appropriate per il filo calibro 16. I collegamenti dei fili dovrebbero essere fatti con morsetti permanenti resistenti all'acqua. Per rivestire i morsetti bisognerebbe utilizzare del nastro elettrico liquido. I collegamenti di supporto dovrebbero essere al di sopra del livello più alto dell'acqua. La garanzia sul prodotto perde validità nei seguenti casi: se qualsiasi filo elettrico è stato accorciato di più di 3 pollici, se i giunti elettrici vengono a trovarsi sotto il livello dell'acqua, se non vengono impiegati i fusibili corretti ed in modo appropriato, o se la pompa non è installata conformemente alle istruzioni o alle avvertenze.

E' possibile installare un pannello con commutatore deviatore che consenta alla pompa di funzionare in modo automatico o manuale. Assicuratevi di munire la pompa di fusibili. Il portafusibili dovrebbe essere collocato tra i morsetti positivi della batteria e il commutatore deviatore. Accertatevi di utilizzare fusibili di dimensioni appropriate per ciascun modello. Per controllare il funzionamento della pompa, mettete due dita sulle aree circolari in rilievo sul retro della pompa. Dopo poco [5 secondi], la pompa dovrebbe azionarsi. Rimuovendo un dito dal cerchio, la pompa dovrebbe rimanere in attività. Rimuovendo invece entrambe le dita, la pompa dovrebbe disattivarsi.



Assicuratevi che ci sia almeno 1 pollice [25 mm] di spazio libero tra i sensori della pompa di sentina Ultima e qualsiasi parete o punto circostante. Se non c'è abbastanza spazio, i sensori potrebbero rilevare l'oggetto e far funzionare la pompa continuamente.

Manutenzione:

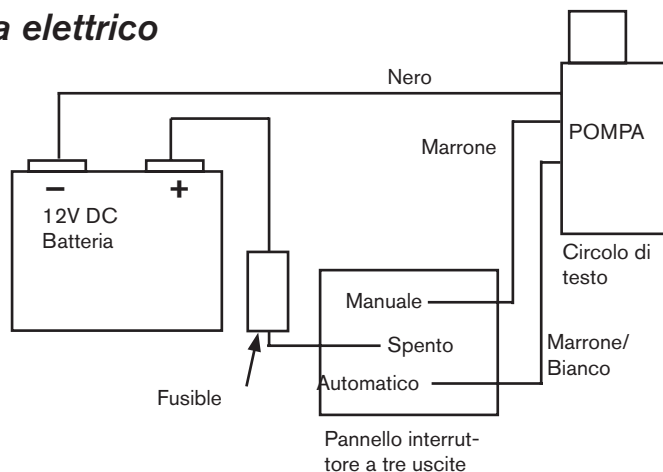
La pompa di sentina Ultima è progettata per non richiedere cure e manutenzione. Tuttavia, per il funzionamento ottimale della pompa bisognerebbe controllare periodicamente che il girante sia libero da detriti. Durante la manutenzione, assicuratevi sempre che l'alimentazione elettrica sia interrotta. Per accedere al girante, rimuovete la pompa dal filtro premendo le linguette di chiusura laterali sul corpo della pompa ed estraendo la pompa dal filtro. Per pulire il girante, afferrate le alette della custodia, ruotate la custodia in senso orario e tirate forte. Quindi rimuovete il girante e pulite girante e pompa da tutti i detriti che si sono accumulati. Assicuratevi di rimuovere anche i detriti che si sono accumulati sul filtro. Dopo aver pulito il girante, riposizionate la custodia allineando le linguette alle apposite fessure e ruotando in senso antiorario, assicurandovi di non stringere eccessivamente. La custodia dovrebbe essere fatta ruotare finché non è ben fissa. Collocate il corpo della pompa sul filtro accertandovi che entrambe le linguette di chiusura scattino sul corpo della pompa.

Garanzia

Tutti i prodotti della Johnson Pumps of America of 10509 United Parkway, Schiller Park, Illinois 60176 sono coperti da 3 anni di garanzia a partire dalla data di acquisto per difetti di materiale e vizi di lavorazione e purché il prodotto non risulti aperto o manomesso in alcun modo.

> Italiano

Schema elettrico



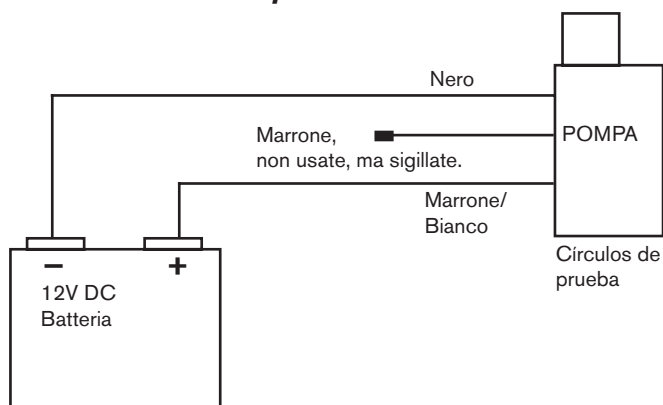
Se si usa un interruttore a 3 uscite, collegare la pompa per funzionare in modo manuale o automatico.

Come mostra il diagramma, connettere il cavo nero di terra (-) al terminale negativo della batteria.

Per operazioni manuali override, connettere il cavo marrone dalla pompa al pannello interruttore.

Per operazioni automatiche, connettere il cavo marrone con il conduttore bianco al pannello interruttore. Assicurarsi di connettere un fusibile in linea appropriato dal terminale positivo della batteria al pannello interruttore come mostrato.

Schema elettrico senza pannello con Interruttore



Technical Specifications:

Dimensions: L=5.60" [142 MM]
W=3.25" [82 MM]
H=4.15"[105 MM]
Weight: 1.45 LBS [0.66 KG]
Material of construction: ABS
Seal: Lip Seal
Fuse Size: 5A @ 12 VDC
16 Ga caulked Wire

Part No.

Part Number	Description
32-47258	Ultima Bilge 600
32-47259	Ultima Bilge 800
32-47260	Ultima Bilge 1000
32-47261	Ultima Bilge 1250

Avfallshantering/materialåtervinning

Vid avfallshantering ska produkten lämnas för destruktion/återvinning enligt gällande lagstiftning. Vid tillämpliga fall demonteras och sorteras produkten i ingående materialfraktioner.

Waste handling & material recycling

At the products end of life, please dispose of the product according to applicable law. Where applicable, please disassemble the product and recycle the parts material.

Entsorgung/Recycling

Nach Lebensdauerende entsorgen Sie die Pumpe nach den örtlichen Vorschriften. Nach Möglichkeit demontieren Sie Teile der Pumpe um sie dem Recycling-Process zuzuführen.

Gestion des déchets/recyclage des matériaux

Lorsque le matériel arrivera en fin de vie, veuillez le mettre au rebut en fonction des lois applicables. Lorsque c'est possible, veuillez démonter le matériel et recycler les pièces pouvant l'être

Desguace/Reciclado

Al final de la vida del equipo disponga de este de acuerdo a la ley. Donde sea de aplicación desmonte el equipo y recicle los diferentes materiales.

Gestione dei rifiuti/riciclaggio dei materiali

Al termine della vita del prodotto si prega di smaltire il prodotto secondo le leggi in vigore per queste operazioni. Quando possibile, si raccomanda di smontare il prodotto e riciclare i materiali dei componenti.

Besök www.johnson-pump.com för mer information om vår världsomspännande organisation, våra godkännanden, certifieringar och lokala representanter. SPX Corporation förbehåller sig rätten att ändra design och material utan föregående avisering. Designelement, konstruktionsmaterial och dimensioner som beskrivs i denna bulletin gäller endast som information och skall alltid bekräftas skriftligt för att vara gällande.

Für weitere Informationen über unsere weltweiten Standorte, Zulassungen, Zertifizierungen und unsere Vertreter vor Ort, besuchen Sie bitte unsere Webseite: www.johnson-pump.com. Die SPX Corporation behält sich das Recht vor, die neuesten Konstruktions- und Werkstoffänderungen ohne vorherige Ankündigung und ohne Verpflichtung hierzu einfließen zu lassen. Konstruktive Ausgestaltungen, Werkstoffe sowie Maßangaben, wie sie in dieser Mitteilung beschrieben sind, sind nur zur Information. Alle Angaben sind unverbindlich, es sei denn, sie wurden schriftlich bestätigt.

Pour plus d'information sur nos succursales internationales, nos approbations, nos certifications et nos représentants locaux, veuillez consulter notre site Internet au www.johnson-pump.com. SPX Corporation se réserve le droit d'incorporer nos plus récents concepts ainsi que tout autre modification importante sans préavis ou obligation. Les éléments décoratifs, matériaux de construction et les données dimensionnelles, tels qu'énoncés dans ce communiqué, sont fournis pour votre information seulement et ne doivent pas être considérés comme officiels à moins d'avis contraire par écrit.

Para más información sobre nuestras oficinas a nivel mundial, aprobaciones, certificaciones y representantes locales, por favor visite www.johnson-pump.com. SPX Corporation se reserva el derecho de incorporar nuestro diseño más reciente y cambios materiales sin necesidad de notificación previa u obligación de ningún tipo. Características de diseño, materiales de construcción y dimensiones, tal y como están descritas en este boletín, son proporcionadas sólo con fines informativos y no deben ser usados como referencia a menos que sean confirmados por escrito.

Per ottenere maggiori informazioni sulle nostre sedi nel mondo, autorizzazioni, certificazioni, e rappresentanti locali, potete visitare il sito www.johnson-pump.com. La SPX Corporation si riserva il diritto di apportare cambiamenti ai propri design e materiali senza preavviso o vincolo. Le caratteristiche del design, i materiali di costruzione e i dati dimensionali, così come descritti nel presente bollettino, sono forniti solo per vostra informazione e non saranno oggetto di obbligazione salvo autorizzazione confermata per iscritto.



Johnson Pumps of America Inc.
1625 Hunter Road, Suite B, Hanover Park, Illinois, 60133, USA
Tel. +1 847 671 7867. Fax +1 847 671 7909.
E-mail:johnson-pump.usa@processequipment.spx.com



SPX Johnson Pump Marine AB
Nastagatan 19, P.O. Box 1436
SE-701 14 Örebro, Sweden
Phone: +46 (0)19 21 83 00 Fax: +46 (0)19 27 23 72
E-mail: johnson-pump.marine@processequipment.spx.com

For more information about our worldwide locations, approvals, certifications, and local representatives, please visit www.johnson-pump.com.

SPX Corporation reserves the right to incorporate our latest design and material changes without notice or obligation. Design features, materials of construction and dimensional data, as described in this bulletin, are provided for your information only and should not be relied upon unless confirmed in writing.

Copyright © 2009 SPX Corporation



Instruction Guide
Models 401C, 403C, 405C, 401STC,
403STC, 405STC, 401FC, 403FC, 405FC
 Replacement motors 45DR, 46DR, 47DR

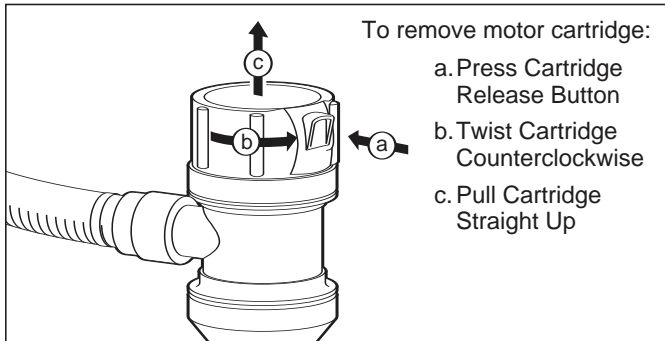
Tournament Series
Livewell/Baitwell Pumps

Description

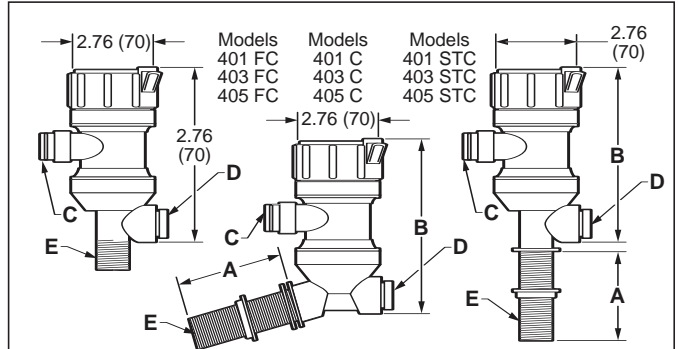
Powerful and long lasting, Rule Tournament Series Cartridge Pumps offer outstanding performance as well as the versatility of replacing the motor cartridge if the motor expires. The cartridge feature also allows complete access to the impeller for easy cleaning and maintenance. Replacing the motor cartridge only allows the fittings and hose to remain totally intact.

To Change Motor Cartridge

1. Block off the thru-hull before removing the motor cartridge
2. Disconnect wiring
3. Press cartridge button, twist counterclockwise and pull motor cartridge straight up
4. Reconnect wire to new motor cartridge
5. Align the arrows and press the new motor cartridge down firmly. Twist motor housing clockwise until cartridge locks in place



Dimensions in inches (mm)



Model	A	B	C	D	E
401C	4.0 (102)	5.87 (149)	3/4-14NPSM	1/2-14NPT	3/4-14NPSM
403C	4.0 (102)	5.87 (149)	3/4-14NPSM	1/2-14NPT	3/4-14NPSM
405C	4.0 (102)	5.87 (149)	1-11.5NPSM	1/2-14NPT	3/4-14NPSM
401STC	4.33 (110)	5.84 (148)	3/4-14NPSM	1/2-14NPT	3/4-14NPSM
403STC	4.33 (110)	5.84 (148)	3/4-14NPSM	1/2-14NPT	3/4-14NPSM
405STC	4.33 (110)	5.84 (148)	1-11.5NPSM	1/2-14NPT	3/4-14NPSM
401FC		5.87 (149)	3/4-14NPSM	1/2-14NPT	3/4-14NPT
403FC		5.87 (149)	3/4-14NPSM	1/2-14NPT	3/4-14NPT
405FC		5.87 (149)	1-11.5NPSM	1/2-14NPT	3/4-14NPT

! WARNING This pump is designed for use with fresh and salt water. Use with any other medium, including particularly hazardous, caustic or corrosive substance, could result in damage to the pump, the surrounding environment and injury to persons or property, including possible exposure to hazardous substances. This pump is for water applications only.

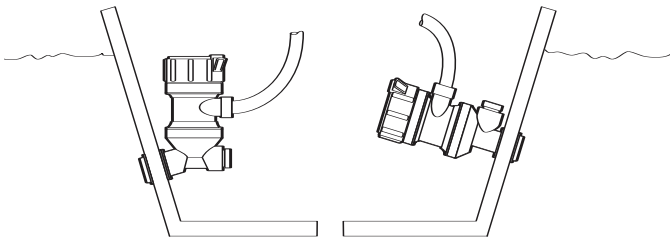
Models

Model #	Description	Required Fuse Size (A)	GPH at Open Flow	GPH at 3.35 ft.
401 C	500 GPH Livewell Pump with Angled Pickup Tube	2.5	500	340
403 C	800 GPH Livewell Pump with Angled Pickup Tube	5	800	490
405 C	1000 GPH Livewell Pump with Angled Pickup Tube	6	1000	710
401STC	500 GPH Livewell Pump with Straight Pickup Tube	2.5	500	340
403STC	800 GPH Livewell Pump with Straight Pickup Tube	5	800	490
405STC	1100 GPH Livewell Pump with Straight Pickup Tube	6	1100	790
401 FC	500 GPH Livewell Pump with 1" Straight Pickup Tube	2.5	500	340
403 FC	800 GPH Livewell Pump with 1" Straight Pickup Tube	5	800	490
405 FC	1100 GPH Livewell Pump with 1" Straight Pickup Tube	6	1100	790

Replacement Motors

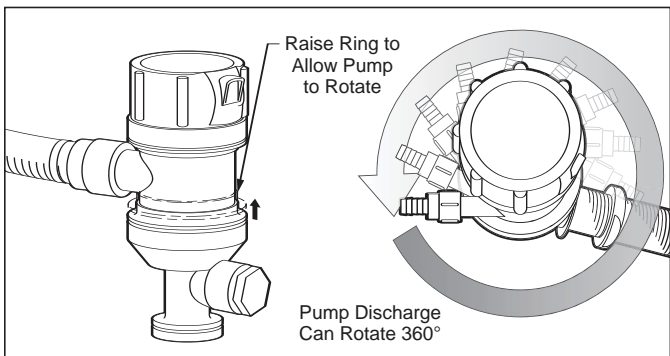
45DR	500 GPH Replacement Motor	2.5	500	340
46DR	800 GPH Replacement Motor	5	800	490
47DR	1000 GPH Replacement Motor	6	1100	790

Mounting the Pump (Models 401C, 403C, 405C, 401STC, 403STC 405STC)



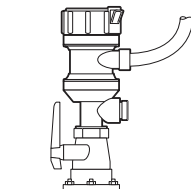
1. Drill a 1" diameter hole through the transom or hull bottom. If drilling through the transom, make sure the hole inside the boat is beneath the waterline outside the boat when the boat is standing still.
2. Place the pump into the hole with the gasket in place on the inside of the boat.
3. Tighten the nut on the outside of the hull until you are sure the gasket ring is tightly sealed. Be careful not to over-tighten. Make sure outlet is at least parallel with boat bottom. This helps prevent airlocks.
4. Saw off the excess length of the pickup tube so it is flush with the outside surface of the nut. In the event you are using a strainer (Rule Model 73), leave 1/2" beyond the nut. Make sure the cut is square and the threads deburred to allow the debris strainer to fit smoothly.

By lifting the locking ring, you can rotate the position of the discharge nozzle so that the discharge is facing toward the tank (see diagram below).



(Models 401FC, 403FC 405FC) Seacock applications

1. Drill a 1" diameter hole through the transom or hull bottom. If drilling through the transom, make sure the hole inside the boat is beneath the waterline outside the boat when the boat is standing still.



2. Install a thru-hull pickup tube with a filter grate to prevent debris from entering the seacock and the pump. Use a marine sealant on the flat surface of the thru-hull where it will be in contact with the outside surface of the boat and around the threaded tube on both sides of the hull. Install the seacock and pump using pipe tape or sealant on all threaded connections.
3. Screw the pump into the seacock until it is hand tight. Do not over-tighten.
4. If the pump is mounted horizontally, the output must be pointed upward to allow air to vent.

KEEP SEACOCK VALVE CLOSED WHEN LIVEWELL IS NOT IN USE

Electrical

WIRE: Normal installations require 16 gauge wire.

POLARITY: Brown pump wire connects to the positive (+) side of the battery. Black pump wire connects to the negative (-) side of the battery.

FUSE: Install proper size fuse & holder in the positive (+) brown wire between the pump and the battery.

500 GPH pumps (Models 401C, 401STC, 401FC) - **INSTALL A 2.5 AMP FUSE**

800 GPH pumps (Models 403C, 403STC, 403FC) - **INSTALL A 5.0 AMP FUSE**

1100 GPH pumps (Models 405C, 405STC, 405FC) - **INSTALL A 6.0 AMP FUSE**

IMPORTANT - THIS PRODUCT SHOULD BE INSTALLED WITH THE RECOMMENDED FUSE SIZE

NOTE: Keep all wire connections and joints above highest possible water level.

Seal wire connections with a marine sealant to prevent corrosion.

Hose Connection

Dual Port Option

Each pump is fitted with an additional 1/2" NPT female port and Hex Plug. This feature allows you to add your washdown pump without adding another thru-hull fitting.

- Use a marine ribbed hose that will not kink with bends and is rated for below water line use.
- Hose should run uphill evenly from pump to livewell tank. You may use a control valve to regulate the flow.
- Use hose clamps when making connections to pump and valve.

! CAUTION

THE PUMP IS BELOW THE WATERLINE. WATER CAN COME INTO THE BOAT THROUGH THE PUMP IF THE HOSE IS NOT CONNECTED TIGHTLY TO THE PUMP.



Engineered for life

Rule
1 Kondelin Road
Gloucester, MA 01930
Tel: 978-281-0573
Fax: 978-283-2619

Made in China

www.rule-industries.com



31295 / 31395 - SERIES AUTOMATIC WATER SYSTEM PUMP

31295 / 31395 - Series

FEATURES

- Smooth Flow
- Self-Priming up to 10 feet (3m)
- Dry running capability
- Soft noise absorbing mounts
- Snap-fit port fittings
- Built-in bypass — less pulsation
- Reduces need for accumulator tank
- Corrosion resistant materials
- Thermal overload protection
- Motor rating: IP 54
- CSA listed
- ISO 8846 MARINE (ignition protection)
- CE



SPECIFICATIONS

Motor: Permanent Magnet, Ball Bearing Totally Enclosed.
Not for Continuous Duty. Intermittent Duty Only.

Pump: Body - Polypropylene
Diaphragm - Santoprene
Valves - EPDM



Pump Series	Dimensions - Inches (mm)			Weight lb. (kg)
	Height	Width	Length	
31X95-XXXX	4-3/4" (121)	6" (152)	9" (229)	3.5 (1.6 kg)

Fittings: (2) 1/2" - 14 Male pipe
(2) 1/2" (13 mm) Hose Barbs

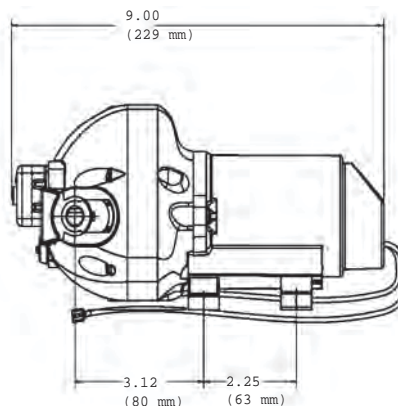
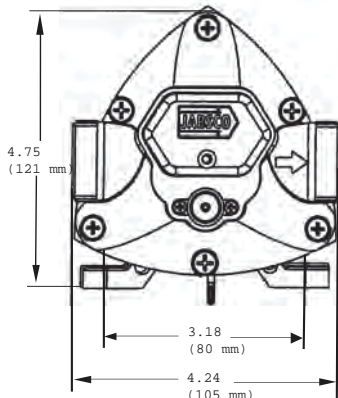
MODEL	VOLTS	AMP DRAW (A) @ 10 psi (0.7 bar)	FUSE SIZE (A)	OPEN FLOW GPM (l/min)	MAX PSI (bar)
31395-0092	12V dc	4.4	10	2.9 (11)	50 (3.4)
31395-0094	24V dc	2.2	5	2.9 (11)	50 (3.4)
31395-0392	12V dc	4.4	10	2.9 (11)	40 (2.7)
31395-0394	24V dc	2.2	5	2.9 (11)	40 (2.7)
31395-0292	12V dc	4.4	10	2.9 (11)	25 (1.7)
31395-0294	24V dc	2.2	5	2.9 (11)	25 (1.7)
31295-0092	12V dc	3.5	10	1.9 (7)	25 (1.7)
31295-0094	24V dc	1.7	5	1.9 (7)	25 (1.7)

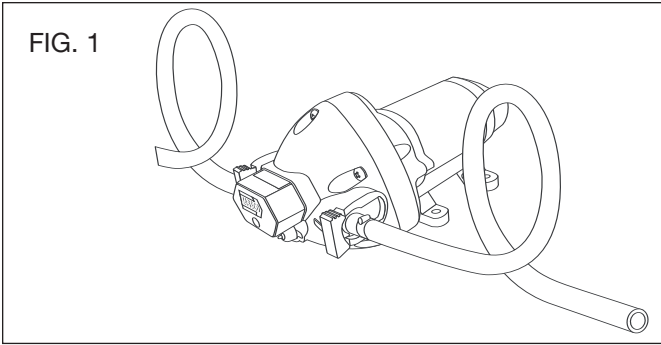
OPERATION

With pump switch off and battery fully charged, fill water tank, open all faucets, then turn pump switch on. Water will begin to flow. When the water is free of air, turn faucets off. Remember,

you are filling the water heater and the toilet and shower lines. When all valves are shut-off, pump will stop. Should pump fail to stop, turn switch off and see the trouble shooting guide.

DIMENSIONAL DRAWING





INSTALLATION

STEP 1

Remove shipping plugs from pump ports. There may be slight amount of water that drains out of the pump as all pumps are tested at the factory before shipment.

STEP 2

A direction arrow can be found on the pump head to indicate direction of flow. Connect the appropriate sized hose to one of the supplied fittings and then connect the hose to the water supply tank outlet. To reduce vibration use 1/2" (13 mm) braided or reinforced flexible hose on the inlet and outlet of the pump as shown on Fig.1. Use hose clamps on the slip-on barb connectors.

WIRING (Fig. 3)

IF YOU ARE NOT FAMILIAR WITH APPLICABLE ELECTRICAL STANDARDS, HAVE THE UNIT INSTALLED BY A QUALIFIED ELECTRICIAN.

Suggested wiring information is given as a reference. For proper information, please reference USCG regulations for marine applications and wiring gauges, connectors and fuse protection.

STEP 1

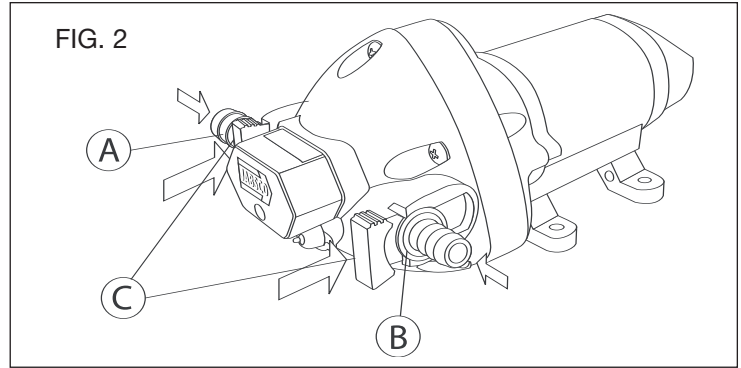
Determine the distance from the power source to the pump and then double the measurement. Wire gauge installation is determined on the entire run length, to the pump and back.

STEP 2

Connect to power supply lead (red)(+) to the positive (+) terminal on the battery or through a properly installed fuse / circuit breaker panel. Then run the length of wire to the pump, connecting the red wire through a switch appropriately rated to the pump's current requirements.

STEP 3

Route the wire so as not to create hazards in operation of the engine, movement of steering components or human traffic.



STEP 3

Slide rubber mounts fully into 4 mounting tracks.

STEP 4

Mount pump horizontally in an accessible location or vertically with pumphead down. Support weight of the pump and attach pumphead mounts first then motor mounts second.

STEP 5 (Fig. 2)

Install inlet A and discharge B port connectors. Firmly push slide clips C forward to lock port connectors in place.

STEP 6 (Fig. 4)

Install a Pumpgard™ strainer in an accessible location (for inspection and cleaning) between the tank and pump inlet in order to protect valves from debris.

STEP 4

Connect the red lead to the red lead on the pump housing located pressure switch.

STEP 5

Connect the black lead from the pump to the ground or negative power side (-) of the vessel.

STEP 6

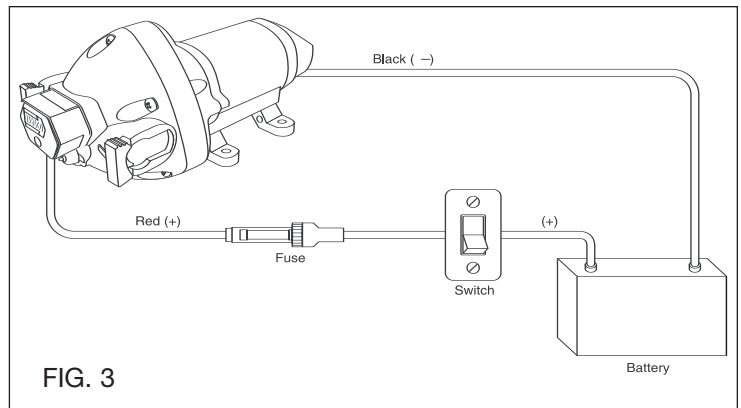
Turn the system off when not in use for extended periods of time or when the water supply tank is empty.

STEP 7

After installation, check voltage at the pump motor. Voltage should be checked when pump is operating. Full voltage must be available at the pump motor at all times for proper pump operation and pump motor life.

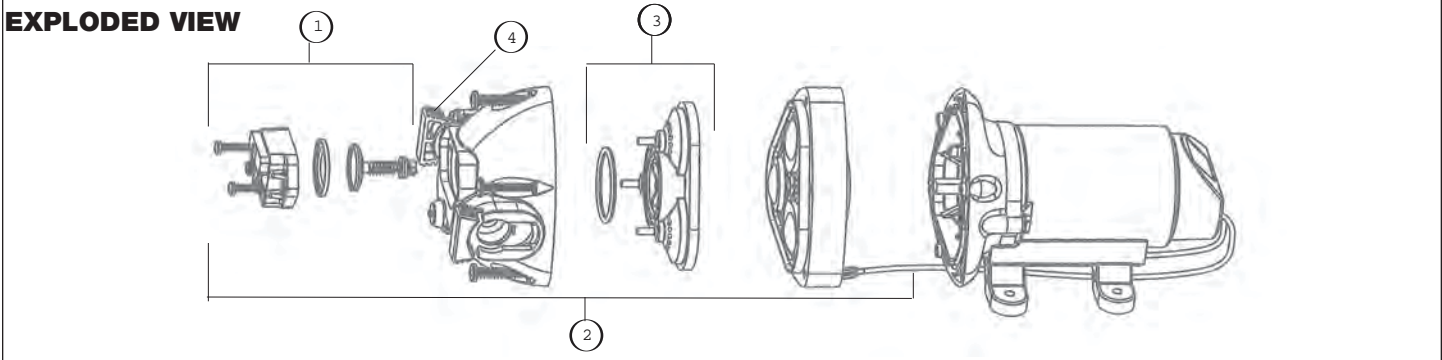
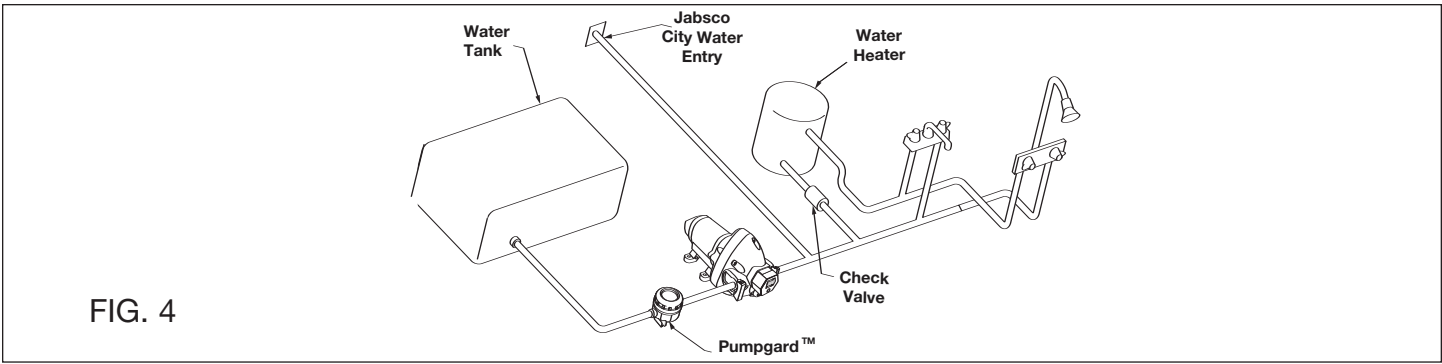
WIRE SIZE

Pump Voltage	Total Wire Length - feet (meters)		
	0 - 20 ft (0 - 6 m)	20 - 35 ft (6 - 9 m)	35 - 55 ft (9 - 12 m)
12 VDC	#14 AWG (2.5 mm ²)	#12 AWG (4 mm ²)	#10 AWG (6 mm ²)
24 VDC	#16 AWG (1.5 mm ²)	#14 AWG (2.5 mm ²)	#12 AWG (4 mm ²)



CAUTION Motor case could get hot during extended operation. Prolonged contact with skin may cause a burn.

WARNING Fire hazard. Wiring must comply with applicable electrical standards and include a properly sized fuse or circuit breaker. Improper wiring can cause a fire resulting in injury or death.



AUTOMATIC WATER SYSTEM PUMP SERVICE PARTS

KEY#	DESCRIPTION	SERIES	
		31395 - XXXX	31295 - XXXX
1	Pressure Switch	(25 psi)	18916-1025
		(40 psi)	18916-1040
		(50 psi)	18916-1050
2	Pumphead Assembly	(25 psi)	18914-1025
		(40 psi)	18914-1040
		(50 psi)	18914-1050
3	Check Valve Assembly	18911-1030	18911-1030
4	Slide Clips (Pair)	30647-1000	30647-1000

**ACCESSORIES
SNAP-IN PORT SYSTEM**

30649-1000 (1 PAIR) SNAP-IN PORT X 1/2" - 14 MALE PIPE STRAIGHT	30654-1000 (1 PAIR) SNAP-IN PORT X 1/2" (13 mm) HOSE BARB STRAIGHT	30653-1000 (1 PAIR) SNAP-IN PORT X 3/4" (19 mm) HOSE BARB STRAIGHT	30650-1000 (1 PAIR) SNAP-IN PORT X GARDEN HOSE STRAIGHT	30655-1000 (1 PAIR) SNAP-IN PORT X 1/2" - 14 MALE PIPE 90° ELBOW	30651-1000 (1 PAIR) SNAP-IN PORT X 1/2" (13 mm) HOSE BARB 90° ELBOW	30642-1000 (1 PAIR) SNAP-IN PORT X 3/4" (19 mm) HOSE BARB 90° ELBOW

Winterizing

Allowing water to freeze in the system may result in damage to the pump and plumbing system. Non-Toxic antifreeze for potable water may be used with Jabsco pumps. Follow manufacturer's recommendations. Refer to boat or equipment manufacturer's instructions for their specific winterizing and drainage procedures. **Do not use automotive antifreeze** to winterize potable water systems. These solutions are highly toxic and may cause serious injury or death if ingested.

1. Drain the water tank. Open tank drain valve. You may use the pump to drain the tank by opening all the faucets in the system. Allow the pump to operate until the tank is empty. Do not operate the pump more than 15 minutes continuously.

2. Open all faucets and purge the water from the plumbing system. Turn off power to the pump. Be sure that all the water from the drain lines is drained.
3. Remove quick-connect inlet and outlet fittings from the pump and turn the pump on to pump out remaining water from the pump head. Be sure to have a catch pan or a rag under the pump to prevent water from spilling onto the boat. Turn the pump off once the plumbing is empty. Leave the fittings disconnected from the pump until the system is ready to be used again. Make a note on your tank filler that the plumbing is not connected.
4. Be sure that all faucets are left open to protect against damage to the plumbing.

Sanitizing

Potable water systems require periodic maintenance to deliver a consistent flow of fresh water. Depending on use and the environment the system is subjected to, sanitizing is recommended prior to storing and before using the water system after a period of storage. Systems with new components, or ones that have been subjected to contamination, should also be disinfected as follows:

(NOTE: The sanitizing procedure is in conformance with the approved procedures of the US Public Health Service.)

1. Use the following methods to determine the amount of common household bleach needed to sanitize the tank:
 - A. Multiply "gallons of tank capacity" by 0.13; the result is the ounces of bleach needed to sanitize the tank (30 gallons X .13 = 3.9 oz bleach).
 - B. Use the number of liters of tank capacity to determine the number of milliliters of bleach needed to sanitize the tank (120 liters of tank capacity = 120 milliliters of bleach).
2. Mix into solution the proper amount of bleach within a container of water
3. Pour the solution (water/bleach) into the tank and fill the tank with potable water.
4. Open all faucets (hot and cold) allowing the water to run until the distinct odor of chlorine is detected.
5. The standard solution must have four (4) hours of contact time to disinfect completely. Doubling the solution concentration allows for contact time of one (1) hour.
6. When the contact time is completed, drain the tank. Refill with potable water and purge the plumbing of all sanitizing solution.

TROUBLESHOOTING

WARNING: BEFORE SERVICING PUMP, TURN OFF PUMP AND DRAIN WATER FROM SYSTEM!!

PROBLEM	SOLUTION
Pulsation Flow - Pump cycles on and off	Restricted pump delivery. Check discharge lines, fittings and valves for undersizing or clogging. Clean screens in faucets. Some filters or purifiers are highly restrictive. Filters/purifiers with high pressure drop may require a separate line and/or the installation of an accumulator tank in the system.
Failure to Prime - Motor operates, but no pump discharge	Restricted intake or discharge line Air leak in intake line Punctured pump diaphragm Debris under flapper valves Crack in pump housing
Pump fails to turn off after all fixtures are closed	Empty water tank Punctured pump diaphragm Discharge line leak Defective pressure switch Insufficient voltage to pump Debris under flapper valves
Low flow and pressure	Air leak at pump intake Accumulation of debris inside pump and plumbing Worn pump bearing (excessive noise) Punctured pump diaphragm Defective motor
Motor fails to turn on	Loose wiring connection Pump circuit has no power Blown fuse/thermal protector tripped Pressure switch failure Defective motor

Jabsco

www.jabsco.com



ITT Industries
Engineered for life

THE PRODUCTS DESCRIBED HEREIN ARE SUBJECT TO THE JABSCO THREE-YEAR LIMITED WARRANTY, WHICH IS AVAILABLE FOR YOUR INSPECTION UPON REQUEST.

U.S.A Jabsco Cape Ann Industrial Park Gloucester, MA 01930 Tel: +1 978 281 0440 Fax: +1 978 283 2619	UK Jabsco Bingley Road, Hoddesdon Hertfordshire EN11 0BU Tel: +44 (0) 1992 450145 Fax: +44 (0) 1992 467132	CANADA Fluid Products Canada 55 Royal Road Guelph, Ontario N1H 1T1 Tel: 519 821 1900 Fax: 519 821 2569	JAPAN NHK Jabsco Company Ltd. 3-21-10, Shin-Yokohama Kohoku-Ku, Yokohama, 222 Tel: +45 475 8906 Fax: +45 475 8908	GERMANY Jabsco GmbH Oststrasse 28 22840 Norderstedt Tel: +49 (40) 53 53 730 Fax: +49 (40) 53 53 7311	ITALY Jabsco Marine Italia Via Tommaseo, 6 20059 Vimercate, Milano Tel: +39 039 685 2323 Fax: +39 039 666 307
---	---	---	--	---	--



WATER SYSTEM PUMPS

- **31595-SERIES**
- **31600-SERIES**
- **31620-SERIES**
- **31630-SERIES**

PAR-MAX 2+ – 2.8 GPM (10.6 LPM)
PAR-MAX 3 – 3.5 GPM (13.2 LPM)
PAR-MAX 4 – 4.3 GPM (16.3 LPM)

FEATURES

- Self-Priming to 10 ft. (3 m)
- Runs Dry Without Damage
- Smooth Flow
- Four Piston, Diaphragm Pump
- Powerful Motor with Thermal Overload Protection
- Snap-in Ports
- Waterproof Coating (31630-Series)
- Pressure Switch with Rubber Boot
- Meets USCG Regulation 183.410 and EN ISO 8846 MARINE (Ignition Protection)
- Meets EN 50081-1 Electro-magnetic Compatibility



Models 31595, 31600, 31620, 31630-Series

APPLICATIONS

The PAR-MAX Automatic Water System Pump is designed for self-contained boats and RV's with multiple fixture water systems. The system operates automatically. When a fixture is opened, the pump instantly begins operation to provide a smooth constant flow from tank to faucet. Closing the faucet automatically discontinues pump operation.

The Deluxe model 31630-Series has a corrosion resistant coated motor for extra protection in harsh environment applications.

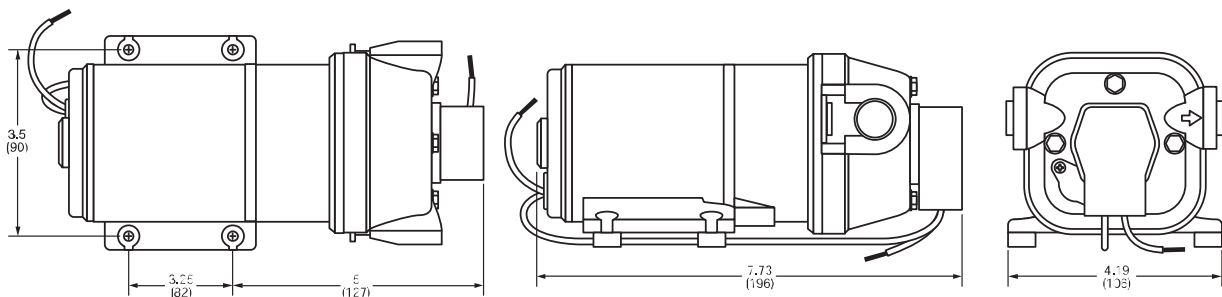
SPECIFICATIONS

- Pump Body – Glass Filled Polypropylene
- Pump Design – Multi-Chamber Diaphragm
- Suction Lift – Self Priming to 10 ft. (3 m)
- Ports – 1/2" (13 mm) Hose & 1/2" (13 mm) Threaded (QEST Type)
- Motor – Permanent Magnet
- Shipping Weight – 3.9 lb (1.8 kg) 31595-Series
4.5 lb (2.1 kg) 31600-Series
6.0 lb (2.8 kg) 31620-Series
31630-Series

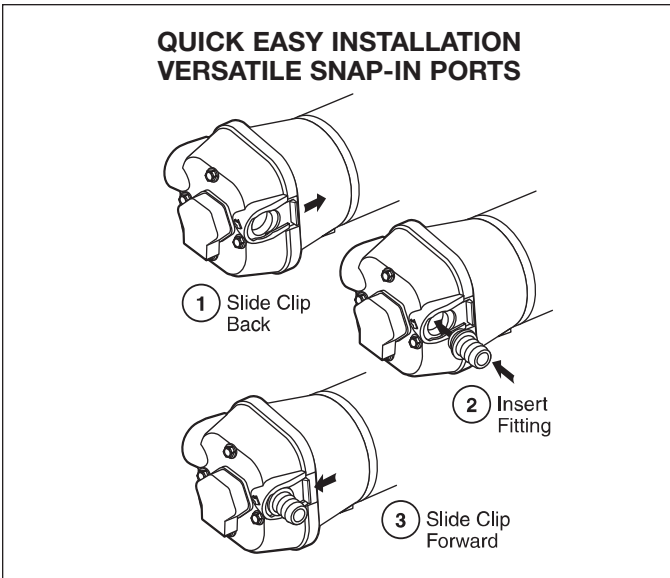
MODEL	GPM/LPM	VOLTS	NOMINAL psi (bar)		AMP DRAW @ 10 psi	FUSE/BREAKER*
			CUT-IN	CUT-OUT		
31595-0092	2.8/10.6	12 Vdc	20 (1.4)	40 (2.8)	4	10
31595-0094	2.8/10.6	24 Vdc	20 (1.4)	40 (2.8)	2	7
31595-0292	2.8/10.6	12 Vdc	10 (0.7)	25 (1.8)	4	10
31595-0294	2.8/10.6	24 Vdc	10 (0.7)	25 (1.8)	2	7
31600-0092	3.5/13.2	12 Vdc	20 (1.4)	40 (2.8)	5	10
31600-0094	3.5/13.2	24 Vdc	20 (1.4)	40 (2.8)	3	7
31600-0292	3.5/13.2	12 Vdc	10 (0.7)	25 (1.8)	5	10
31600-0294	3.5/13.2	24 Vdc	10 (0.7)	25 (1.8)	3	7
31620-0092	4.3/16.3	12 Vdc	20 (1.4)	40 (2.8)	6	10
31620-0094	4.3/16.3	24 Vdc	20 (1.4)	40 (2.8)	3	7
31620-0292	4.3/16.3	12 Vdc	10 (0.7)	25 (1.8)	6	10
31620-0294	4.3/16.3	24 Vdc	10 (0.7)	25 (1.8)	3	7
31630-0092	4.3/16.3	12 Vdc	20 (1.4)	40 (2.8)	6	15

* Customer supplied, not included with pump.

DIMENSIONAL DRAWINGS — INCHES (MILLIMETRES)



INSTALLATION



MOUNTING

The PAR-MAX pumps are self-priming and may be located above or below the fresh water tank in a dry location. To vertically mount these units, it is best to do so with the motor on top. This will prevent water dripping on motor in the event of a leak. **Place pump on a solid surface and secure with four mounting screws (not included) being careful not to compress the rubber grommets which act as shock absorbers.**

PLUMBING

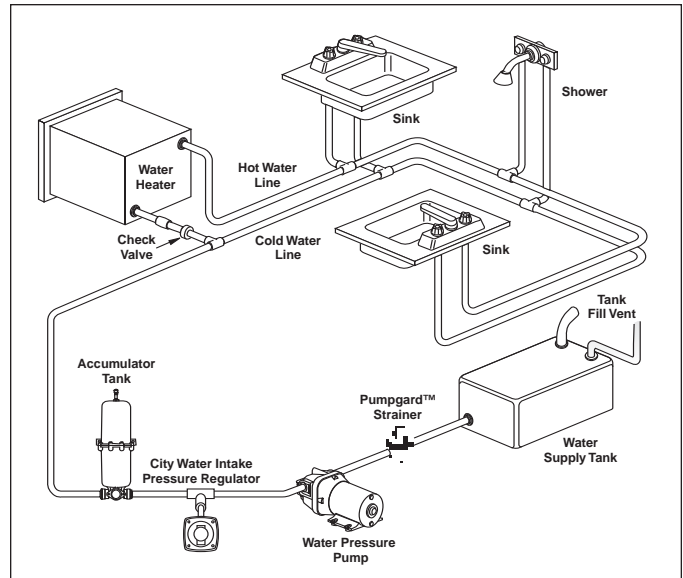
Select two of the port adaptors supplied to match your plumbing system. **Flexible potable water hose or PEX tubing is recommended instead of rigid piping at pump.** If you choose to use rigid piping, provide a short length of hose between pipe and the pump to avoid noise and vibration. Use clamps at both ends of hose to prevent air leaks into the water line. NOTE: Intake hose must be minimum 1/2" (13 mm) ID reinforced hose. Main distribution line from pump outlet should also be 1/2" (13 mm) ID with branch and individual supply lines to outlets no smaller than 3/8" (10 mm). A Jabsco "Pumpgard" in line strainer should be installed between pump and tank to keep debris out of pump and system. Fresh water tank must be vented. Avoid any kinks or fittings which could cause excessive restrictions. Remember to periodically clean faucet and "Pumpgard" screens.

WARNING! **Explosion hazard. Do not pump gasoline, solvents, thinners or other flammable liquids. To do so can cause an explosion resulting in injury or death.**

WIRING

In an easily accessible location, install a switch (Jabsco 44960-Series) to control electricity to the pump. Turn the pump off when not used for extended periods or when the tank is empty.

The electrical circuit should be protected with an over-current protection device in the positive lead. See chart for proper size. The pump circuit should not include any other electrical loads. The free lead at the pressure



switch is positive. Black wire from the motor is negative.

Select wire size from chart below. Use total length of wire from the battery to pump and return. Chart allows for 3% voltage drop. If in doubt, use next larger wire size.

Total length in feet	0-20 (0-6 m)	20-35 (6-11 m)	35-55 (11-17 m)
12 Volt	#14 AWG (2.5 mm ²)	#12 AWG (4 mm ²)	#10 AWG (6 mm ²)
24 Volt	#16 AWG (1.5 mm ²)	#14 AWG (2.5 mm ²)	#12 AWG (4 mm ²)

WARNING **Fire hazard. Wiring must comply with applicable electrical standards and include a properly sized fuse or circuit breaker. Improper wiring can cause a fire resulting in injury or death.**

If you are not familiar with applicable electrical standards, have the unit installed by a qualified electrician.

After installation, check the voltage at the pump motor. Voltage should be checked when pump is operating. Full voltage must be available at the pump motor at all times.

OPERATION

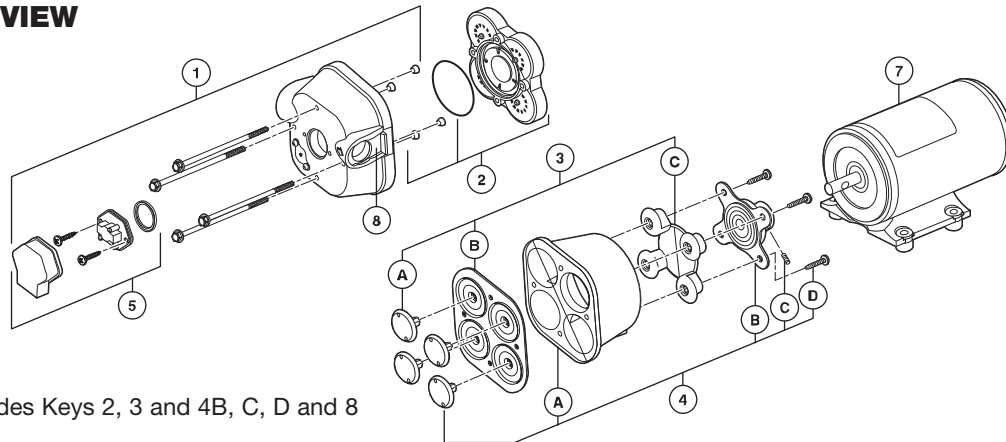
1. Check level of water in tank.
2. Open all faucets hot and cold.
3. Switch on power to pump and wait for hot water tank and water lines to fill.
4. Close each faucet as flow becomes steady and free of air (close cold water faucet first). Pump should shut off soon after closing last faucet.
5. Pump is now ready for automatic operations. It will start when faucet is opened and stop when faucet is closed.
6. If pump will be inoperative for a considerable length of time, turn off circuit to pump and bleed system by opening faucet.

CAUTION **Motor case will get hot. Prolonged contact during operation may cause a burn.**



WARNING: DISCONNECT POWER TO PUMP AND OPEN VALVE TO RELIEVE WATER PRESSURE PRIOR TO SERVICING PUMP

EXPLODED VIEW



* Service kit includes Keys 2, 3 and 4B, C, D and 8

KEY	DESCRIPTION	QTY	31595-SERIES	31600-SERIES	31620-SERIES	31630-SERIES	
1	Upper Housing	XXXXX-0092	1	18910-4040	18910-4040	18910-4040	18910-4040
		XXXXX-0094	1	18910-4040	18910-4040	18910-4040	18910-4040
		XXXXX-0292	1	18910-4025	18910-4025	18910-4025	18910-4025
		XXXXX-0294	1	18910-4025	18910-4025	18910-4025	18910-4025
		XXXXX-0294	1	18910-4025	18910-4025	18910-4025	18910-4025
2	Valve Kit	1	18911-7030	18911-7030	18911-7030	18911-7030	
3	Diaphragm Kit	1	18912-3040	18912-3040	18912-3040	18912-3040	
4	Lower Housing Kit	1	18915-9000	18915-9002	18915-9002	18915-9002	
5	Pressure Switch	XXXXX-0092	1	18916-0040	18916-0040	18916-0040	18916-0040
		XXXXX-0094	1	18916-0040	18916-0040	18916-0040	18916-0040
		XXXXX-0292	1	18916-0025	18916-0025	18916-0025	18916-0025
		XXXXX-0294	1	18916-0025	18916-0025	18916-0025	18916-0025
		XXXXX-0294	1	18916-0025	18916-0025	18916-0025	18916-0025
*6	Service Kit	1	18920-9042	18920-9043	18920-9043	18920-9043	
7	Motor Kit – 12V EMC COMP	18919-0134	1	18919-0134	18919-0132	18919-0133	
		24V EMC COMP	1	18919-1055	18919-1052	18919-1053	N/A
8	Slide Clips	1	30648-1000	30648-1000	30648-1000	30648-1000	
9	Pumphead Assy.	XXXXX-0092	1	18914-6240	18914-6340	18914-6340	18914-6340
		XXXXX-0094	1	18914-6240	18914-6340	18914-6340	18914-6340
		XXXXX-0292	1	18914-6225	18914-6325	18914-6325	18914-6325
		XXXXX-0294	1	18914-6225	18914-6325	18914-6325	18914-6325
		XXXXX-0294	1	18914-6225	18914-6325	18914-6325	18914-6325

DISASSEMBLE

Pressure Switch (5)

1. Disconnect power to pump and open a faucet or valve to relieve system pressure.
2. Remove Rubber Boot, then remove the two visible Pressure Switch Screws located on each side of the Pressure Switch (5).

Upper Housing (1)

3. Slide Port Clip (8) back and unplug from Tank Plumbing.
4. Loosen but DO NOT remove the four Pump Head Screws and carefully remove Upper Housing Assembly (1).
5. Remove Check Valve (2) and inspect for debris.

Check Valve Assembly (2) Follow Steps 1, 3 & 4

6. Inspect Check Valve (2) and O-Ring

Lower Housing (4) Follow Step 1, 3 & 4

7. Remove Rubber Plugs on housing (4-A) to access Allen Screw.
8. Rotate Lower Housing (4), so access notch is aligned with Cam Bearing Set Screw (4-C), loosen set screw with a 1/8" Allen Wrench and slide pump head off motor shaft.

Diaphragm (3-B)

9. Loosen four cam piston screws with Phillips head screw driver and pull apart cam (4-B) from Inner Pistons (3-A). (Both pistons (3-A & C) should be replaced when a new Diaphragm (3-B) is installed.)

Motor (7) Follow steps 1, 3, 4, 7, & 8

REASSEMBLE

Diaphragm (3-B)

1. Insert Outer Pistons (3-C) into Lower Housing (4-A) by bending pistons at center fold.
2. Placing the Diaphragm (3-B) (flatter side of Diaphragm facing the motor) on the Lower housing (4-A). Press each Inner Piston (3-A) through the Diaphragm and Lower Housing (4A) into Outer Piston (3-C). Hex stem of Inner Pistons (3-A) must be aligned into hex holes in Outer Pistons (3-C). Tighten cam piston screws partially, center piston in diaphragm, and tighten screws securely (18 in. lbs. torque). Also, the Outer Pistons (3-C) must be aligned with alignment slots on Cam Assembly (4-B) making sure screw holes align in cam assembly, otherwise diaphragm will leak.

Cam Bearing (4-B)

3. Place Cam Bearing (4-B) over Inner Pistons (3-C) and tighten down with four Phillips Head Screws. (18 in. lbs. torque)

Lower Housing (4) to Motor (7)

- Coat motor shaft with grease prior to installing Cam Bearing (4-B).
4. When installing the Lower Housing (4), rotate access notch to align with Cam Bearing Set Screw (4-C).
5. Attach Cam Bearing (4-B) to motor shaft indentation with Cam Bearing Set Screw (4-C). (35 in. lbs. torque)
6. Reinsert new Notch Plugs.

Check Valve (2)

7. Place Ferrules (Rubber Cones) in the Upper Housing (1) coned side first.
8. Properly seat O-Ring in Check Valve (2) and insert Check Valve (2) into the Upper Housing (1).

Upper Housing (1)

9. Place Upper Housing (1) on top of the Lower Housing (4-A) and tighten Hex Bolts (30 in. lbs. torque) through the Upper Housing (1) to the Motor.

TROUBLESHOOTING

PULSATING FLOW – PUMP CYCLES ON AND OFF

- Restricted pump delivery. Check discharge lines, fittings and valves for undersizing or clogging. Clean screens in faucets. Some filters or purifiers are highly restrictive. Filters/purifiers with high pressure drop may require a separate line and the installation of an accumulator tank in the system.

FAILURE TO PRIME – MOTOR OPERATES, BUT NO PUMP DISCHARGE

- Restricted intake or discharge line.
- Air leak in intake in line.
- Punctured pump diaphragm (water leak).
- Debris under flapper valves.
- Crack in pump housing.

MOTOR FAILS TO TURN ON

- Loose wiring connection.
- Pump circuit has no power.
- Blown fuse/Thermal Protector tripped (wait 30 min.).
- Pressure switch failed.
- Defective motor.

⚠ CAUTION PAR-MAX pumps have thermal overload protected motors. The motor will automatically shut off as temperature rises due to an overload condition. If the motor shuts off in this manner, close all nozzles, faucets or valves. After a cooling off period, the pump will automatically re-start.

WINTERIZING YOUR WATER SYSTEM

To winterize, it is not necessary to drain the water from the entire water system. Blowing into the lines to remove the water from your water system is not satisfactory due to the check valve mechanism built into the pump.

Follow these steps to remove all water from your water system:

1. Drain water by opening tank drain, or open a fixture to allow pump to operate until tank is dry.

⚠ DANGER DO NOT USE AUTOMOTIVE TYPE ANTI-FREEZE. IT IS POISONOUS. USE OF THIS TYPE ANTI-FREEZE WILL CAUSE SERIOUS INTERNAL INJURY OR DEATH.

PUMP FAILS TO TURN OFF AFTER ALL FIXTURES ARE CLOSED

- Empty water tank.
- Punctured pump diaphragm (water leak).
- Discharge line leak.
- Defective pressure switch.
- Insufficient voltage to pump.
- Debris under flapper valves.

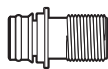
LOW FLOW AND PRESSURE

- Air leak at pump intake.
- Accumulation of debris inside pump and plumbing.
- Worn pump bearing (excessive noise).
- Punctured pump diaphragm (water leak).
- Defective motor.

2. Open the lowest outlet in water system to drain lines.
3. To remove any remaining water (about a cup), remove outlet hose on pump and activate pump. To blow out lines, attach air nozzle where outlet hose was removed. Make sure all fixtures are open before starting.
4. Your water system is now winterized. Don't forget to reattach the outlet hose to pump and close all fixtures.

ACCESSORIES

SNAP-IN PORT SYSTEM



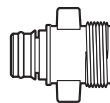
30649-1000
30649-1001
SNAP-IN PORT x
1/2" MALE QEST.
STRAIGHT



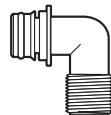
30654-1000
30654-1001
SNAP-IN PORT x
1/2" HOSE BARB
STRAIGHT



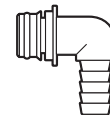
30653-1000
30653-1001
SNAP-IN PORT x
3/4" HOSE BARB
STRAIGHT



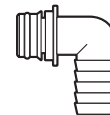
30650-1000
30650-1001
SNAP-IN PORT x
GARDEN HOSE
STRAIGHT



30655-1000
30655-1001
SNAP-IN PORT x
1/2" MALE QEST.
90° ELBOW



30651-1000
30651-1001
SNAP-IN PORT x
1/2" HOSE BARB
90° ELBOW



30642-1000
30642-1001
SNAP-IN PORT x
3/4" HOSE BARB
90° ELBOW

Jabsco



ITT Industries
Engineered for life

THE PRODUCTS DESCRIBED HEREIN ARE SUBJECT TO THE JABSCO ONE YEAR LIMITED WARRANTY, WHICH IS AVAILABLE FOR YOUR INSPECTION UPON REQUEST.

U.S.A.
Jabsco
20 Icon
Foothill Ranch, CA 92610-3000
Tel: 949.609.5106
Fax: 949.859.1254

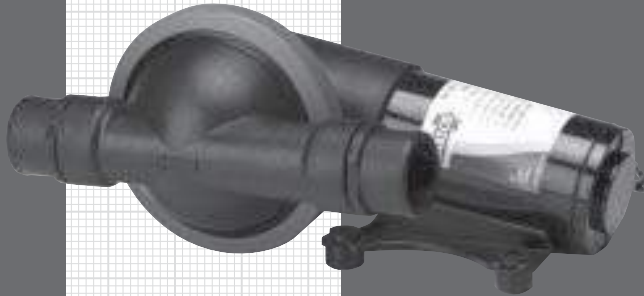
UNITED KINGDOM
Jabsco
Bingley Road, Hoddesdon
Hertfordshire EN11 OBU
Tel: +44 (0) 1992 450145
Fax: +44 (0) 1992 467132

CANADA
Fluid Products Canada
55 Royal Road
Guelph, Ontario N1H 1T1
Tel: (519) 821.1900
Fax: (519) 821.2569

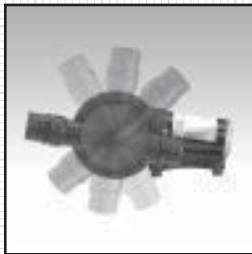
JAPAN
NHK Jabsco Company Ltd.
3-21-10, Shin-Yokohama
Kohoku-Ku, Yokohama, 222
Tel: 045.475.8906
Fax: 045.475.8908

GERMANY
Jabsco GmbH
Oststrasse 28
22840 Norderstedt
Tel: +49-40-53 53 73 -0
Fax: +49-40-53 53 73 -11

JABSCO®



50890



- GB** Waste Pump
- FR** Pompe d'eaux usées
- DE** Fäkalienpumpe
- IT** Pompa di scarico
- NL** Afvoerpomp
- SE** Tömningspump
- ES** Bomba para desechos

CE

Jabsco



ITT Industries
Engineered for life

Waste Pump

Robust Single Diaphragm Design



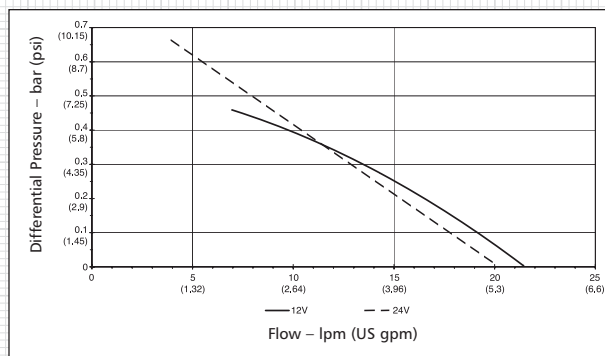
Features

- Flexible installation
- No filter required
- Compact and simple design
- Self-priming to 3m (10ft)
- 12v and 24v variants
- Dry running capability
- Connections for 38mm (1½") ports
- Up to 19 lpm (5 US gpm) flow

Specifications

- Suction Lift: 3 meters (10ft)
- Relevant Standards:
 - ISO 8846 MARINE and USCG Regulations for Ignition Protection
 - ISO 8849 MARINE Bilge Pump Standard
- Built to ISO 15083 Specification
- Meets BSEN 50081 (Electro Magnetic Compatibility)

Performance Curve



Installation

- The Jabsco Waste Pump is self priming up to 3m (10ft).
- Uses multi positional ports for easy mounting of the pump.
- If mounted vertically the motor should be above the pump head.
- Use rubber grommets provided to absorb vibration.
- Plumbing Connections: Use 38mm (1½") ID, non-collapsible waste type suction hose.
- Connect the hose to inlet and outlet of pump using two stainless steel hose clamps at both ends.
- All suction connections must be airtight and free of sharp bends or restrictions.



WARNING: The Discharge thru-hull may be positioned below the waterline only if the discharge hose has a vented loop at least 20cm (8") above the waterline at all angles of heel or trim.



WARNING: Do not use any Jabsco pump for petrol, petroleum products or any products with a flash point below 37°C (98°F), explosion or death may occur.

Operation

The dc motor is suitable for intermittent duty and should not be run for more than 30 minutes continuously.



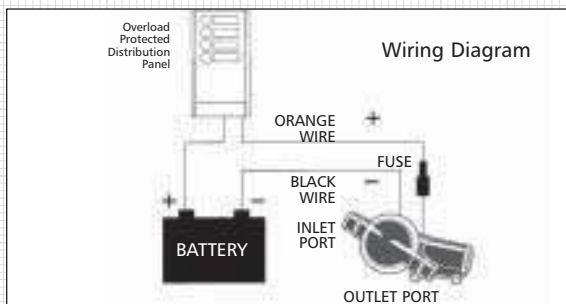
WARNING: Always disconnect pump from power supply.

Check all electrical connections periodically, particularly in salt water areas. Corrosion can cause loss of performance or non-operation in extreme cases. The motor should be protected with a corrosion inhibiting spray and any rust should be removed and the motor repainted.

GB

Wiring Instructions

- Make all electrical connections in dry locations; connections in humid environments should be sealed to prevent corrosion.
- Protect the circuit with a rated fuse or circuit breaker in the red positive (+) lead as close as possible to the power source.
- Connect the black motor wire to the negative (-) battery terminal.
- Inadequate voltage at the motor terminals when the pump is running (not less than 10% below rated voltage at full load) due to partially discharged batteries or insufficient cable size may result in blowing fuses, failure to start or poor pump performance.



Model No	Voltage	Max Current	Max Fuse Size	Wiring size*		
				AWG	mm ²	Max. Length
50890-1000	12V	8A	10A	14	2.5	4.5m (15ft)
				14	2.5	9.0m (30ft)
50890-1100	24V	2.5A	5A	14	2.5	4.5m (15ft)
				14	2.5	9.0m (30ft)

*for longer installations, fit thicker cables



WARNING: If the fuse fails repeatedly do not fit a heavier fuse or bridge the fuse terminals with silver paper or metal wire. Failure to observe this instruction may result in a fire hazard due to overheating of cables.

Ensure sterilization of wet end before disassembly.

Rotation of Pump Head

(See diagrams on inside back cover)

1. Push down on clip and remove end cover
2. Internal bolt heads now exposed
3. Undo all four mounting bolts
4. Remove bolts and grasp motor unit firmly
5. Rotate pump head to desired position
6. Example of pumps rotational capabilities
7. Replace all 4 internal bolts and secure tightly
8. Replace end cover

Rotation of Ports

(See diagrams on inside back cover)

1. Undo clamp using allen key
2. Remove clamp
3. Rotate port unit to desired location
4. Example of pumps rotational capabilities
5. Replace clamp and tighten until firmly secure

Pompe d'eaux usées

Modèle résistant à diaphragme unique

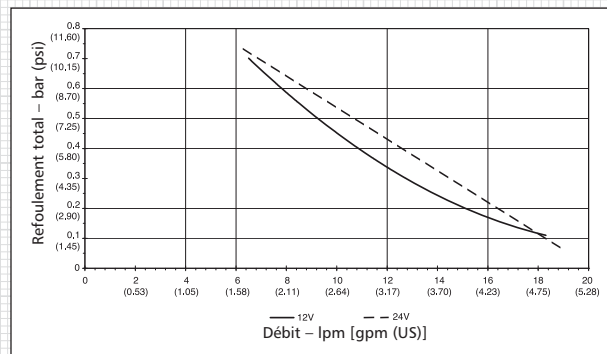
Caractéristiques

- Flexibilité d'installation
- Ne nécessite pas l'emploi de filtre
- Modèle compact et simple
- Auto-amorçante jusqu'à 3 mètres
- Disponibles à 12 v et 24 v
- Capacité de fonctionnement à vide
- Raccords pour tuyaux de 38 mm
- Débit maximum de 19 l/minute

Spécifications

- Hauteur d'aspiration : 3 mètres
- Normes applicables :
 - ISO 8846 MARINE et réglementation de l'USCG (antidéflagrante)
 - ISO 8849 MARINE - Normes pour les pompes de cale
- Spécification de la fabrication conforme à l'ISO 15083
- Conformité BSEN 50081 (compatibilité électromagnétique)

Courbe de performances



Installation

- La pompe d'eaux usées Jabsco s'amorce automatiquement jusqu'à 3 mètres.
- Les orifices à positions variables facilitent le montage de la pompe.
- Si la pompe est montée verticalement, le moteur doit se trouver au-dessus de la tête de pompe.
- Utiliser les silent-blocs pour absorber les vibrations.
- Raccordement : utiliser un tuyau armé pour eaux usées, de 38 mm Ø int.
- Raccorder le tuyau à l'entrée et à la sortie de la pompe en installant deux colliers en acier inoxydable sur les deux raccords.
- Tous les raccords d'aspiration doivent être étanches et ne présenter aucun coude ou obstruction.



AVERTISSEMENT : ne pas placer le passe coque de sortie au-dessous de la ligne de flottaison (sauf si le tuyau de refoulement est équipé d'un col de cygne avec Air Vent qui culmine à 20 cm minimum au-dessus de la ligne de flottaison).



AVERTISSEMENT : on ne doit pas utiliser une pompe Jabsco avec de l'essence, des produits pétroliers ou tout produit ayant un point d'éclair inférieur à 37°C, faute de quoi on s'expose à des risques d'explosion ou d'accident mortel.

Utilisation

Le moteur c.c. est étudié pour des applications intermittentes : on ne doit pas l'utiliser en continu pendant des période de plus de 30 minutes.



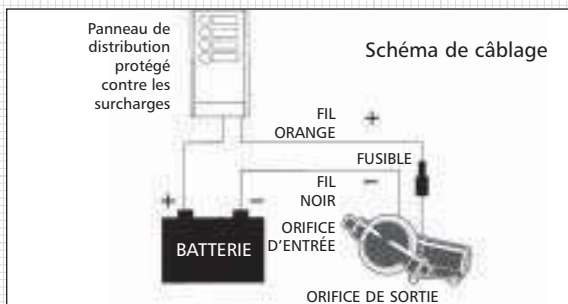
AVERTISSEMENT : on doit toujours couper l'alimentation électrique de la pompe.

Vérifier périodiquement tous les raccordements électriques, en particulier en milieux salins. Dans des cas extrêmes, la corrosion risque d'affecter le rendement ou la mise hors service. Il est nécessaire de protéger le moteur avec un inhibiteur de corrosion et d'enlever les moindres traces de rouille avant de repindre le moteur.

FR

Instructions pour le câblage

- Effectuer tous les raccordements électriques dans un lieu sec ; les raccordements effectués dans un environnement humide doivent être scellés afin d'empêcher la corrosion.
- Protéger le circuit en plaçant un fusible à courant nominal approprié ou un coupe-circuit dans le fil positif (+) le plus près possible de la source d'alimentation.
- Raccorder le fil noir du moteur sur le pôle négatif (-) de la batterie.
- La présence d'une tension insuffisante aux bornes du moteur, lorsque la pompe est en marche (avec une tension non inférieure à 10% de la tension nominale à pleine charge), produit par l'épuisement partiel des batteries ou de la taille insuffisante du câble, risque de faire sauter les fusibles, d'empêcher le démarrage ou d'entraîner le mauvais fonctionnement de la pompe.



Model No	Tension	Puissance consommée maxi	Taille maxi du fusible	Taille des conducteurs*		
				AWG	mm ²	Longueur maxi
50890-1000	12V	8A	10A	14	2.5	4.5m (15ft)
				14	2.5	9.0m (30ft)
50890-1100	24V	2.5A	5A	14	2.5	4.5m (15ft)
				14	2.5	9.0m (30ft)

Pour des installations plus longues, utiliser des câbles de section plus important



AVERTISSEMENT : si le fusible saute à plusieurs reprises, on ne doit pas installer un fusible à courant supérieur ni monter en pont les bornes de fusible avec du papier métallique ou un fil métallique. L'inobservation de cette instruction comporte un risque d'incendie à cause de la surchauffe des câbles.

Vérifier la stérilisation de la partie humide avant le démontage.

Rotation de la tête de la pompe

(cf. schémas sur l'intérieur du revers)

1. Appuyer sur la pince et enlever le couvercle
2. Les têtes de boulon internes sont maintenant exposées
3. Défaire les quatre boulons de montage
4. Enlever les boulons et tenir fermement l'ensemble du moteur
5. Tourner la tête de la pompe sur la position désirée
6. Exemple de capacités rotatives des pompes
7. Remonter les 4 boulons internes, en les serrant à fond
8. Remonter le couvercle

Rotation des orifices

(cf. schémas sur l'intérieur du revers)

1. Défaire la fixation avec la clé mâle
2. Enlever la fixation
3. Tourner l'orifice de la pompe sur la position désirée
4. Exemple de capacités rotatives des pompes
5. Remonter la fixation puis serrer à fond

Fäkalien- pumpe

**Robustes
Design mit
Einfachmembran**

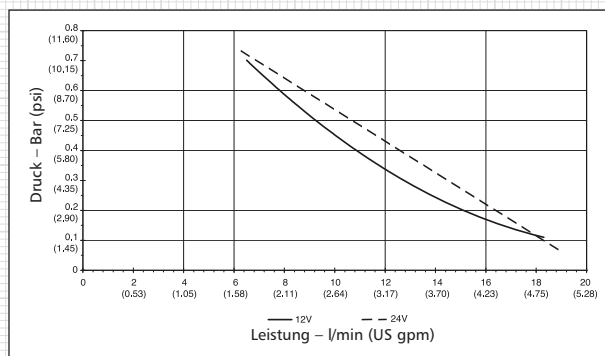
Hauptmerkmale

- Flexible Installation
- Kein Filter erforderlich
- Kompakte und einfache Konstruktion
- Trocken Selbstansaugend bis zu 3m
- Erhältlich für 12 Volt und 24 Volt
- Trockenlaufsicher
- Anschlüsse 38mm
- Leistung bis zu 19 l/min

Spezifikation

- Saughöhe: 3 Meter
- Normen:
 - ISO 8846 MARINE und USCG Regulations for Ignition Protection
 - ISO 8849 MARINE Bilge Pump Standard
- Konstruktion entsprechend ISO 15083 Spezifikation
- Entspricht BSEN 50081 (EMV)

Leistungskurve



Einbauder Pumpe

- Die Fäkalienpumpe von Jabsco ist bis zu 3 Metern trocken selbstansaugend.
- Leichtere Installation der Pumpe durch verstellbare Anschlüsse.
- Wenn die Pumpe vertikal montiert wird, muss sich der Motor über dem Pumpenkopf befinden.
- Zur Schwingungsdämpfung die mitgelieferten GummifüÙe verwenden.
- Spiralverstärkten, für Fäkalien geeigneten festen Saugschlauch mit einem Innendurchmesser von 38mm verwenden.
- Den Schlauch am Pumpeneinlass und -auslass befestigen und jeweils mit zwei Edelstahl-Schlauchklammern an beiden Enden sichern.
- Alle Sauganschlüsse müssen luftdicht sein und dürfen keine Knicke oder Blockierungen aufweisen.



ACHTUNG: Das Abpumpen durch den Rumpf darf nur dann unterhalb der Wasserlinie erfolgen, wenn der Schlauch über ein belüftbares Schwannenhalsventil verfügt, das bei jedem Krängungs- oder Trimmwinkel mindestens 20 cm über der Wasserlinie liegt.



ACHTUNG: Jabsco-Pumpen nicht für Benzin, Erdölprodukte oder andere Produkte mit einem Flammpunkt unter 37°C benutzen, da sonst Explosions- oder Lebensgefahr besteht.

Betrieb

Der Gleichstrommotor ist für den Kurzzeitbetrieb geeignet und sollte nicht länger als 30 Minuten im Dauerbetrieb laufen.



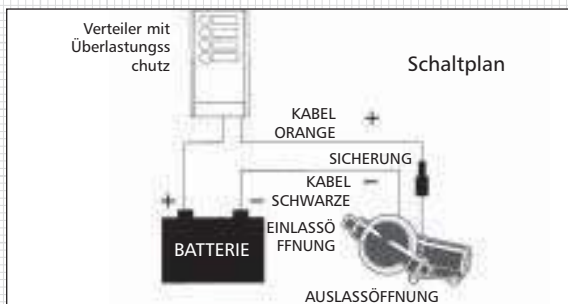
ACHTUNG: Immer die Pumpe vom Stromnetz trennen!

Alle elektrischen Anschlüsse in regelmäßigen Abständen überprüfen, dies gilt vor allem in Salzwasserbereichen. Korrosion kann zu Leistungsverlust oder in extremen Fällen zu einem Ausfall der Pumpe führen. Der Motor sollte mit einem korrosionshemmenden Spray geschützt werden; rostige Stellen müssen entfernt und der Motor neu gestrichen werden.

DE

Verdrahtungsanleitungen

- Alle elektrischen Anschlüsse müssen in einer trockenen Umgebung vorgenommen werden; Anschlüsse in nassen Umgebungen müssen abgedichtet werden, um Korrosion zu verhindern.
- Die Schaltung muss mit einer ausreichend dimensionierten Sicherung oder einem Überlastschalter in der roten positiven (+) Leitung so nahe wie möglich an der Stromquelle geschützt werden.
- Das schwarze Kabel an den negativen (-) Batteriepol anschließen.
- Eine unzureichende Spannung an den Motorklemmen bei laufender Pumpe (nicht weniger als 10% unter Nennspannung bei voller Belastung) aufgrund teilweise entladener Batterien oder einer unzureichenden Kabelgröße kann zu einem Durchbrennen der Sicherungen, zu Anlaufproblemen oder zu mangelnder Pumpleistung führen.



Modell Nr.	Spannung	Max Amp Stromentnahme	Max Sicherungsgröße	Kabelquerschnitt*		
				AWG	mm ²	Max. Länge
50890-1000	12V	8A	10A	14	2.5	4.5m (15ft)
				14	2.5	9.0m (30ft)
50890-1100	24V	2.5A	5A	14	2.5	4.5m (15ft)
				14	2.5	9.0m (30ft)

* Bei längeren Installationen dickere Kabel benutzen



ACHTUNG: Wenn die Sicherung immer wieder durchschlägt, keine stärkere Sicherung montieren oder die Sicherungsklemmen mit Silberpapier oder Metaldraht überbrücken. Ein Missachten dieser Anweisung kann zu Brandgefahr aufgrund überhitzter Kabel führen.

Sicherstellen, dass die produktberührten Teile vor dem Auseinanderbau sterilisiert werden.

Drehung des Pumpenkopfs

(Siehe Abbildungen hinten auf der Innenklappe)

1. Die Klammer herunterdrücken und die Endabdeckung abnehmen
2. Die inneren Schraubenköpfe sind jetzt zugänglich
3. Alle vier Befestigungsschrauben lösen
4. Die Schrauben entfernen und die Motoreinheit fest in den Griff nehmen
5. Den Pumpenkopf in die gewünschte Position drehen
6. Beispiel für die Drehkapazität der Pumpe
7. Alle 4 Schrauben wieder anbringen und fest anziehen
8. Die Endabdeckung wieder anbringen

Drehung der Öffnungen

(Siehe Abbildungen hinten auf der Innenklappe)

1. Die Klammer mit einem Innensechskantschlüssel lösen
2. Die Klammer entfernen
3. Die Anschlüsse in die gewünschte Position drehen
4. Beispiel für Drehkapazität der Pumpe
5. Klammer wieder anbringen und fest anziehen

Afvoerpomp

Robuust Eénmembraan Ontwerp

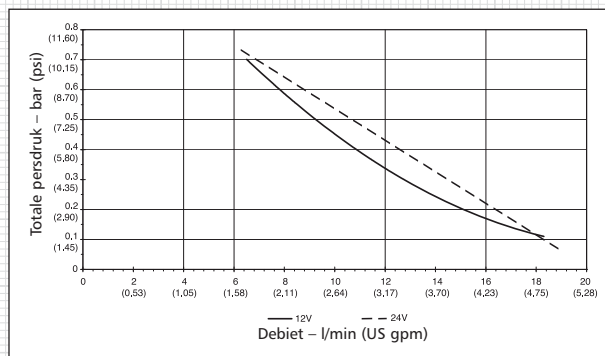
Kenmerken

- Flexibele installatie
- Geen filter vereist
- Compacte en eenvoudige vormgeving
- Zelfaanzuigend tot 3m
- 12V en 24V modellen
- Droogloopvermogen
- Aansluitingen voor 38mm poorten
- Debiet maximaal 19 l/min

Specificaties

- Anzuighoogte: 3 meter
- Van toepassing zijnde normen:
 - ISO 8846 MARINE en USCG voorschriften voor explosieveiligheid
 - ISO 8849 MARINE Lenspompnorm
- Gebouwd conform ISO 15083 Specificatie
- Voldoet aan BSEN 50081 (electromagnetische compatibiliteit)

Prestatiekromme



Installatie

- De Jabsco afvoerpomp is zelfaanzuigend tot 3m.
- Gebruik van de meerstandenpoorten vereenvoudigt de montage van de pomp.
- Bij verticale montage moet motor boven pompkop staan.
- Gebruik meegeleverde rubber ringen voor het absorberen van trilling.
- Pijpaansluitingen: Gebruik 38mm ID voor afvalwater geschikte niet-inknijpbare zuigslang.
- Slang m.b.v. een RVS slangklemmen op elke in-en uitlaat van pomp aansluiten.
- Alle zuigaansluitingen moeten luchtdicht en vrij van scherpe bochten of vernauwingen zijn.



WAARSCHUWING: De door de huid lopende uitlaat mag alleen onder de waterlijn aangebracht worden mits de uitlaatslang, onder alle ligging- of helling-hoeken, te allen tijde een bocht met ontluchting tenminste 20cm boven de waterlijn heeft.



WAARSCHUWING: Nooit een Jabsco pomp gebruiken voor benzine, aardolieproducten of enig product met een vlampunt onder 37°C daar dit explosie met de dood tot gevolg kan hebben.

Bedrijf

De gelijkstroommotor is bedoeld voor onderbroken gebruik en mag nooit langer dan 30 minuten continu draaien.



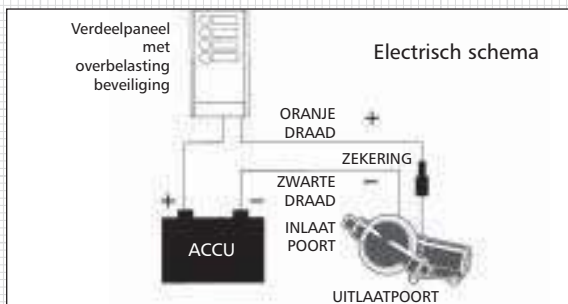
WAARSCHUWING: Pomp altijd van de stroombron losmaken.

Alle elektrische aansluitingen periodiek controleren, speciaal in de nabijheid van zeewater. Corrosie kan lager rendement en in extreme gevallen, uitvallen van de pomp tot gevolg hebben. De motor is met een speciaal corrosiewerend middel behandeld. Mocht er onverhoopt toch roestvorming opkomen, deze verwijderen en de motor opnieuw verven.

NL

Electrische aansluitingen

- Alle elektrische werkzaamheden onder droge omstandigheden uitvoeren; aansluitingen in vochtige ruimten moeten verzegeld worden om corrosie te voorkomen.
- Circuit beveiligen met een zekering of automaat van de juiste waarde aan de rode positieve (+) kabel en zo dicht mogelijk bij de stroombron.
- De zwarte motorkabel aansluiten aan de negatieve (-) accuklem.
- Onvoldoende spanning op de motorklemmen tijdens draaien van de pomp (niet lager dan 10% onder nominale spanning onder volle belasting) als gevolg van gedeeltelijk ontladen accu's of kabels van te kleine doorsnede, kan doorbranden van zekeringen, startweigering of laag pompvermogen tot gevolg hebben.



Model Nr	Spanning	Max stroomverbruik	Max zekering-waarde	Draaddoorsnede*		
				AWG	mm ²	Max. Lengte
50890-1000	12V	8A	10A	14	2.5	4.5m (15ft)
				14	2.5	9.0m (30ft)
50890-1100	24V	2.5A	5A	14	2.5	4.5m (15ft)
				14	2.5	9.0m (30ft)

* Bij overschrijding van de max. lengte, dickere kabels monteren.



WAARSCHUWING: Als de zekering herhaaldelijk doorbrandt, nooit een sterkere zekering aanbrengen of de zekering overbruggen met zilverpapier of metaaldraad. Niet opvolgen van deze aanwijzing kan brandgevaar als gevolg van oververhitting van labels tot gevolg hebben.

Vóór demontage verzekeren dat natte einde gesteriliseerd wordt.

Draaien van pompkop

(Zie afbeeldingen aan binnenzijde van achteromslag)

1. Clip induwen en einddeksel afnemen
2. Inwendige boutkoppen nu zichtbaar
3. Alle vier montagebouten losmaken
4. Bouten uitnemen en motordeel stevig vastgrijpen
5. Pompkop in gewenste stand draaien
6. Voorbeeld van verschillende pompstanden
7. Alle 4 inwendige bouten weer monteren en stevig aandraaien.
8. Einddeksel terugzetten

Draaien van poorten

(Zie afbeelding aan binnenzijde van achteromslag)

1. Klem met inbusleutel loszetten
2. Klem afnemen
3. Poort in gewenste stand draaien
4. Voorbeeld van verschillende poortstanden
5. Klem terugzetten en stevig aandraaien.

Pompa di scarico

Robusto design a singola membrana

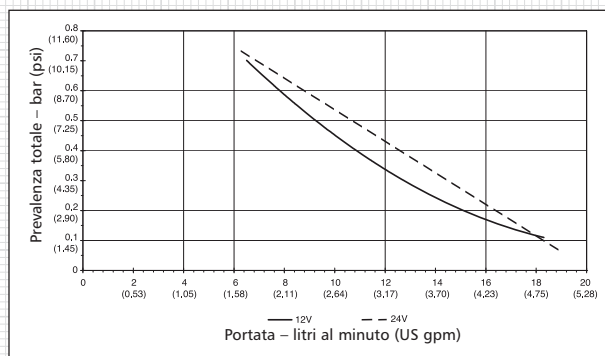
Caratteristiche

- Flessibilità di installazione
- Nessuna necessità di filtro
- Design semplice e compatto
- Autoadescante fino a 3m
- Modelli da 12 e da 24volt
- Capacità di funzionamento a secco
- Raccordi per sbocchi da 38mm
- Portata fino a 19 litri al minuto

Specifiche tecniche

- Altezza di aspirazione: 3 metri
- Normativa applicabile:
 - ISO 8846 MARINE e Norme USCG per la protezione contro l'accensione
 - ISO 8849 MARINE per pompe di sentina
- Realizzate ai sensi della ISO 15083
- Conforme alla BSEN 50081 (compatibilità elettromagnetica)

Curva delle prestazioni



Installazione

- La pompa di scarico Jabsco è autoadescante fino a un'altezza di 3m.
- Utilizzare gli sbocchi multi-posizionali per un facile montaggio della pompa.
- Se la pompa viene montata in posizione verticale, il motore dovrà essere disposto al di sopra della testa della stessa.
- Usare gli appositi gommini per assorbire le vibrazioni.
- Collegamenti idraulici: usare 1 manichetta di aspirazione non pieghevole con diametro interno di 38mm.
- Collegare la manichetta agli attacchi di entrata e di uscita della pompa usando due collari di acciaio inossidabile su entrambe le estremità.
- Tutti i collegamenti situati sul lato di aspirazione dovranno essere a tenuta stagna e privi di curve brusche o restringimenti.



AVVERTENZA: Lo scarico a mare potrà essere posizionato sotto la linea di galleggiamento soltanto se il tubo di scarico è corredato di sifone situato almeno 20cm sopra la linea di galleggiamento in tutti gli angoli di assetto e di inclinazione trasversale.



AVVERTENZA: NON usare le pompe Jabsco con benzina, petrolio o altri prodotti con punto di infiammabilità inferiore ai 37°C in quanto ciò potrebbe provocare esplosioni o morte

Funzionamento

Il motore a corrente continua è idoneo al regime intermittente e non dovrà essere azionato per più di 30 minuti alla volta.



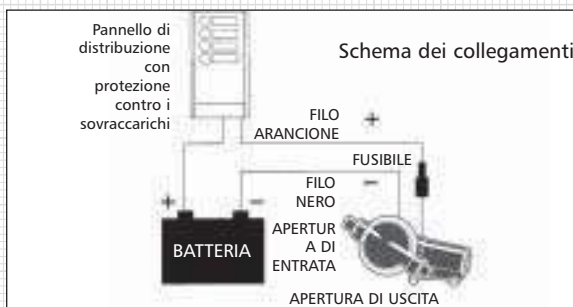
AVVERTENZA: *Staccare sempre la pompa dall'alimentazione elettrica.*

Controllare periodicamente tutti i collegamenti elettrici, soprattutto nelle zone affette da acqua di mare. La corrosione può infatti provocare perdite di rendimento o, in casi estremi, il mancato funzionamento. Il motore dovrà essere protetto con uno spray anticorrosione, avendo cura di eliminare tutte le eventuali tracce di ruggine e di riverniciare il motore.

IT

Istruzioni di cablaggio

- Effettuare tutti i collegamenti elettrici in luoghi asciutti. I collegamenti realizzati negli ambienti umidi dovranno essere opportunamente sigillati per evitare la corrosione.
- Proteggere il circuito con fusibile nominale o con un interruttore di circuito nel filo rosso positivo (+) il più vicino possibile alla fonte di alimentazione.
- Collegare il filo nero del motore al terminale negativo (-) della batteria.
- L'insufficienza di tensione in corrispondenza dei terminali del motore con la pompa in funzione (a non meno del 10% sotto la tensione nominale a pieno carico) dovuta alle batterie parzialmente scariche o a dimensioni insufficienti dei cavi potrebbe provocare lo scatto dei fusibili, il mancato avviamento o lo scarso rendimento della pompa.



N° modello	Tensione	Consumo massimo	Dimensioni Massime fusibile	Dimensioni fili*		
				AWG	mm ²	Lunghezza massima
50890-1000	12V	8A	10A	14	2.5	4.5m (15ft)
				14	2.5	9.0m (30ft)
50890-1100	24V	2.5A	5A	14	2.5	4.5m (15ft)
				14	2.5	9.0m (30ft)

* Per le installazioni più lunghe impiegare cavi di dimensioni più grosse



AVVERTENZA: *Se il fusibile continua a guastarsi, non montarne uno più grande o collegare i terminali a carta argentata o filo metallico. La mancata osservazione di questo requisito potrebbe costituire pericolo d'incendio per via del surriscaldamento dei cavi.*

Prima di procedere allo smontaggio, verificare che l'estremità bagnata sia stata sterilizzata.

Rotazione della testa della pompa

(Vedere i diagrammi riportati nella ribalta interna)

1. Spingere in giù il fermaglio e smontare il coperchio posteriore
2. A questo punto saranno esposte le teste dei bulloni interni
3. Allentare tutti e quattro i bulloni di fissaggio
4. Smontare i bulloni e afferrare fermamente l'unità motore
5. Far ruotare la testa della pompa fino a raggiungere la posizione desiderata
6. Esempio delle capacità rotatorie della pompa
7. Rimontare tutti e 4 i bulloni interni e stringerli a fondo
8. Rimontare il coperchio posteriore

Rotazione delle aperture

(Vedere i diagrammi riportati nella ribalta interna)

1. Allentare il collare usando una chiave a brugola
2. Togliere il collare
3. Far ruotare l'apertura fino a raggiungere la posizione desiderata
4. Esempio delle capacità rotatorie della pompa
5. Rimontare il collare e stringerlo a fondo

Tömning- spump

**Robust membranpump
för tömning av
septiktank.**

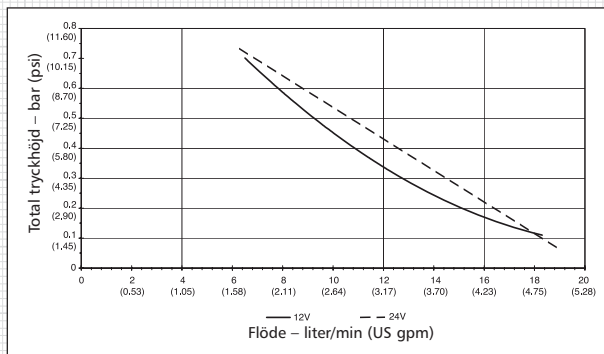
Särdrag

- Flexibel installation
- Inget behov av filter
- Kompakt och enkel design
- 12V och 24V utförande
- Torrkörningssäker
- 38mm anslutningar
- Flöde 19 liter/min

Specifikationer

- Sughöjd 3 m
- Gällande normer
 - ISO 8846 MARIN och USCG förordningar för antändningsskydd
 - ISO 8849 MARIN läns pumpstandard
- Byggt enligt ISO 15083 specifikation
- Stämmer med BSEN 50081 (elektromagnetisk lämplighet)

Prestationskurva



Installation

- Justerbart pumphus för att underlätta pumpens placering.
- Vid vertikal montering ska motorn vara ovanför pumphuvudet.
- Använd medföljande gummigenomföringar för att dämpa vibrationer.
- Spiralarmerad slang rekommenderas med 38 mm innerdiameter.
- Slangen ansluts till in- och utlopp på pumpen med två rostfria slangklämmor i varje ände.
- Alla anslutningar måste vara lufttäta och fria från vassa krökar eller hinder.



VARNING! Utloppet genom skrovet får bara placeras nedanför vattenlinjen om utloppsslangen har en ventilerad slinga minst 20 cm ovanför vattenlinjen i alla vinklar vid slagsida eller på rätt köl.



VARNING! Använd inte någon Jabsco pump till bensin, petroleumprodukter eller produkter med en flampunkt under 37°C, då det kan medföra explosionsrisk och livsfara.

Användning

Motorn är konstruerad för intermittent drift, kontinuerligt drift 30 minuter.



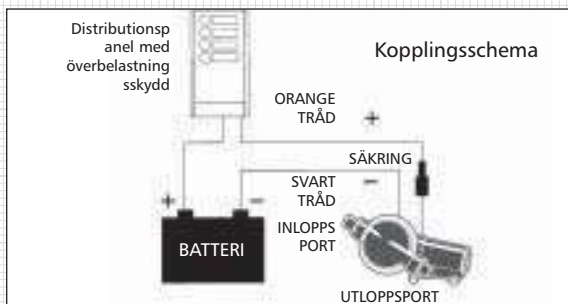
VARNING! Koppla alltid loss ifrån strömförsörjningen innan demontering.

Kontrollera alla elektriska anslutningar regelbundet, i synnerhet i saltvattenområden. Korrosion kan leda till försämrad funktion eller ingen funktion alls i extrema fall. Motorn bör skyddas med korrosionsskyddande spray, eventuell rost ska avlägsnas och motorn målas om.

SE

El - anslutning

- Gör alla elektriska anslutningar på torra platser. Anslutningar i fuktig miljö måste förseglas för att förhindra korrosion.
- Skydda kretsen med en lämplig säkring eller krets brytare i den röda pluskabeln (+) så nära strömkällan som möjligt.
- Anslut den svarta motorkabeln till batteriets minuspol (-).
- För låg spänning vid motorklämmorna (minst 10% under märkspänningen vid full belastning) på grund av att batterierna är urladdade eller fel kabel area kan leda till att säkringar smälter, pumpen inte vill starta eller att den fungerar dåligt. Montera kraftigare kablar vid längre kabelinstallationer.



Modell nr	Voltal	Max. strömförbrukning	Max. säkringsstorlek	Kabelstorlek*		
				AWG	mm ²	Max. längd
50890-1000	12V	8A	10A	14	2.5	4.5m (15ft)
				14	2.5	9.0m (30ft)
50890-1100	24V	2.5A	5A	14	2.5	4.5m (15ft)
				14	2.5	9.0m (30ft)

* Montera tjockare kablar vid längre installationer



VARNING! Om säkringen går gång på gång, montera då inte in en kraftigare säkring eller överbrygga säkringspolerna med silverpapper eller metalltråd. Om denna instruktion inte följs kan det medföra brandrisk på grund av överhettade kablar.

In och utlopp måste steriliseras före demontering.

Pumphuvudets rotation

(Se scheman på omslagets insida)

1. Tryck ned klämman och tag bort ändplattan
2. De inre bulthuvudena friläggs då
3. Lossa alla fyra monteringsbultarna
4. Tag bort bultarna och grip stadigt tag i motorn
5. Vrid pumphuvudet till önskad position
6. Exempel på pumprotation
7. Sätt tillbaka de 4 inre bultarna och drag åt ordentligt
8. Sätt tillbaka ändplattan

Portarnas rotation

(Se scheman på omslagets insida)

1. Lossa klammern med insexnyckel
2. Tag bort klammern
3. Vrid porten till önskat läge
4. Exempel på pumprotation
5. Sätt tillbaka klammern och drag fast den ordentligt

Bomba para desechos

De diafragma único de diseño sólido

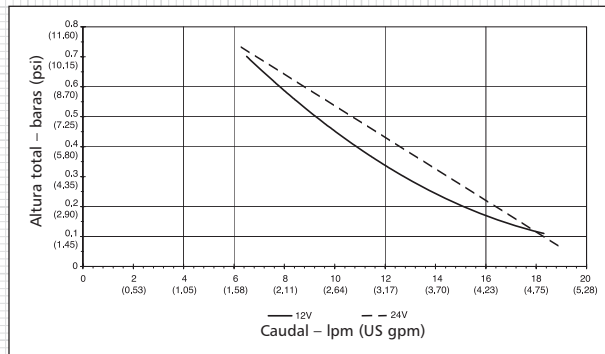
Características

- Instalación flexible
- No requiere filtro
- Diseño compacto y simple
- Autocebadora hasta 3m
- Variantes de 12v y 24v
- Capacidad para funcionar en seco
- Conexiones para puertos de 38mm
- Caudal de hasta 19 lpm

Especificaciones

- Altura de aspiración: 3 metros
- Estándares pertinentes:
 - ISO 8846 MARINO y Reglamentos USCG para Protección contra Incendio
 - ISO 8849 MARINO Norma sobre bombas de sentina
- Construida de conformidad con la especificación ISO 15083
- Cumple la norma BSEN 50081 (Compatibilidad Electromagnética)

Curva de prestaciones



Instalación

- La bomba de Jabsco para desechos es autocebadora hasta 3 m.
- Utilice puertos con posiciones múltiples para la instalación fácil de la bomba.
- Si el montaje es vertical, el motor debería estar por encima de la cabeza de la bomba.
- Utilice las arandelas aislantes de caucho provistas para absorber la vibración.
- Conexiones de tuberías: Utilice una manguera no aplastable para aspiración de desechos con un diámetro interno de 38 mm.
- Conecte la manguera a la entrada y a la salida de la bomba utilizando dos grapas de acero inoxidable en ambos extremos.
- Todas las conexiones de aspiración deben ser estancas al aire y no deberán tener codos agudos ni restricciones.



ADVERTENCIA: La descarga por el casco se podrá colocar por debajo de la línea de flotación sólo si la manguera de descarga cuenta con un bucle venteado al menos a 20 cm por encima de la línea de flotación en todos los ángulos de escoraje o asiento.



ADVERTENCIA: No utilice ninguna bomba Jabsco para gasolina, productos de petróleo ni para ningún producto con un punto de inflamación por debajo de 37°C ya que ello podría causar explosiones o muerte.

Funcionamiento:

El motor CC es para funcionamiento intermitente y no se deberá hacer funcionar continuamente durante más de 30 minutos.



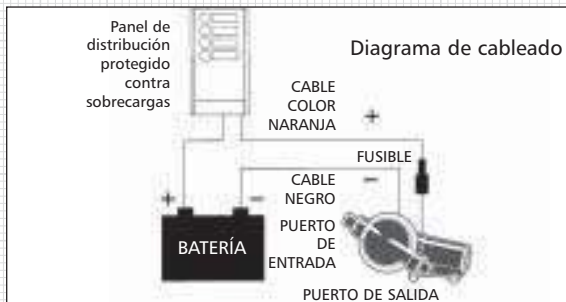
ADVERTENCIA: Siempre desconecte la bomba del suministro eléctrico.

Controle todas las conexiones eléctricas periódicamente, en particular en las zonas de agua salada. La corrosión puede causar pérdida de prestaciones de la bomba y en casos extremos interrupción total del funcionamiento. Se deberá proteger el motor con un rocío inhibidor de corrosión y se deberá retirar cualquier oxidación y volver a pintar el motor.

ES

Instrucciones para el cableado

- Todas las conexiones eléctricas se deberán hacer en un lugar seco. Las conexiones en entornos húmedos se deberán sellar para impedir la corrosión.
- Proteja el circuito con un fusible de intensidad nominal o disyuntor en el cable rojo positivo (+) tan cerca de la fuente de potencia como sea posible.
- Conecte el cable negro del motor al terminal negativo (-) de la batería.
- La tensión inadecuada en los terminales del motor cuando la bomba está funcionando (no inferior a 10% por debajo de la tensión nominal durante plena carga) debido a baterías parcialmente descargadas o tamaño insuficiente del cable podrían resultar en fusibles quemados, fallos del arranque o prestaciones inadecuadas de la bomba.



Modelo No.	Tensión	Toma máx. (amp)	Tamaño máx. del fusible	Tamaño de cableado*		
				AWG	mm ²	Longitud máx.
50890-1000	12V	8A	10A	14	2.5	4.5m (15ft)
				14	2.5	9.0m (30ft)
50890-1100	24V	2.5A	5A	14	2.5	4.5m (15ft)
				14	2.5	9.0m (30ft)

** Para instalaciones más largas, utilice cables de mayor gros.



ADVERTENCIA: Si el fusible falla varias veces no coloque un fusible de mayor potencia ni pantee los terminales del fusible con papel de plata o cable de metal. En caso de no acatarse esta instrucción podría haber un peligro de incendio debido a recalentamiento de los cables.

Asegure la esterilización del extremo húmedo antes del desarmado.

Giro de la cabeza de la bomba

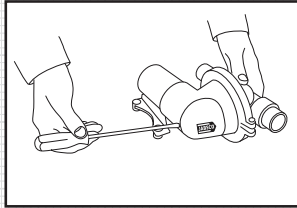
(Vea los diagramas en el interior de la cubierta trasera)

1. Empuje la abrazadera hacia abajo y retire la tapa en el extremo.
2. Las cabezas de los pernos internos quedarán expuestas ahora.
3. Afloje los cuatro pernos de montaje.
4. Retire los pernos y sostenga la unidad del motor firmemente.
5. Gire la cabeza de la bomba a la posición deseada.
6. Ejemplos de la capacidad de rotación de las bombas.
7. Vuelva a colocar los 4 pernos internos y apriételos firmemente.
8. Vuelva a colocar la tapa.

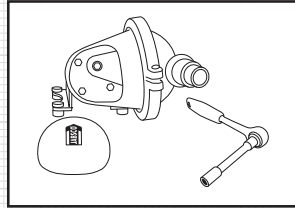
Rotación de los puertos

(Vea los diagramas en el interior de la cubierta trasera)

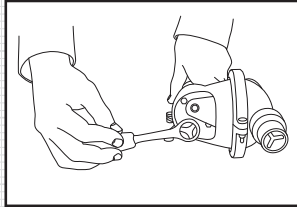
1. Afloje la abrazadera utilizando la llave Allen.
2. Retire la abrazadera.
3. Gire la unidad de los puertos a la posición deseada.
4. Ejemplos de la capacidad de rotación de las bombas.
5. Vuelva a colocar la abrazadera y apriétela hasta que esté firmemente asegurada.



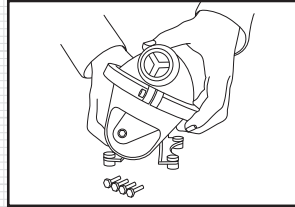
1



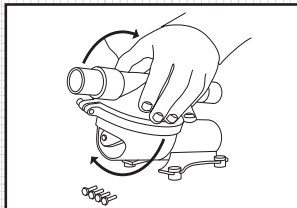
2



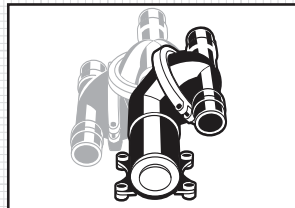
3



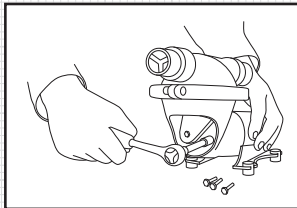
4



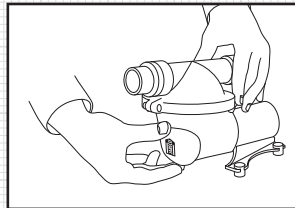
5



6

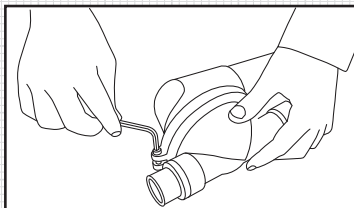


7

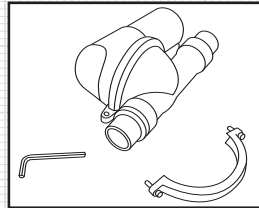


8

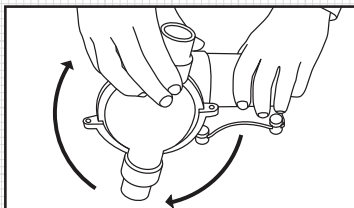
Rotation of Ports



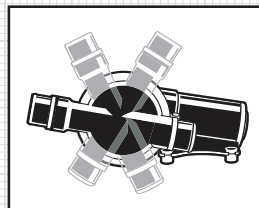
1



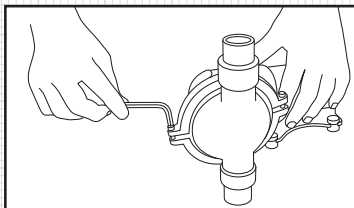
2



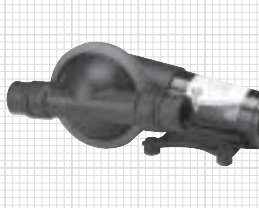
3

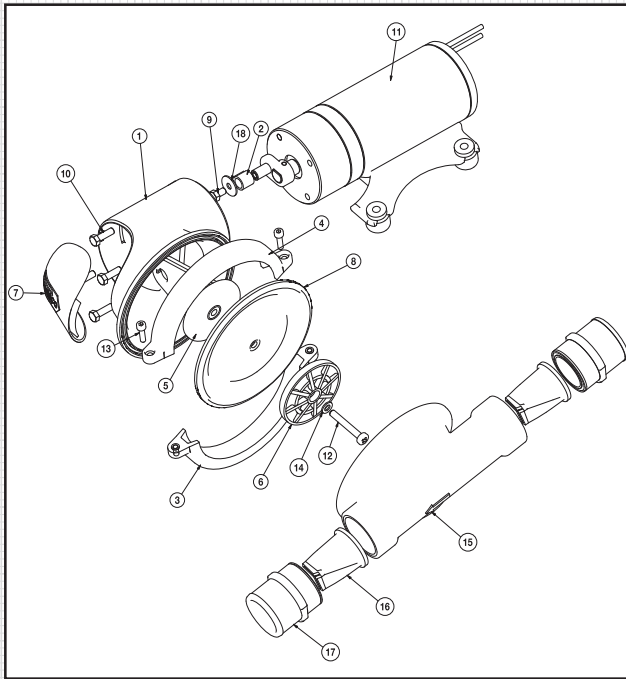


4



5

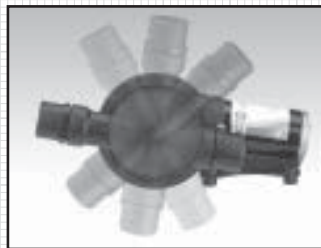


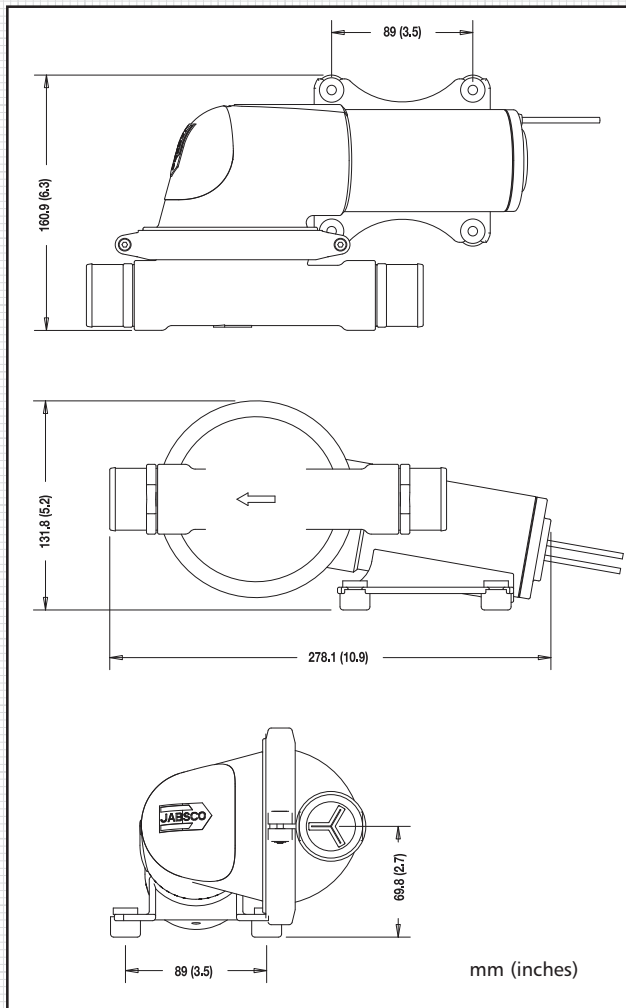


Part Numbers		
Model	Voltage	Fuse Sizes
50890-1000	12V	10A
50890-1100	24V	5A

Service Kit (Includes*)	
SK890	Service Kit - Waste Pump

Key	Description	*Quantity in Kit
1	Bracket	
2	Bush	
3	Clamp Bottom	
4	Clamp Top	
5	Con Rod	
6	Con Rod Plate	
7	Cover	1
8	Diaphragm	1
9	Hex Head Screw	
10	Hex Head Screw	4
11	Motor Assembly	
12	Screw Recessed Pan Head	1
13	Socket Head Screw	
14	Washer	1
15	Waste Pump Chamber	
16	Waste Pump Joker Valve	2
17	Waste Pump Port	2
18	Washer	





Jabsco



ITT Industries

Engineered for life

Jabsco,

1 Kondelin Road, Cape Ann Industrial Park, Gloucester, MA 01930 **USA**
 Tel: +1 978 281 0440 Fax: +1 978 283 2619

Jabsco,

Bingley Road, Hoddesdon, Hertfordshire EN11 0BU **UK**
 Tel: +44 (0) 1992 450 145 Fax: +44 (0) 1992 467 132

Fluid Products Canada,

55 Royal Road, Guelph, Ontario N1H 1T1 **CANADA**
 Tel: +1 519 821 1900 Fax: +1 519 821 2569

NHK Jabsco Co Ltd,

3-21-10, Shin-Yokohama, Kohoku-ku, Yokohama 222 **JAPAN**
 Tel: +81 (0) 45 475 8906 Fax: +81 (0) 45 475 8908

Jabsco GmbH,

Oststraße 28, 22844 Norderstedt **GERMANY**
 Tel: +49 (0) 40 53 53 73 0 Fax: +49 (0) 40 53 53 73 11

Jabsco Marine Italia S.r.l.,

Via Tommaseo, 6, 20059 Vimercate, Milano **ITALY**
 Tel: +39 039 6852323 Fax: +39 039 666307

Discover Jabsco at www.jabsco.com

Warranty: All products of the company are sold and all services of the company are offered subject to the company's warranty and terms and conditions of sale, copies of which will be furnished upon request

WE MAKE
THE BEST BOATS
BETTER!TM



The world leader in
trim tab, trolling motor and hatch lift innovation.



OWNER'S MANUAL

Featuring NEW waterproof Deutsch connectors!

Lenco Electric Actuators

Lenco power explained...

The entire Lenco Actuator is fully submersible, maintenance-free and sealed for life

Corrosion proof, water tight Vandar top cap and mounts stand up to severe loads

Buna-N SBR O-ring ensures absolute water-tight seal

Tough, high-torque motor easily transfers 750 lbs (340.18 kg) Available in 12- or 24-volt motor.

Precision molded, powdered metal, high alloy gears provide high accuracy, high wear resistance, and high strength for long life

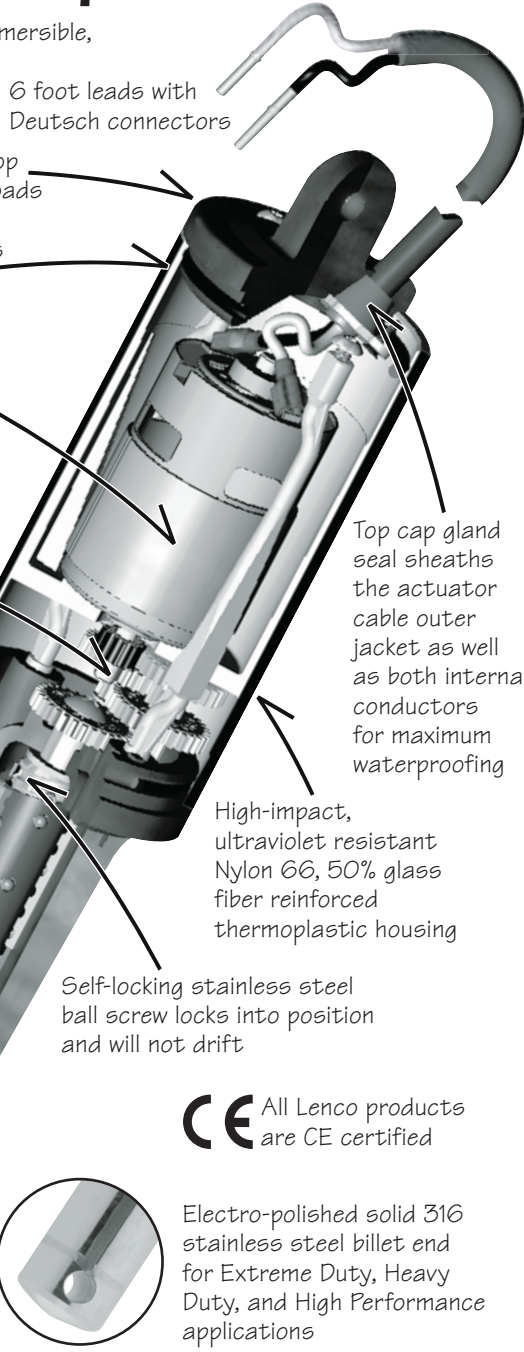
Buna-N SBR O-ring ensures absolute water-tight seal

Ballscrew rotates freely on 12 ball bearings at both ends of its stroke so there's no need for complicated limit switches and clutches

Dual Nitrile Buna SBR O-ring sealed for maximum protection

Stainless steel ram will not flex, even under extreme loads

Corrosion proof Vandar mounts always look great



6 foot leads with Deutsch connectors

Top cap gland seal sheaths the actuator cable outer jacket as well as both internal conductors for maximum waterproofing

High-impact, ultraviolet resistant Nylon 66, 50% glass fiber reinforced thermoplastic housing

Self-locking stainless steel ball screw locks into position and will not drift

CE All Lenco products are CE certified

Electro-polished solid 316 stainless steel billet end for Extreme Duty, Heavy Duty, and High Performance applications

CONGRATULATIONS!

You have just purchased the finest, performance trim tab system in the world! Welcome to the future.

Lenco Trim Tabs make the single most important difference in the way your boat rides and performs. Lenco Trim Tabs make your boat ride smoother, drier, faster, and safer with increased fuel efficiency whether on a small skiff or a mega-yacht. Lenco's ball screw design is more reliable, twice as powerful and features an instant response, making them very user friendly compared to typical hydraulic trim tabs. Lenco Trim Tabs are oil free and are environmentally friendly. Our goal is to manufacture products that simply make boating more enjoyable.



The contents of this manual are subject to change without notice and do not constitute a commitment on the part of Lenco Marine, Inc. Every effort has been made to ensure the accuracy of this document. However due to ongoing product improvement and revision, Lenco Marine cannot guarantee the accuracy of printed material after date of publication nor can it accept the responsibility for errors or omissions. Lenco Marine will update and revise this document as needed. Reproduction or duplication of the manual, or any part thereof is prohibited without the expressed written permission of Lenco Marine, Inc. All rights reserved. © 2007 Lenco Marine, Inc.



Contents

Trim Tabs	
Operation	5
Special Conditions	6
Safety	6
System Parts	7
Troubleshooting	7
Additional Information	7
Installation Instructions	8-10
Switch Template	27
Switch Wiring Diagram #123SC	12
Switch Wiring Diagram #124SSR	13
Flybridge Wiring Diagram	14
Switch Wiring Diagram Dual Actuators	15
Warranty	11
Switch Options & Upgrades	16
Optional Switches	16
Operation	17
Bennett Marine RetroFit Kit	
Installation Instructions	18
Wiring Instructions	20
Warranty	11
Upgrading and Retro-fitting	21
Actuators	22
Hatch Lifts	
Installation/Operation	24
Mounting	25
System Parts	25
Warranty	23
Wiring	24
Product Summary	26
Switch Template	27



Trim Tab Operation

Trim Tab Operation

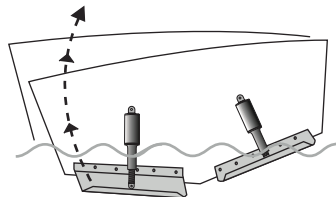
The Lenco Tactile Switch is based on the position of the bow.



Without Trim Tabs



With Trim Tabs



When the tabs are lowered, the water flow is redirected creating an upward force at the stern of the boat.

Lenco Trim Tab kits include two stainless steel planes, two electromechanical actuators and all mounting hardware for installation. (See available switch options on page 16.) The trim tabs operate independently of one another to provide optimal performance by redirecting water flow at the transom of the boat. Lenco Trim Tabs have been designed to improve the overall attitude of a boat. If used properly, Lenco Trim Tabs improve the ride, reduce drag, increase speed and improve the fuel efficiency of your boat.

The operation of Lenco Trim Tabs is basic. The two stainless steel planes are mounted with the actuators on the transom of the boat. When the tabs are lowered, the water flow is redirected creating an upward force at the stern of the boat. When the stern rises, the bow will lower.

Since Lenco actuators are electromechanical, they provide an immediate response at the touch of the switch. The Lenco switch is based on the position of the bow. The left side of the switch controls the starboard tab. The right side of the switch controls the port tab. The system is set up this way to minimize the guesswork while underway. To lower the starboard bow, press the right (starboard) switch where it reads DOWN. To lower the port bow, press the left (port) switch where it reads DOWN.

Since all boats are different in weight, length, speed and performance, it takes practice to understand how your boat reacts with trim tabs installed. Lenco Trim Tabs allow your boat to get on plane faster and continue planing at lower speeds. This improves visibility and the overall safety of your boat. When making adjustments with the trim tabs, use short momentary taps of the switch.

To become knowledgeable on how your boat performs with Lenco Trim Tabs, remember, practice makes perfect.

Lenco electromechanical actuators provide an instant response. When making adjustments, use short momentary taps of the switch.

Trim Tab Operation

SPECIAL CONDITIONS

HEAD SEA

Head Sea — Lower both tabs slightly by pressing BOW DOWN on both sides. This brings bow down while maintaining speed. This adjustment allows the hull of the boat to absorb the impact of the waves, resulting in a more efficient and smoother ride.

FOLLOWING SEA

Following Sea — Make sure the tabs are fully retracted by pressing BOW UP on both sides. This brings both tabs to a fully retracted position decreasing lift in the stern, allowing the bow to rise. If tabs are deployed, the bow may dig.

WINDY CHOP

Windy Chop — To raise the windward side of the boat press BOW UP on that side. If this is not sufficient, press BOW DOWN on the leeward side of the boat. Do not over trim when attempting this. This allows the windward side of the boat to rise and minimizes spray.

SHALLOW WATER HOLE SHOT

Shallow Water/Hole Shot — Lower both tabs completely down by pressing BOW DOWN on both sides. This provides lift in the stern of the boat and keeps the bow down. As you throttle up and speed increases, raise tabs by pressing BOW UP on both sides.

UNEVEN LOAD

Uneven Load — If one side of the boat is higher than the other while running, press BOW DOWN on the switch on that side. This lowers the tab on the listing side (low side) to bring the boat level.

PORPOISING

Porpoising — To stop porpoising, press BOW DOWN on both sides of the switch. The tabs need only to be deployed slightly to correct this adverse situation.

SAFETY

While the boat is underway, do not move one tab up or down significantly; this may cause listing.

While at higher speeds, do not over trim. This causes the bow to lower quickly, resulting in a reduction of speed and may cause the boat to veer.

When in following seas or when running an inlet, the tabs should be fully retracted. This allows for optimal performance.

While operating trim tabs, use caution. Improper use of trim tabs may cause accidents and/or injury.



Trim Tab System Parts & Troubleshooting

1	Stainless steel blade with hinge	#20141-001 (B-9x12 dimensions of tab)
2	Electromechanical Actuator	#101, #101 XD, #101 XDS, #102 XD
3	Upper mounting bracket	#15085-001 (116)
4	Space saver upper mounting bracket (optional)	#50225-001 (117)
5	Lower mounting bracket	#50014-001 (119)
6	RetroFit Kit bracket	#15085-001 (116)
7	(Qty. 2) 5/16 #18 X 1-3/4" large hex head bolt and 5/16	#10250-001
8	#123 L.E.D. Indicator Switch w/Retractor (optional)	#15070-001 (123SC)
9	124SSR Standard solid state Tactile Switch w/ Retractor (optional)	#15069-001 (124SSR)
10	#123 DR Dual Actuator L.E.D. Indicator Switch w/Retractor (optional)	#15071-001 (123DRSC)
11	Shim kit (optional)	#50015-002 (118S)
12	(Qty. 26) 1-1/4" (3.17 cm) stainless steel sheet metal screw kit	#10002-001 (Kit #1)
13	(Qty. 6) 20 X 7/8" (2.22 x .63 cm) stainless steel screws, (Qty 6) flat washers and (Qty. 6) 1/4" (.63 cm) lock nuts	Kit #4

Troubleshooting Guide for Trim Tabs

Trim tabs do not work together, independently or intermittently.

Solution Sequence:

- 1) Inspect fuse at fuse panel. Replace if necessary.
- 2) Verify that all connections at switch control box are tight and in place.
- 3) Make sure that switch assembly has a solid ground.
- 4) If the actuator cables were spliced inside the transom, inspect joint for positive connection.
- 5) If, after following steps stated above, the actuators still do not operate properly — STOP and call the factory for further assistance at 772-288-2662.

Additional Information

- Check electrical connections behind switch and make sure ground wire is in place.
- The addition of a zinc anode will deter electrolysis. It is important that the zinc is in contact with the trim tab blade.
- To discourage any marine growth on tab or actuator, antifouling paint can be applied. When applying paint to the actuator, make sure it is fully retracted. Do not paint the stainless ram above the area that is exposed when retracted.
- If tabs malfunction or tabs become stuck in the down position while underway, remove pin or bolt at the lower mounting bracket.
- To reposition the actuator turn stainless steel ram clockwise and reattach.

Trim Tab Installation Instructions

Trim Tab Installation Instructions

Warning: The following instructions contain important safety information and should be followed carefully. Failure to do so may result in injury and will void warranty.

Please read through the instructions in their entirety prior to beginning installation!

TOOLS AND MATERIALS LIST

- Electric drill
 - Wire crimper/cutter
 - Tape measure
 - 3/16" & 3/8" drill bits (.48 & .95 cm)
 - 7/16" (1.11 cm) wrench
 - Small hammer
 - 4' (1.22 m) level
 - Straight edge
 - 3M 5200 adhesive caulking
 - 2" (5.08 cm) hole saw
 - #2 & #3 Phillips screwdrivers
 - 3M 5200 adhesive caulking
1. To begin, determine where the Lenco Trim Tab Kit will be installed.
Note: When laying out the desired tab location, hold the tab against the transom with the bottom of the hinge knuckle 3/8" (.95 cm) from the bottom of the transom, approximately 1" to 4" (2.54 to 10.56 cm) in from the chine, and in line with the hull. When mounting the hinge to the hull make sure that the inside corner of the hinge knuckle is no closer than 2" (5.08 cm) to the left or right of any strake edge. The hinge may overlap a strake edge as long as any corner of the hinge knuckle is no closer than 2" (5.08 cm) to the left or right of the strake edge. (see Fig.1). Transfer (trace) the screw hole pattern onto the transom for drilling, see step 2.
 2. Using the 3/16" (.48 cm) drill bit, drill the previously marked hole locations to a depth of 1-1/4" (3.17 cm).

Note: When drilling out the screw hole pattern for the trim tab hinge you may drill through the transom, however the screws when installed with 3M 5200 adhesive caulking will seal the holes. All supplied screws and fasteners are stainless steel. Do not use any other type of alloy.

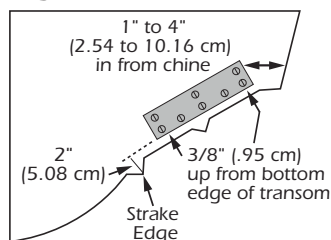
Mount the trim tab hinge to the transom using provided #14 x 1-1/4" (3.17 cm) stainless steel metal screws. We recommend using 3M 5200 adhesive caulking to bed the hinge and screws. **DO NOT OVERTIGHTEN.**

3. Attach the lower mounting bracket to the tab with the bolts, washers, and nylon lock nuts provided., Attach the upper bracket to the actuator using the 5/16-18 X 1-3/4" (4.45 cm) large hex head bolt and 5/16-18 hex nut provided. Attach the actuator to the lower bracket using the 5/16-18 X 1-3/4" (4.45 cm) large hex head bolt and 5/16-18 hex (.79) nut provided.

In order to properly position the upper bracket against the transom, you must lift the trim tab so that the trailing edge is approximately

Note: Performance tabs should be mounted with the tapered end facing toward the center of the boat.

Fig. 1



Trim Tab Installation Instructions

5/8" (1.59 cm) (for a 9" trim tab) and 3/4" (1.9) (for a 12" trim tab) above the straight edge when held to the hull (see Fig. 2). When the trim tab is at the appropriate level, transfer (trace) the outer shape of the upper bracket onto the transom. The upper bracket should be marked where it lays naturally against the transom to prevent binding during travel. (Do not adjust the upper bracket to the right or left, as this will cause binding, instead just allow the bracket to come to rest in its natural position).

Remove the actuator from the lower bracket. Remove the upper bracket from the actuator and align to the previously marked location to mark the upper screw hole locations and cable hole location. Using the 3/16" (.48 cm) drill bit, drill the previously marked screw hole locations to a depth of 1-1/4" (3.17 cm).

Note: When drilling out the screw hole pattern for the trim tab hinge you may drill through the transom, however the screws when installed with 3M 5200 adhesive caulking will seal the holes when installed. All supplied screws and fasteners are stainless steel. Do not use any other type of alloy.

4. Warning: With some installations, fuel, water tanks and/or other systems may prevent the actuator cable from entering the hull through the upper mounting bracket. Be sure to check inside the hull before drilling the 3/8" (.95 cm) cable hole.

If all is clear, Using the 3/8" (.95 cm) drill bit., drill the previously marked cable hole completely through the transom. Insert the actuator cable through the appropriate hole in the upper bracket until it reaches the actuator. Insert the actuator cable through the gland seal until it

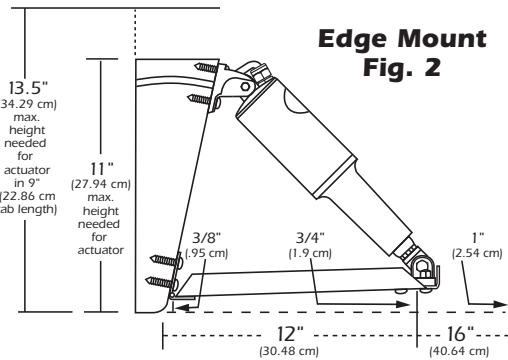
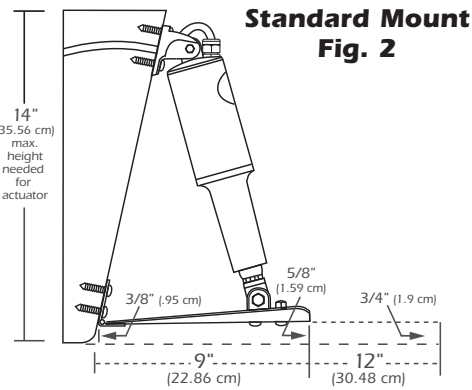
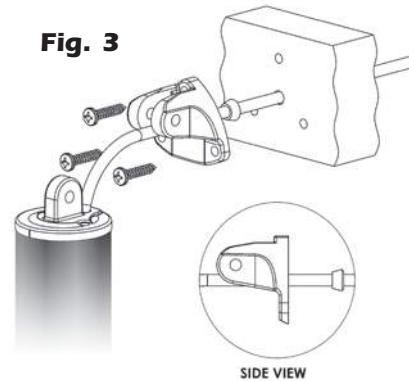


Fig. 3



reaches the upper bracket.

Note: For appropriate orientation of upper bracket and gland seal, (see Fig 3).

Continued on page 10.

Trim Tab Installation Instructions

Installation Instructions continued from page 9.

Insert the actuator cable through the transom. With the actuator loosely supported, start the provided #14 x 1-1/4" (3.17 cm) stainless steel metal screws through the upper bracket and into the transom. **MAKING SURE TO LEAVE THE SCREWS ONLY PARTIALLY INSTALLED.**

Insert the actuator clevis (mounting ear) into the top bracket and hold in the approximate installed location. Pass the actuator cable through the transom removing slack on the cable until it is snug. Remove the actuator from the upper bracket and finish installing the previously started #14 x 1-1/4" (3.17 cm) stainless steel metal screws through the upper bracket and into the transom. We recommend using 3M 5200 adhesive caulking to bed the upper bracket and screws. **DO NOT OVERTIGHTEN.**

Attach the actuator to the upper bracket using the 5/16-18 X 1 3/4" (4.45 cm) large hex head bolt and 5/16-18 (.79 cm) hex nut provided. If, however, you are prevented from drilling a hole through the transom at the bracket location, using the 3/8" (.95 cm) drill bit, simply drill a 3/8" (.95 cm) hole 4" to 5" (10.16 to 12.7 cm) above the waterline and insert the cable. Cover the hole and cable with a clamshell vent sealed with 3M 5200 for a waterproof and finished effect.

Assemble actuator connector ends as instructed in Actuator Deutsch Connector Instructions insert card provided.

5. At the helm, determine where the tactile switch will be installed, locate the template on page 27 and secure to helm, cut a circular opening using a 2" (5.08 cm) hole saw. Before cutting, make sure the area inside

the helm is clear of wires and other equipment that could be damaged. Using the template on page 35, drill four 3/16" (.48 cm) holes through the helm.

Secure the switch with the nylon nuts provided. When mounting the black control box, keep in mind that there is a 30" (76.2cm) lead that attaches to the back of the tactile switch. Make sure control box is mounted on a vertical surface with wires facing down toward the deck.

6. Following the trim tab switch wiring diagram, connect the actuators or the actuator extension cables to the switch control box. Be very careful of sharp edges that may damage the cable. Remember the left switch controls the right starboard tab and the right switch controls the left port tab.

**Please follow the instructions and drawings carefully.
Call the Lenco Service Department at 772-288-2662 for technical assistance.**



Trim Tab Warranty



Lenco Trim Tabs, Switches and Bennett RetroFit Kits carry a 3-year limited warranty from the date of original purchase.

When possible, please refer to our troubleshooting guide on our website, <http://www.lencomarine.com> prior to processing your claim with the Lenco factory.

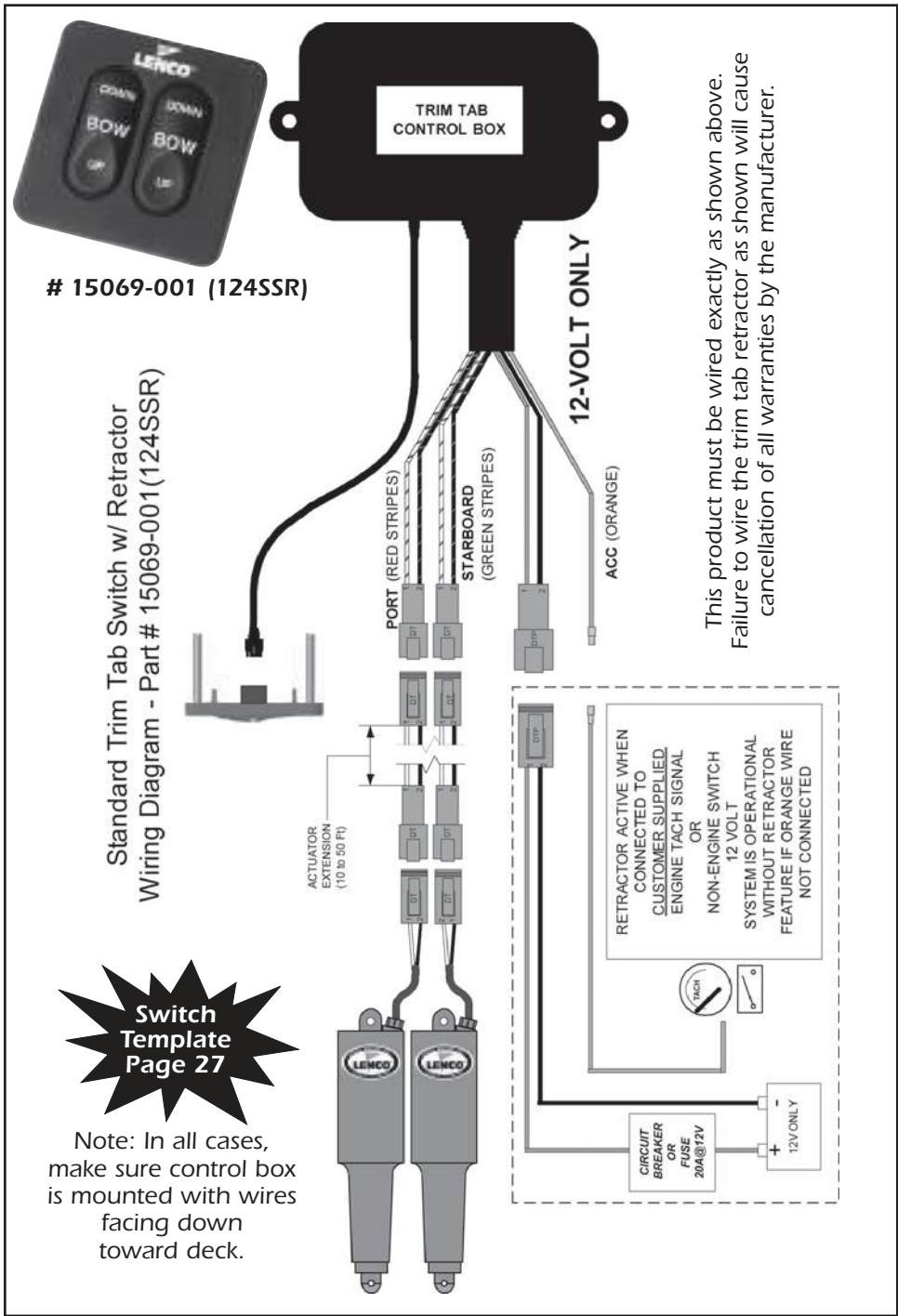
1. Call Lenco Marine at 772-288-2662, and ask for customer service. Give the technician a brief description of the product and the problem. Once the tech determines that the product is eligible for repair or replacement, they will issue you an RMA number (Return Merchandise Authorization). **Claims will not be processed without an RMA number.**
2. Return product and paperwork to Lenco Marine with the following information: name, telephone number, description of problem, proof of purchase to verify warranty. Proof of purchase and warranty info can consist of the following:
 - A. Bill of sale from place of purchase
 - B. Retail boat purchase bill of sale
3. Mark the outside of the package with the RMA number and return it to Lenco Marine Customer Service Department at 4700 SE Municipal Court, Stuart, FL 34997 for processing. Once received, our Customer Service Department will make every effort to process your return quickly. Should time restraints prohibit you from sending in the merchandise first, or you need an immediate

replacement, you will be required to secure the replacement part with a credit card prior to shipment (Visa, MasterCard, American Express, Discover). Lenco Marine ships all warranty items UPS ground. Costs for upgrades in shipping are the responsibility of the customer. Lenco Marine warranties all trim tabs, switches or Bennett RetroFit Kits for a period of 3 years from the date of original purchase. If any part of a Lenco Trim Tab, switch or Bennett RetroFit Kit fails due to manufacturing defects or workmanship within a period of 3 years from the date of original purchase, Lenco Marine will repair or replace the part(s) without charge at our discretion. No haul out, labor or miscellaneous charges are covered under this warranty. Warranty is not transferable.

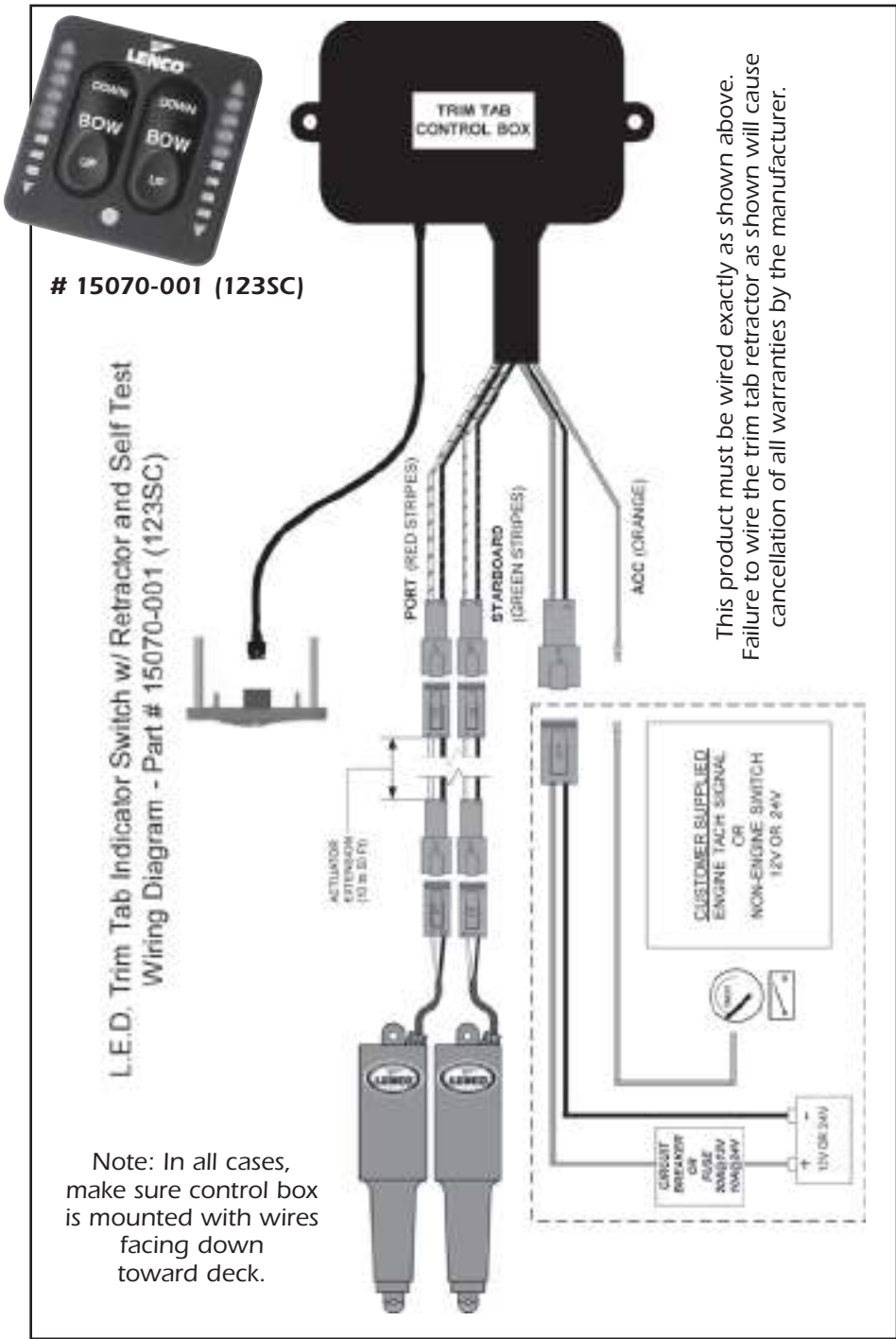
The foregoing is in lieu of any and all other warranties, expressed or implied, including any warranty of merchantability or fitness for a particular purpose. There are no other warranties which extend beyond that set forth above. Lenco Marine reserves the right to void any warranty claim if the part is opened or repair was attempted, without prior authorization from Lenco Marine.

Lenco Marine, Inc.
Phone: 772-288-2662
Fax: 772-288-2566
www.lencomarine.com
4700 SE Municipal Court
Stuart, FL 34997

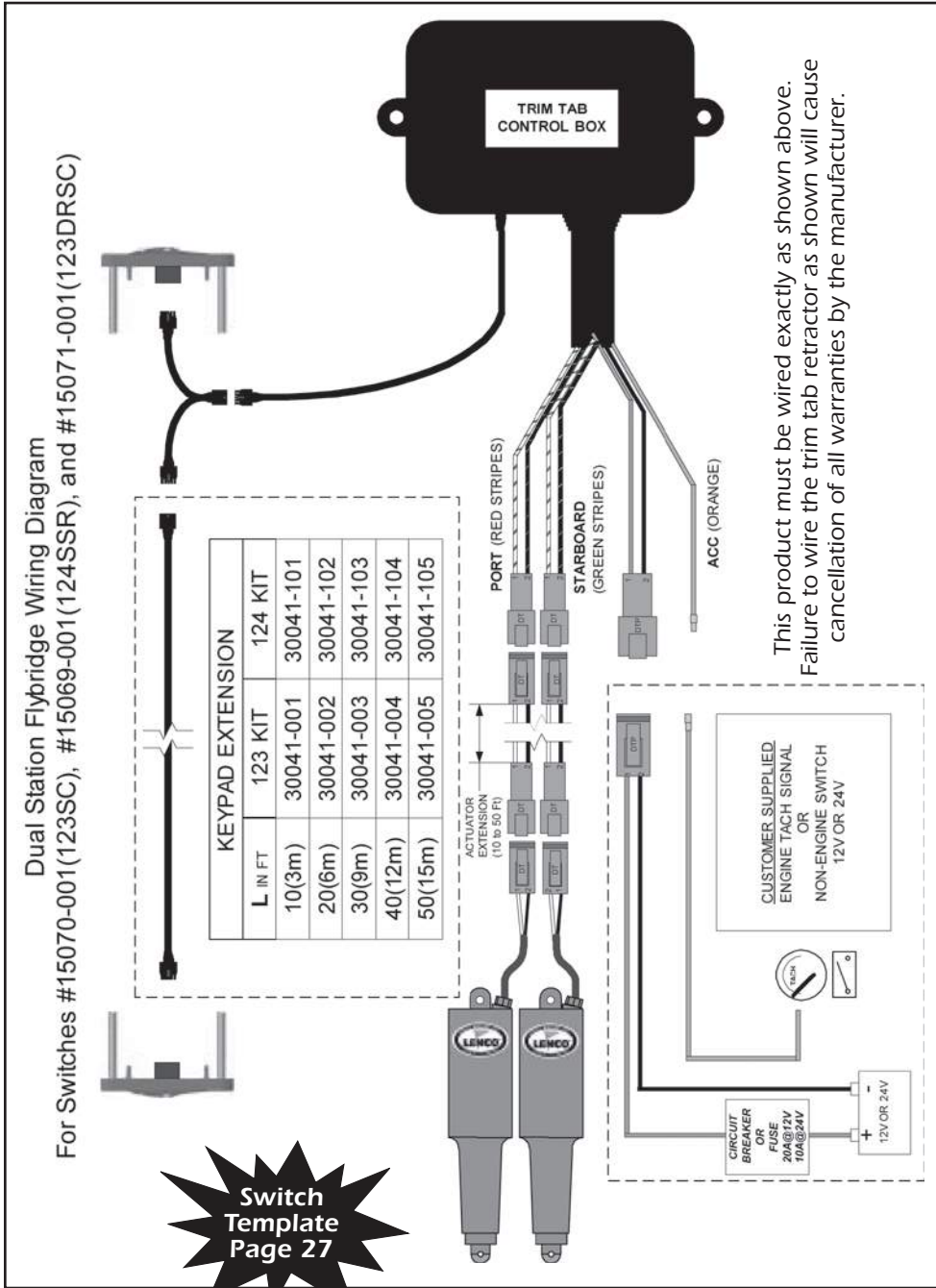
Switch Wiring #15069-001 (124SSR)



Switch Wiring #15070-001 (123SC)



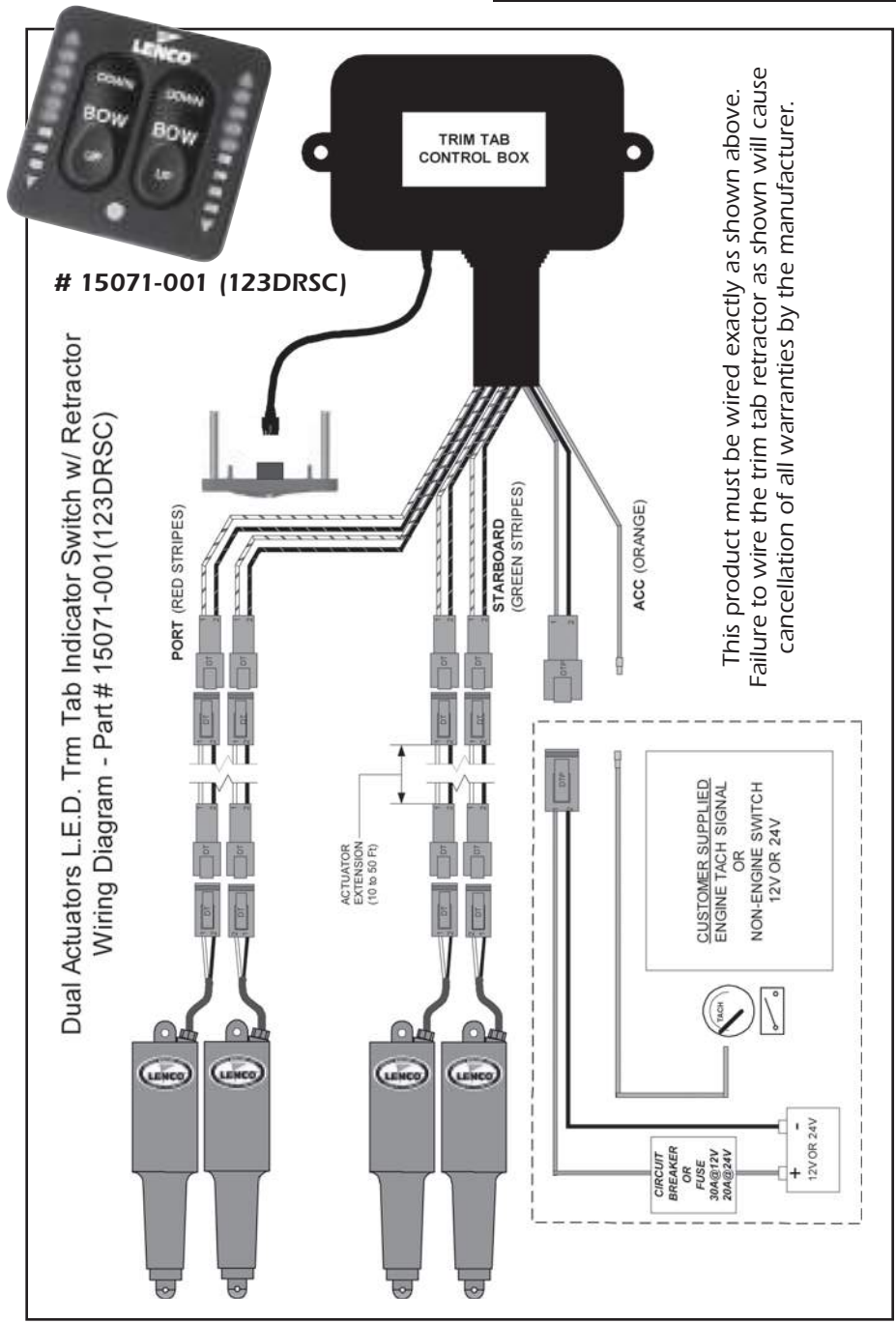
Dual Station Switch Wiring



Note: In all cases, make sure control box is mounted with wires facing down toward deck.



Dual Actuator Switch Wiring



Note: In all cases, make sure control box is mounted with wires facing down toward deck.

Optional Switches

Complete your trim tab system with the latest switch technology — totally waterproof, maintenance-free, easy-to-install tactile switches.

Lenco Switch Options

#15069-001 (124SSR) – Standard Tactile Switch w/Retractor for all single actuator 12-volt trim tab systems

#15070-001 (123SC)- L.E.D. Indicator Tactile Switch w/Retractor and Self-Check for all single actuator 12- or 24-volt trim tab systems

#15071-001 (123 DRSC) - Dual Actuators L.E.D. Indicator Tactile Switch w/ Retractor and Self-Check

#10225-001 (125)- For Air Boats and Hatch Lifts.

Lenco switches feature:	124 SSR	123 SC	123 DRSC
1) Self-Check feature at power-up			
2) Self-contained, sealed keypad			
3) Self-contained, sealed control box			
4) Fade/smudge-proof, laser engraved graphics			
5) Plug & play switch wiring harness connectors			
6) Built-in Retract feature returns tabs to a fully retracted position when power or tach signal is removed			
7) 2 high-intensity L.E.D. indicator displays show the exact position of your trim tabs at all times			
8) Photo eye reads ambient light and adjusts the L.E.D. indicator display intensity for optimum viewing in all light conditions			
9) Backlit keypad graphics for optimum night viewing			
10) 24-volt compatibility			

NEW! Waterproof Plug & Play Deutsch Connections

16

Lenco Marine

Switch Operation

SWITCH OPERATION

The operation of the indicator switch is based on the position of the bow. To lower the starboard bow, press the right (starboard) side of the switch where it reads Down. This lowers the port tab. To lower the port bow, press the left (port) side of the switch where it reads Down. This lowers the starboard tab. The L.E.D. displays on the sides of the display show how far that tab has moved.

When the on/off switch is turned on at the helm or the engine's tachometer circuit becomes active, the L.E.D. displays on the indicator switch light from top to bottom and immediately extinguish from

bottom to top to indicate self test at power up. If there is a problem with an actuator connection the L.E.D. displays shows every other light red "ON" at the side that has the problem. After self test is complete (1 to 2 seconds) the L.E.D. displays show one up arrow on each side of the switch. This shows that both tabs are fully retracted. While functioning the tabs, the L.E.D. displays indicate the position of the tabs by lighting up the further they are pressed down. As the switch is pressed up, the lights go out. When power is removed from the switch or the engine stops (if accessory wired to tach), the tabs retract from any position before powering down.



Indicator Switch with Retractor #15070-001 (123SC)



Standard Switch #15069-001 (124SSR)



RetroFit Kit for Bennett Trim Tabs Installation Instructions

Electric RetroFit Kit for Bennett Trim Tabs Installation Instructions

Lenco Marine's RetroFit Kit is designed as a direct replacement for the Bennett 4-ring standard trim tab actuator.

Note: Bennett Joystick Control can not be retrofitted to the Lenco Actuators.

These instructions should be followed completely. If you experience any problems not covered, please call the Lenco Marine customer service line at 772-288-2662.

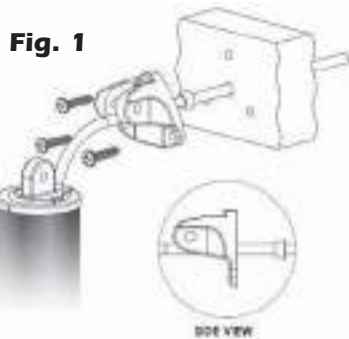
- 1) Disconnect the Bennett hydraulic pump unit (HPU) and drain as much of the hydraulic fluid as possible into a container for proper disposal later. Remember that automatic transmission fluid (ATF) is to be disposed of only at an approved collection site in your area; do not discard in the regular trash.
- 2) Remove the Bennett trim tab cylinder from the boat transom and remove the hydraulic line at the connection. It helps to have several rags handy to soak up the oil. Remove and discard old hydraulic lines.
- 3) Disconnect the Bennett cylinder from the trim tab plane by tapping out the small black pin at the base of the cylinder where it attaches to the plane. You will first have to remove one screw from the lower bracket as this holds the pin in place. Do not remove the lower bracket, as you will need it later.
- 4) Insert the actuator cable through the appropriate hole in the upper bracket until it reaches the actuator. Insert the actuator cable through the gland seal until it reaches the upper bracket.

Note: For appropriate orientation of upper bracket and gland seal, (see Fig 1).

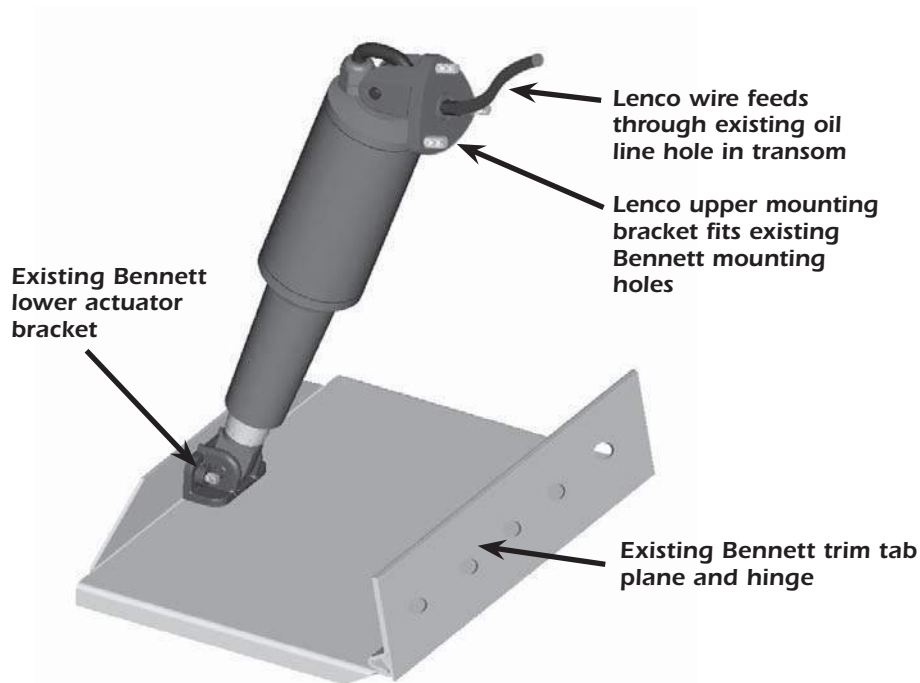
You will need to clean mounting surfaces on the transom with a cleaning solvent such as mineral spirits or alcohol to remove all oils and dirt before final mounting.

Insert the actuator cable through the transom. With the actuator loosely supported, bed the upper bracket and screws with 3M 5200 adhesive caulking. Start the provided #14 x 1-1/4" (3.17 cm) stainless steel metal screws through the upper bracket and into the transom. **MAKE SURE TO LEAVE THE SCREWS ONLY PARTIALLY INSTALLED.**

Insert the actuator clevis (mounting ear) into the top bracket and hold in the approximate installed location. Pass the actuator cable through the transom removing slack on the cable until it is snug. Remove the actuator from the upper bracket and finish installing the previously started #14 x 1-1/4" (3.17 cm) stainless steel metal screws through the upper bracket and into the transom. We



RetroFit Kit for Bennett Trim Tabs Installation Instructions



recommend using 3M 5200 adhesive caulking to bed the upper bracket and screws.
DO NOT OVERTIGHTEN.

Attach the actuator to the upper bracket using the 5/16-18 X 1-3/4" (4.45 cm) large hex head bolt and 5/16-18 (.79 cm) hex nut provided.

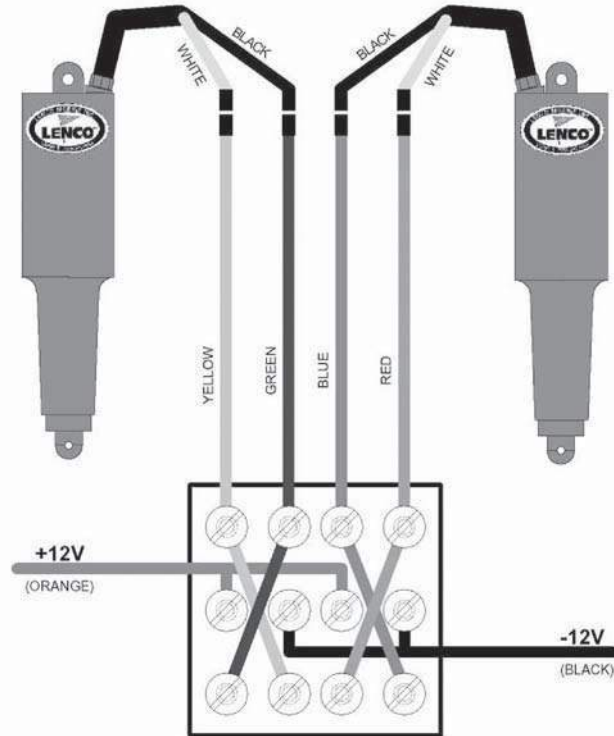
- 6) You are now ready to attach the Lenco Actuator to the blade. First insert the pin part way through the hole in the Bennett lower bracket and insert through one of the four black washers provided in the kit. Place the actuator into the bracket and tap the pin through. Continue through the second washer and other side of the bracket. Replace the bracket screw removed in step 3. This will lock the pin in place and prevent it from falling out.

- 7) Now you will need to hook up the Lenco Actuator wires inside the bilge/rigging area. First cut the wire connector from the Bennett wire harness where the pump used to be. Strip the four harness wires and connect to the four Lenco wires using the heat shrink butt splices provided in the kit. Make sure to use the proper crimping tool and then heat all connections for a tight waterproof seal. Tie-wrap or secure in some fashion to a dry location to help prevent the connectors from getting too wet. For further wiring information, see wiring instructions and diagram on next page.

Please follow the instructions and drawings carefully. Call the Lenco Service Department at 772-288-2662 for technical assistance.

RetroFit Kit for Bennett Trim Tabs Wiring Instructions

Wiring Instructions for Electric RetroFit Kit for Bennett Trim Tabs



- 1) Remove all wires and all jumpers (brass strips) on Bennett factory switch and discard.
- 2) Now find the 12-volt negative at the helm/console. Connect the black wire from the switch to this source. The Lenco system requires that a negative (-) wire be attached at the switch as per the wiring diagram. The 12-volt positive (+) should already be at the switch from the previous system. Simply reconnect it as per the wiring diagram.
- 3) Test the trim tabs for proper operation. Remember that the right switch controls the left trim tab and the left controls the right.

BOW DOWN should extend the tabs while BOW UP should retract them. If for some reason this does not work as described in the above text, recheck all the wiring for a misplaced wire. If still not fully operational, refer to the trim tab troubleshooting guide on page 7 for further instructions.

Use caution when using Lenco Trim Tabs for the first time. The response time is faster than the Bennett system.

Try small taps of the switch until you become accustomed to the new trim tabs.



Upgrading and Retrofitting

Standard Tab to Troll'n Tab

A 9x12 trim tab can be upgraded to 9x12 Troll'n Tab.

Standard Tab Blade Upgrade

For a larger trim tab blade a 9x12 blade can be retrofitted with a 12x12 blade.

Edge Mount Kit Upgrade

Since the placement of the upper bracket is lower than a standard mount, an edge mount can be retrofitted only with another edge mount trim tab.

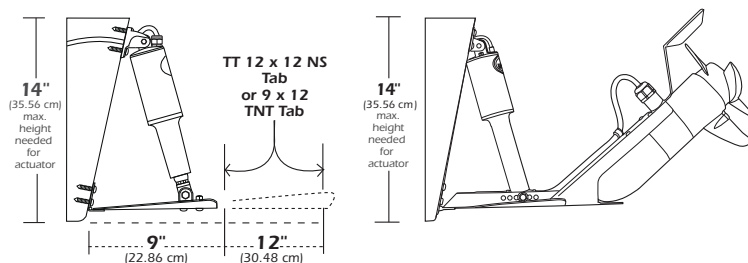
Edge Mount Tab to Troll'n Tab

A 12x12E trim tab can be upgraded to a 12x12 Troll'n Tab.

Note: In order to utilize the same mounting holes when upgrading from trim tabs to Troll'n Tabs, the trim tabs have to have been mounted with the hinges at least 3/8" (.95 cm) from transom bottom as recommended in Lenco installation instructions.

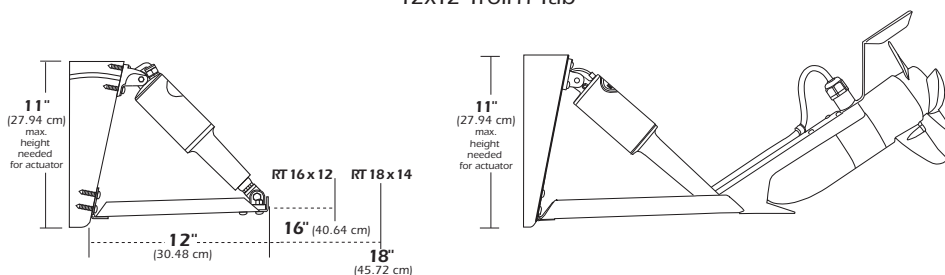
Standard Mount Kit # 15001-101 (TT 9x12 NS)

Can be upgraded to a 12" tab or a 9x12 Troll'n Tab



Edge Mount Kit #15016-101 (TT 12x12 ENS)

Can be upgraded to a 16" or 18" tab or a 12x12 Troll'n Tab



Actuators

The 101 Actuator is used in all TT & Standard kits.

101 Actuator
2 1/4" stroke
Overall length tip to tip = 12 1/8 inches

Part
#15054-001 (101-2, 12-volt, w/6' cable)
#15061-001 (101-3, 24-volt, w/6' cable)

The 101 XD Actuator is used mostly with HD, XD, High Performance & Super Strong tabs.

101 XD Actuator
2 1/4" stroke
Overall length tip to tip = 11 3/8 inches

Part
#15055-001 (101 XD-5, 12-volt, 5/16" mounting hdwr w/6' cable)
#15062-001 (101 XD-12, 24-volt, 5/16" mounting hdwr w/6' cable)
#15056-001 (101 XD-7, 12-volt, 3/8" mounting hdwr w/6' cable)
#15063-001 (101 XD-15, 24-volt, 3/8" mounting hdwr w/6' cable)

The 101 XDS Actuator is used with OEM specific kits and limited space applications, it is the shortest actuator we manufacture.

101 XDS Actuator
2 1/4" stroke
Overall length tip to tip = 10 7/8 inches

Part
#15057-001 (101 XD-4, 12-volt, 5/16" mounting hdwr w/6' cable)
#15058-001 (101 XD-11, 12-volt, 3/8" mounting hdwr w/6' cable)

The 102 XD Actuator is used with Troll'n Tab kits only.

102 XD Actuator
4 1/4" stroke
Overall length tip to tip = 12 7/8 inches

Part
#15060-001 (102 XD-2, 12-volt, w/6' cable)
#15067-001 (102 XD-3, 24-volt, w/6' cable)

The entire Lenco Actuator is fully submersible, maintenance-free and sealed for life.



Hatch Lift Warranty



Lenco Hatch Lifts carry a 2-year limited warranty from the date of original purchase.

When possible, please refer to our troubleshooting guide on our website, <http://www.lencomarine.com> prior to processing your claim with the Lenco factory.

1. Call Lenco Marine at 772-288-2662, and ask for customer service. Give the technician a brief description of the product and the problem. Once the tech determines that the product is eligible for repair or replacement, they will issue you an RMA number (Return Merchandise Authorization).

Claims will not be processed without an RMA number.

2. Return product and paperwork to Lenco Marine with the following information: name, telephone number, description of problem, proof of purchase to verify warranty. Proof of purchase and warranty info can consist of the following:
 - A. Bill of sale from place of purchase
 - B. Retail boat purchase bill of sale
3. Mark the outside of the package with the RMA number and return it to Lenco Marine Customer Service Department at 4700 SE Municipal Court, Stuart, FL 34997 for processing. Once received, our Customer Service Department will make every effort to process your return quickly. Should time restraints prohibit you from sending in the merchandise first, or you need

an immediate replacement, you will be required to secure the replacement part with a credit card prior to shipment (Visa, MasterCard, American Express, Discover). Lenco Marine ships all warranty items UPS ground. Costs for upgrades in shipping are the responsibility of the customer. Lenco Marine warranties all Hatch Lifts for a period of 2 years from the date of original purchase. If any part of a Lenco Hatch Lift fails due to manufacturing defects or workmanship within a period of 2 years from the date of original purchase, Lenco Marine will repair or replace the part(s) without charge at our discretion. No haul out, labor or miscellaneous charges are covered under this warranty. Warranty is not transferable.

Trim Tab customers please see separate warranty policy. The foregoing is in lieu of any and all other warranties, expressed or implied, including any warranty of merchantability or fitness for a particular purpose. There are no other warranties which extend beyond that set forth above. Lenco Marine reserves the right to void any warranty claim if the part is opened or repair was attempted without prior authorization from Lenco Marine.

Lenco Marine Inc.
Phone: 772-288-2662
Fax: 772-288-2566
www.lencomarine.com
4700 SE Municipal Court
Stuart, FL 34997

Hatch Lifts — Installation/Operation

Lenco Hatch Lift Installation/Operation

Due to the many different variables involved with the numerous applications for Lenco hatch lifts, installation is never the same. Here are some general guidelines that can be of assistance:

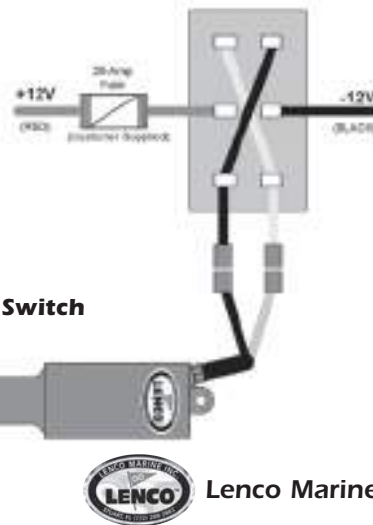
- The actuator is most powerful when it is installed vertically at 90 degrees.
- Lifting capabilities decrease the closer the upper or lower mount is located to the hinge.
- The further from a vertical position the less lifting capability. When retracted, **Do Not position hatch lift at an angle less than 45 degrees.**
- Dual actuator systems are recommended for hatches over 500 pounds (226.79 kg) of force.
- Lenco hatch lifts are designed around a ball screw that spins freely when hatch is fully open or closed.
- For installation, it is important that the hatch lift is able to disengage itself at the fully retracted position.
- The ram must be allowed to free spin at both ends of its stroke or it will continue to push or pull against any resistance potentially damaging the hatch lift or the hatch itself.
- Failure to make accurate measure could cause damage to hatch lift or the hatch itself.
- Lenco hatch lifts are fully submersible and will not drift.
- Lenco hatch lifts are offered in both 12 and 24 volts.

OPERATION

The function of the Lenco Hatch Lift system is simple. Since the hatch lift is based around a ball screw it is able to push a heavy load and remain at a constant position. To raise a load, extend the hatch lift by pressing on the upper part of the switch. To lower a load, retract the hatch lift by pressing the lower part of the switch. In case of power failure, Lenco hatch lifts are supplied with two clevis pins at the mounting brackets. To pull this pin out while the hatch is closed, you must rig it to a point outside of the hatch.

S = Short. All part numbers ending in S have the same stroke but in a 4" (10.16 cm) shorter length.

Part Number	L. O. A. Retracted	Approx. Stroke	L. O. A. Extended
HL-400	15"	4"	19"
HL-800S	21"	8"	29"
HL-800	25"	8"	33"
HL-1200S	25"	12"	37"
HL-1200	29"	12"	41"
HL-1600S	29"	16"	45"
HL-1600	33"	16"	49"
HL-2000S	33"	20"	53"
HL-2000	37"	20"	57"
HL-2400S	37"	24"	61"
HL-2400	41"	24"	65"



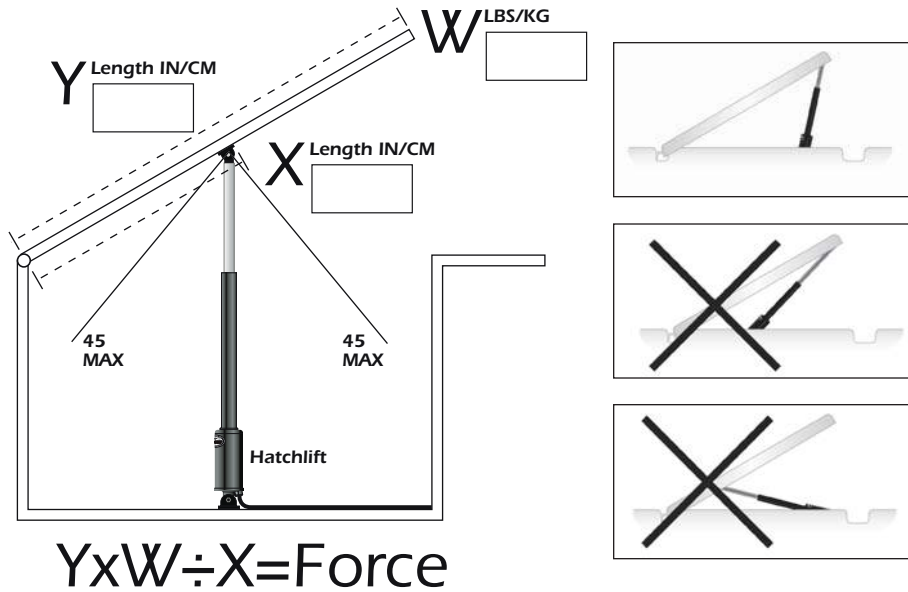
Wiring Single Rocker Switch #10225-001 (125)



Lenco Marine

Hatch Lifts — Mounting/Parts

Lenco Hatch Lift Mounting



1. Follow the chart above to figure out load on the hatch lift. Maximum load is 500 lbs. (226.79 kg)

Y = Total length of hatch

X = Length from the hinge to the hatch lift mounting point

W = Weight of the hatch to be lifted

2. Determine the angle of the hatch lift mount. Do not exceed 45 degrees from center.
3. Mount the hatch lift on the desired location as per the above instructions.

Important: It may be necessary to shim the upper or lower mounting bracket up or down so the hatch does

not bind when fully closed. The hatch lift does not stop pulling until it has reached its fully closed position. If the hatch fully closes before the hatch lift is fully retracted, it will cause damage to the lift or the mounting hardware. Shim the hatch lift with stainless washers for small amounts of length. Use Lenco part #118S for lengths greater than 1/8" (3 mm).

4. Wire to switch according to the hatch lift wiring diagram in the owners manual supplied with the hatch lift.

SYSTEM PARTS

1	Hatch Lift (electromechanical actuator)	#'s HL-400, HL-800, HL-800s, HL-1200, HL-1200S, HL-1600, HL-1600S, HL-2000, HL-2000S, HL-2400, HL-2400S
2	Mounting brackets	#50014-001 (119), #50015-001 (118)
3	Clevis pins	#60101-001 (121SS)
4	Single rocker switch	#10225-101 (125) (optional)
5	Slide bracket	#70381-001 (HLSB) (optional)

Product Summary

Standard Trim Tab Kits

- Standard trim tab kits include: two #101 actuators with extension harnesses and Deutsch connectors, two stainless steel blades, and all mounting hardware. See switch selections on page 16 for available options
- Available in standard mount and edge mount (space saver mount)
- Sizes range from 9" x 9" to 12" x 40". Measurements taken L x W



Performance Tab Kits

Standard Performance

- Standard performance tab kit includes: two #101 actuators with extension harnesses and Deutsch connectors, two 12-gauge electro-polished stainless steel blades and all mounting hardware
- Available in sizes: RT 9x9 NS, RT 9x12 NS, RT 12x9 NS, RT 12x12 NS, RT 14x12 NS, RT 16x12 NS and RT 18x14 NS

Heavy Duty Performance

- Heavy duty performance tab kit includes: two #101 XD actuators with extension harnesses and Deutsch connectors, two 12-gauge electro-polished stainless steel blades w/transom back plates and heavy duty hinge with 1/4" (.64 cm) hinge pin
- Available in sizes: RT 12x12 HDNS, RT 16x12 HDNS, RT 18x14 HDNS
- Customer supplied mounting hardware

Extreme Duty Performance

- Extreme duty performance tab kit includes: two #101 XD actuators (RT 17x12 XDNS), four #101 XD actuators (RT 19x14 XDNS & RT 24 x 14 XDNS) on two 10-gauge electro-polished stainless steel blades w/transom back plates and super duty hinge with 3/8" (.95 cm) hinge pin
- Actuator extension harnesses sold separately in choice of 5 lengths
- Customer supplied mounting hardware
- Available in sizes: RT 17x12 XDNS, RT 19x14 XDNS, and RT 24x14 XDNS

Switches: See selections on page 16 for available options

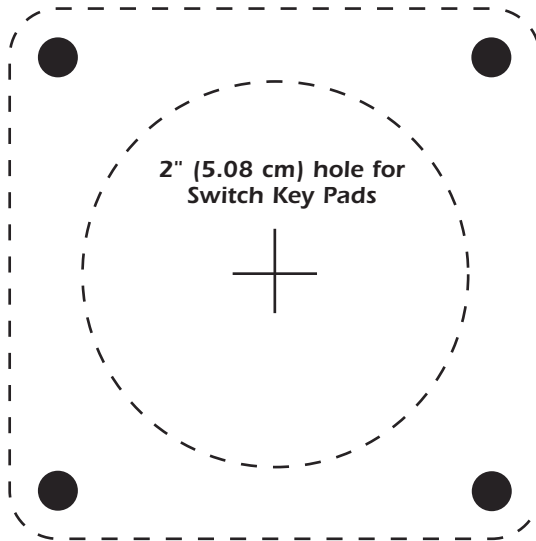


Product Summary/Switch Template

High Performance Tabs - Single & Dual Actuator

- High performance tab kit includes: two 12-volt Extreme Duty Actuators with 316 SS billet ram with 3/8" (.95 cm) SS bolts, two 7-gauge flat-304 electro-polished stainless blades.
- Full transom back plate with adjustable C-channel, 3/8" (.95 cm) bolts and super duty hinge with 3/8" (.95 cm) hinge pin
- Actuator extension harnesses sold separately in choice of 5 lengths
- Customer supplied mounting hardware
- Available in sizes: Single Actuator System: #15048-101 (14" x 12"), #15049-101 (18" x 12")
Dual Actuator System : #15050-101 (21" x 14"), #15051-101 (25" x 14")

High Performance Tabs - Single & Dual Actuator



Tactile Switch Connection

Mount control box within 30" (76.2) of keypad.
Control box wire harness is 30" (76.2) length



Switch Template

Remove the template from the owner's manual by cutting around the dashed rectangular perimeter line.

Align the 3/16" (.48 cm) drill bit with each of the four black circles and drill straight down through the helm, providing

clearance for the mounting hardware provided with the switch.

Align the centering bit of a 2" (5.08 cm) hole saw with the cross hairs in the center of the 2" (5.08 cm) dashed circular perimeter and drill straight down through the helm, providing additional clearance for switch and electrical connection.

DON'T WORRY...

we've got your back.



Lenco Marine Inc., 4700 Municipal Court ■ Stuart, Florida 34997
772-288-2662 ■ 772-288-2566 fax ■ www.lencomarine.com